

BLACKHAWK

PANZITTA SALES & SERVICE
 72 George Avenue
 Wilkes-Barre, PA 18705
 570-822-6720 800-822-6720
 www.panzittasales.com

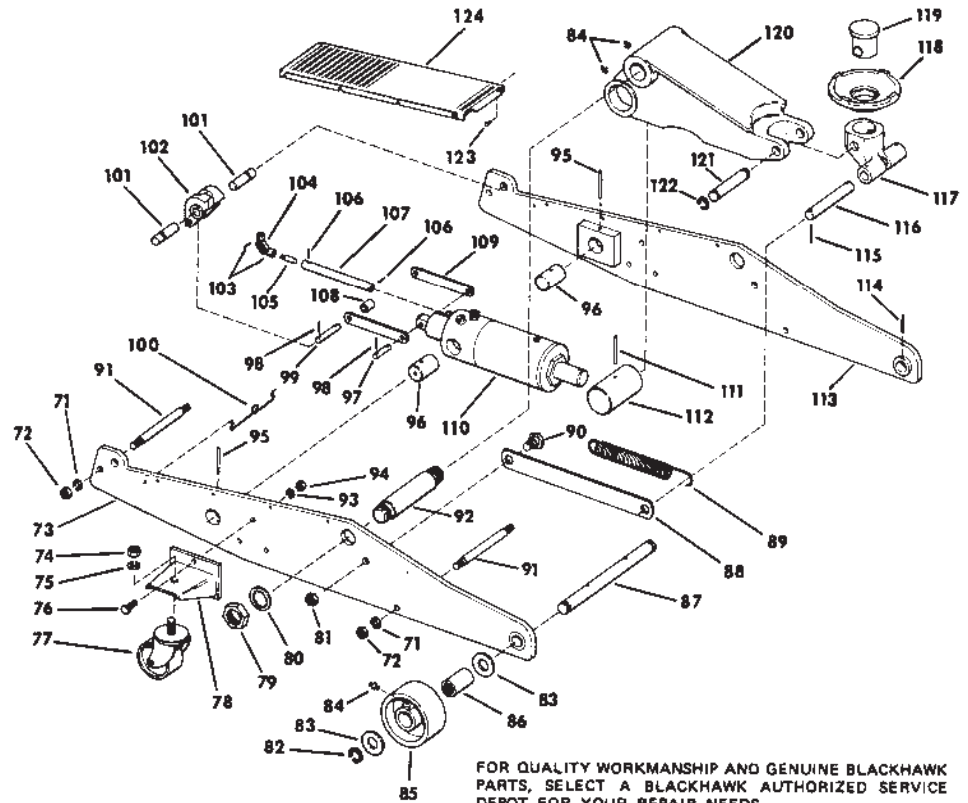
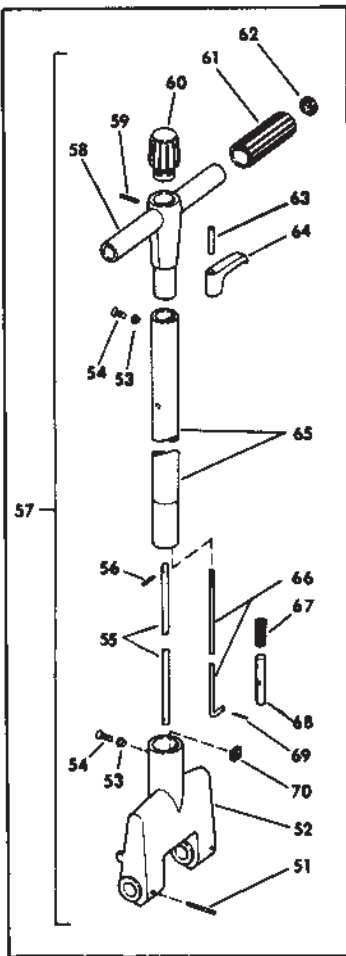
Repair Parts Information

Hydraulic Service Jack

MODEL SJ-10

Serial Code A

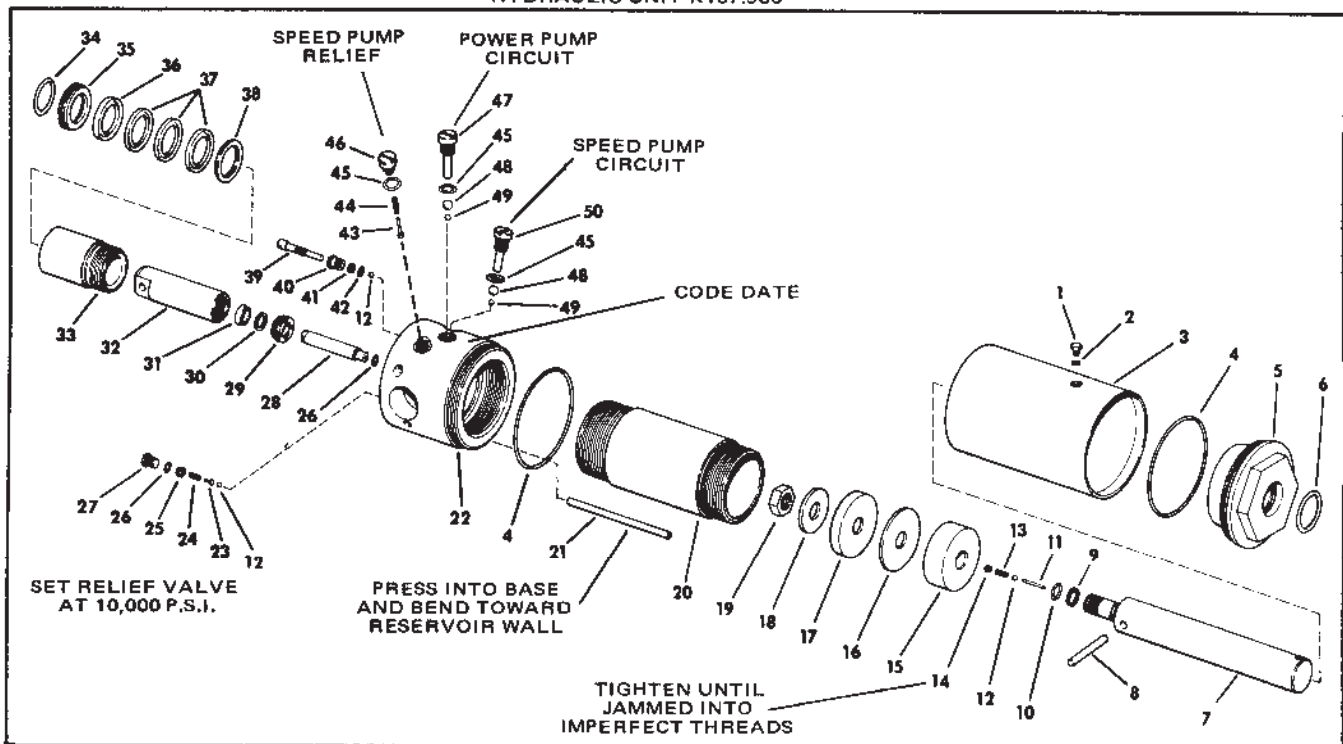
CAPACITY: 10 TON



FOR QUALITY WORKMANSHIP AND GENUINE BLACKHAWK PARTS, SELECT A BLACKHAWK AUTHORIZED SERVICE DEPOT FOR YOUR REPAIR NEEDS.

USE ONLY LX-21 JACK OIL AND GENUINE FACTORY PARTS. USE OF OTHER HYDRAULIC FLUIDS OR NON-GENUINE PARTS VOIDS WARRANTY. NEVER USE BRAKE FLUID.

HYDRAULIC UNIT K107.900



PANZITTA SALES & SERVICE
72 George Avenue
Wilkes-Barre, PA 18705
570-822-6720 800-822-6720
www.panzittasales.com

REPAIR PARTS LIST

Item No.	Part No.	No. Req.	Description	Item No.	Part No.	No. Req.	Description	Item No.	Part No.	No. Req.	Description
1	C9.22-2	1	Plug	43	K7.264	1	Valve	85	K2.106	2	Wheel
* 2	C9.37	1	Gasket	44	K6.110	1	Spring	86	K2.107	2	Bearing
3	K2.025	1	Reservoir	* 45	D144.167	3	Gasket	87	K8.104	1	Axle
* 4	K2.041	2	O-Ring	46	K6.006	1	Plug	88	K4.062	2	Link
5	K3.020	1	Cap	47	K8.008	1	Plug	89	K5.110	1	Spring
* 6	L937.041	1	O-Ring	* 48	C783.016	2	Ball, 7/16"	90	K13.028	2	Bolt
7	K3.040	1	Plunger	* 49	S1.16	2	Ball, 5/16"	91	K2.149	2	Rod (Tie)
8	K28.061	1	Pin (Hi-Limit)	50	K7.006	1	Plug	92	K19.061	1	Pin (Pivot)
* 9	K11.108	1	Wiper	51	A812.261	2	Pin	93	K244.108	6	Washer
* 10	K4.041	1	O-Ring	52	A707.133	1	Yoke	94	B776.181	6	Nut
11	D387.107	1	Rod	53	D914.108	4	Washer	95	K21.061	2	Pin
* 12	1.16	3	Ball, 7/32"	54	A953.252	4	Screw	96	K20.061	1	Pin (Trunnion)
13	D386.183	1	Spring	55	K3.149	1	Rod (Release)	97	K22.061	1	Pin (Front)
14	D369.006	1	Screw	56	D184.061	1	Pin	98	K18.58	4	Pin
15	K2.071	1	Disc	57	K4.070	1	Handle (Complete)	99	K24.061	1	Pin (Back)
* 16	K7.108	1	Wiper	58	A962.135	1	Cross	100	K2.013	1	Stabilizer
* 17	FA11.41-1	1	Cup	59	A954.058	1	Pin	101	K23.061	2	Pin (Yoke)
18	E723.108	1	Washer	60	K1.308	1	Knob	102	K1.134	1	Segment
19	EA11.120	1	Nut	61	A725.550	2	Grip	103	K31.061	2	Pin
20	K2.030	1	Cylinder	62	A726.006	2	Plug	104	K5.950	1	Universal
21	K19.268	1	Tube	63	D894.055	-	Nut	105	K9.096	1	Connector
22	K6.005	1	Base	64	A963.144	1	Lever	106	D238.061	2	Pin
23	K1.013	1	Guide	65	A763.127	1	Tube	107	K6.062	1	Extension
24	B162.206	1	Spring	66	A961.142	1	Rod (Segment)	108	K4.186	1	Spacer
25	8956.028	1	Plug	67	A768.141	1	Spring	109	K5.062	2	Link
* 26	B159.167	2	Gasket	68	A766.061	1	Pin (Segment)	110	K107.900	1	Hydraulic Unit
27	A651.006	1	Plug	69	1.58	1	Pin	111	K26.061	1	Pin
28	K4.040	1	Piston (Power)	70	SJ100.420	2	Nut	112	K25.061	1	Pin (Arm)
29	K6.055	1	Nut	71	S1.119	4	Washer	113	K35.101	1	Plate, L. H.
* 30	K15.108	1	Wiper	72	S1.120	4	Nut	114	K18.061	2	Pin (Axle)
* 31	K3.041	1	Cup	73	K34.101	1	Plate, R. H.	115	K3.061	2	Pin
32	K5.040	1	Piston (Speed)	74	J559.055	2	Nut	116	K16.061	1	Pin (Link)
33	K1.030	1	Cylinder (Pump)	75	S4.180	2	Washer	117	K8.111	1	Bracket
* 34	A730.394	1	Seal	76	K10.028	6	Bolt	118	K2.045	1	Saddle
35	A825.035	1	Nut	77	K3.154	2	Caster	119	K27.061	1	Pin (Saddle)
36	A826.043	1	Spreader	78	K7.111	2	Bracket	120	K2.103	1	Arm
* 37	D866.041	3	Cup	79	K4.065	2	Nut	121	K17.061	1	Pin (Bracket)
38	A798.043	1	Spreader	80	K9.108	2	Washer	122	K289.044	2	Ring
39	K5.010	1	Spindle	81	K5.055	2	Nut	123	H94.028	8	Screw
40	CB9.11	1	Nut	82	K52.044	2	Ring	124	K2.098	1	Cover
* 41	CB9.335	1	Wiper	83	K10.108	4	Washer	†125	LX21	72 Cu. In.	Special Oil
* 42	1.74	1	Packing	84	S4.188-2	6	Fitting	†126	AJ100.503	1	Decal (Caution)
								†127	SJ10.026X	-	Decal Kit (Model)
								*†128	SJ10X	1	Repair Kit

†Not Shown

*Items included in kit are marked with an asterisk.