

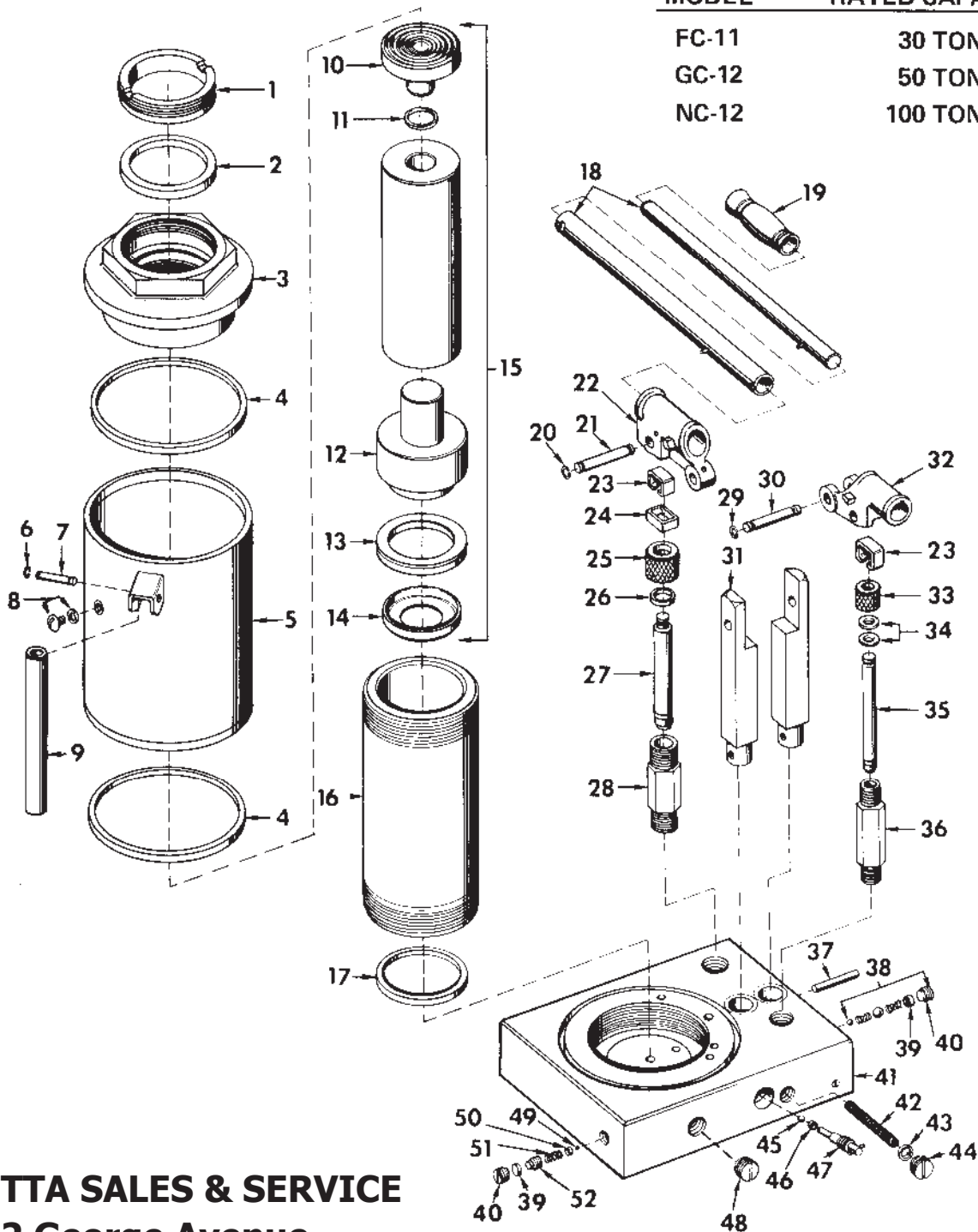
BLACKHAWK

**LIFTING
EQUIPMENT**

Repair Parts Information

Hand Jacks

MODELS FC-11, GC-12, NC-12



MODEL	RATED CAPACITY
FC-11	30 TON
GC-12	50 TON
NC-12	100 TON

PANZITTA SALES & SERVICE
72 George Avenue
Wilkes-Barre, PA 18705
570-822-6720 800-822-6720
www.panzittasales.com

PANZITTA SALES & SERVICE
72 George Avenue
Wilkes-Barre, PA 18705
570-822-6720 800-822-6720
www.panzittasales.com

PARTS LIST FOR MODELS FC-11, GC-12 AND NC-12

ITEM NO.	DESCRIPTION	NO. REQ.	FC-11	GC-12	NC-12
1	Nut	1	FC11.21	GC12.21	NC12.21
2	Packing	1	FC11.76	GC12.76	NC12.76
3	Top Nut	1	FC11.20	GC12.20	NC12.20
4	Seal	2		GC12.504	NC12.504
5	Reservoir	1	FC11.25A	GC12.25	NC12.25
6	Ring	4		K722.044	K722.044
7	Pin	2		NC12.61	NC12.61
8	Plug w/washer	1	FC11.22	NC12.22	NC12.22
9	Handle	2		NC12.93	NC12.93
10	Saddle	1	FC11.45	GC12.45	NC12.45
11	Seal	1			K723.041
12	Spacer	1	FC11.71	GC12.71	NC12.71
13	Cup	1	FC11.41	GC12.41	NC12.41
14	Retainer	1	FC11.43	GC12.43	NC12.43
15	Ram Assembly	1	FC11.40	GC12.40	NC12.40A
16	Cylinder	1	FC11.30	GC12.30	NC12.30
17	Seal	1	FC11.511	K724.041	NC12.511
18	Handle w/grip	1	FC11.70	FC11.70	FC11.70
19	Grip	1	K725.550	K725.550	K725.550
20	Ring	4	K726.044	K726.044	K726.044
21	Pin	2	NC12.57	NC12.57	NC12.57
22	Socket	1	NC12.60S	NC12.60S	NC12.60S
23	Clip	2	K727.017	K727.017	K727.017
24	Sleeve	1	NC12.56	NC12.56	NC12.56
25	Nut	1	NC12.54S	NC12.54S	NC12.54S
26	Packing	1	NC12.75S	NC12.75S	NC12.75S
27	Piston	1	NC12.51S	NC12.51S	NC12.51S
28	Cylinder	1	NC12.50S	NC12.50S	NC12.50S
29	Ring	2	K728.044	K728.044	K728.044
30	Pin	1	K729.061	K729.061	K729.061
31	Post	2	FC11.62	GC12.62	NC12.62
32	Socket	1	NC12.60P	NC12.60P	NC12.60P
33	Nut	1	NC12.54P	NC12.54P	NC12.54P
34	Packing	2	NC12.75P	NC12.75P	NC12.75P
35	Piston	1	NC12.51P	NC12.51P	NC12.51P
36	Cylinder	1	NC12.50P	NC12.50P	NC12.50P
37	Pin	1	K730.061	K730.061	K730.061
38	Valves	2	K731.016	K731.016	K731.016
39	Seal	3	NC12.329	NC12.329	NC12.329
40	Plug	3	NC12.185	NC12.185	NC12.185
41	Base w/valves	1	FC11.05A	GC12.05A	NC12.05A
42	Strainer	1	FC11.18	GC12.18	NC12.18
43	Gasket	1	K732.167	K732.167	K732.167
44	Plug	1	NC12.150	NC12.150	NC12.150
45	Ball	2	E14.16	E14.16	E14.16
46	Packing	2	NC12.74	NC12.74	NC12.74
47	Release Screw	2	NC12.10A	NC12.10A	NC12.10A
48	Gage Plug	1	NC12.245	NC12.245	NC12.245
49	Ball	1	P208.16	P208.16	P208.16
50	Safety Valve Cap	1	NC12.274	NC12.274	NC12.274
51	Spring	1	NC12.206	NC12.206	NC12.206
52	Adjusting Screw	1	NC12.232	NC12.232	NC12.232
53	Decal (Repair)	1	D791.026-1	D791.026-1	D791.026-1
54	LX21 Oil		58 Cu. In.	116 Cu. In.	174 Cu. In.
55	Repair Kit		FC11X	GC12X	NC12X

NOTE: Orders for parts cannot be filled unless both model and serial number with prefix imprinted on nameplate are given.