



Lifting Equipment

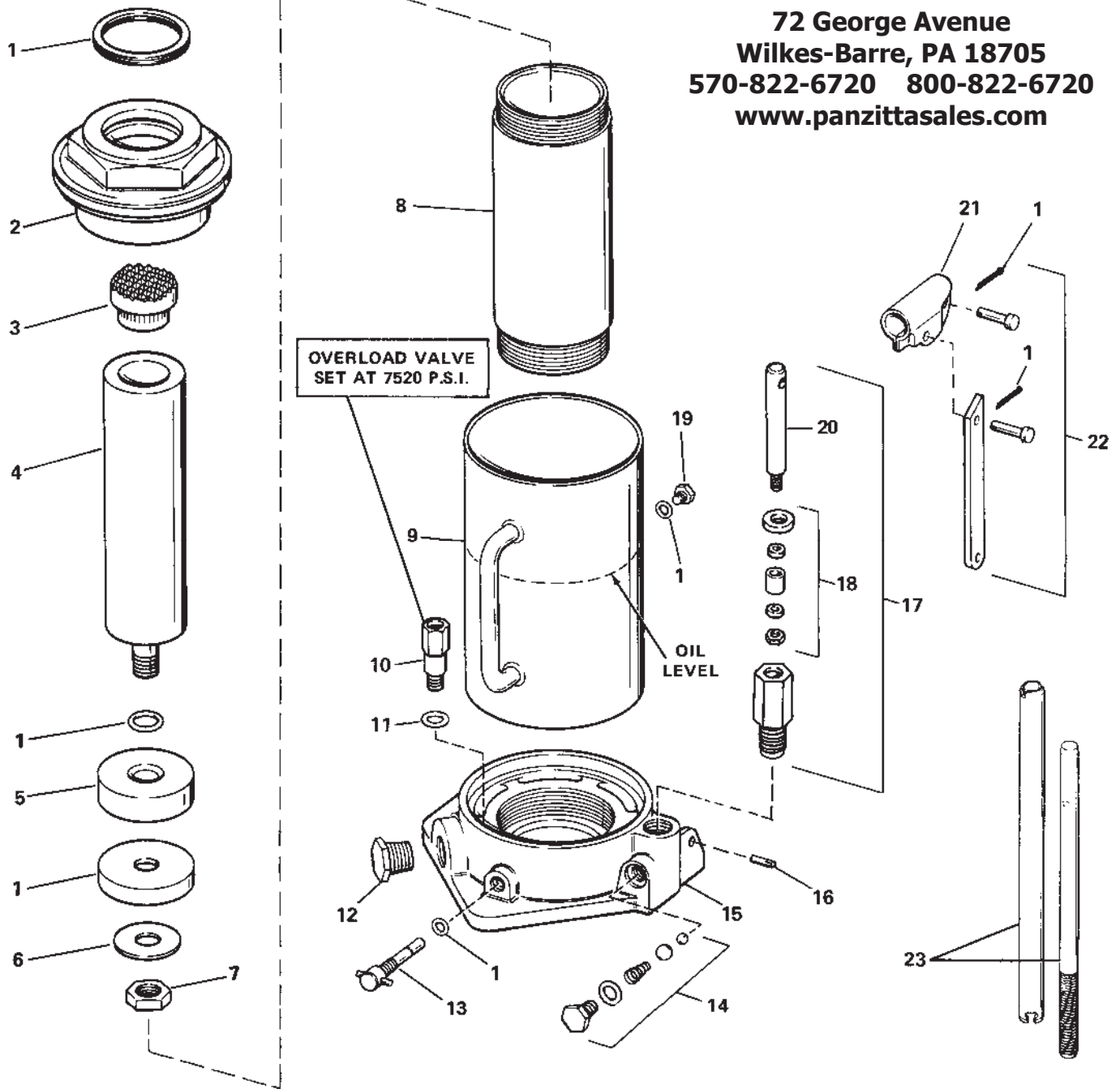
Automotive Product Service Division

MODEL AMERICAN AFA-11C
BLACKHAWK FA11-D

ISSUED JULY 8, 1974
SUPERSEDES BLACKHAWK FA-11-B, C
and D

HAND JACK
CAPACITY: 30 TON

PANZITTA SALES & SERVICE
72 George Avenue
Wilkes-Barre, PA 18705
570-822-6720 800-822-6720
www.panzittasales.com



ADDING OIL
Remove plug (19) and add
oil to indicated level.

PANZITTA SALES & SERVICE
72 George Avenue
Wilkes-Barre, PA 18705
570-822-6720 800-822-6720
www.panzittasales.com

REPAIR PARTS LIST

Item No.	Part No.	No. Req.	Description
1	FA11X1	1	Repair Kit*
2	E716020	1	Cap
3	NJ100010	1	Saddle
4	E712040	1	Plunger
5	FA1171	1	Disc
6	E723108	1	Washer
7	NJ100012	1	Nut
8	E715030	1	Cylinder
9	E719025	1	Reservoir
10	P181190-2	1	Valve (Safety)
11	B159167	1	Gasket
12	P5245-1	1	Plug
13	AJ10086	1	Release Valve
14	U30X4	1	Valve Kit
15	J443005	1	Base
16	K494061	1	Pin (Base)
17	K584900	1	Pump (Complete)
18	U30X3	1	Pump Kit
19	AJ100060	1	Plug (Filler)
20	K585040	1	Piston
21	AJ100064	1	Beam
22	K491900	1	Beam w/Link and Pins
23	H-12	1	Handle
†24	LX21	1	Jack Oil
	(Jack Oil is Available in Quart, Gallon and 5 Gallon Cans)		
†25	FA100L	1	Gage
†25	K7096	1	"L" Fitting
26	FA11026X	1	Decal Kit (Pak of 1)
*27	FA11X1	1	Repair Kit
28	820-20023	1	Repair Part Sheet

†Not shown
 *Repair kit contains cups, O-rings and gaskets