

PANZITTA SALES & SERVICE
72 George Avenue
Wilkes-Barre, PA 18705
570-822-6720 800-822-6720
www.panzittasales.com

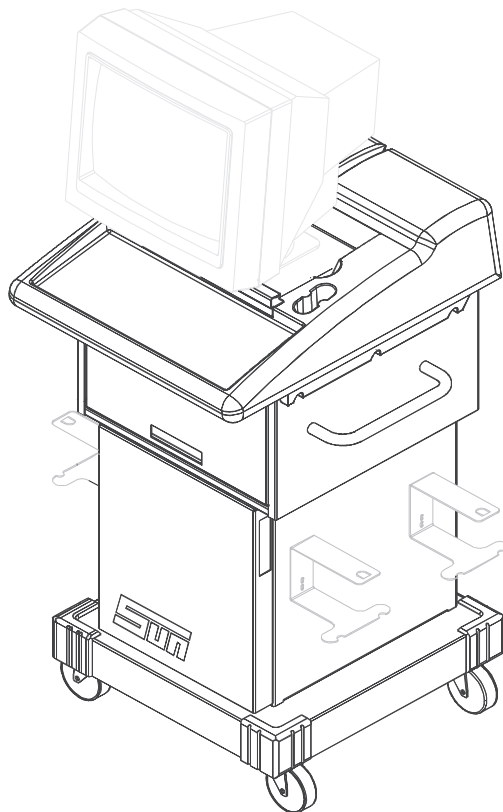


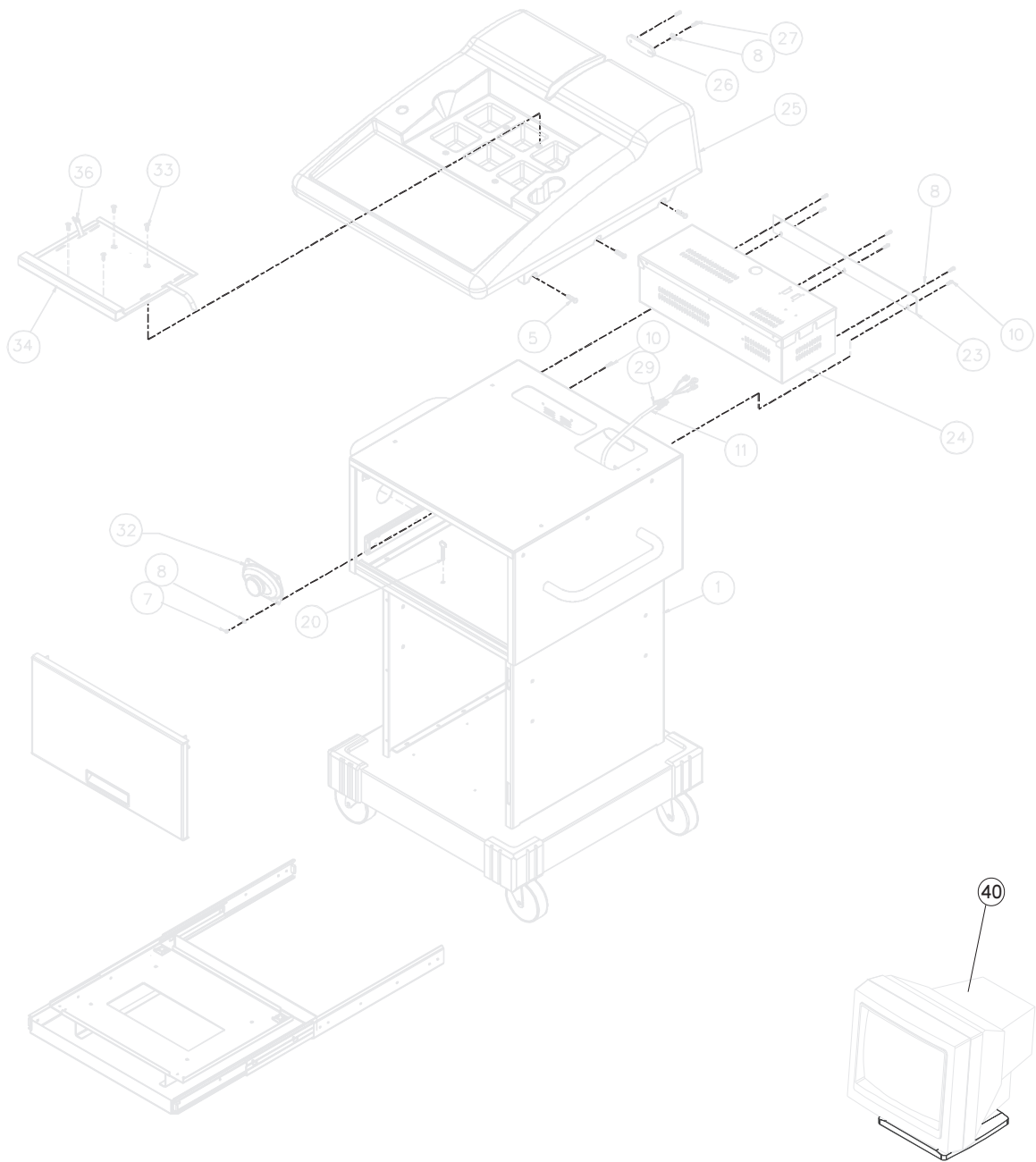
Parts Reference

MODELS

EE WA106A, EE WA109B

EE WA108, EE WA109





PANZITTA SALES & SERVICE
72 George Avenue
Wilkes-Barre, PA 18705
570-822-6720 800-822-6720
www.panzittasales.com

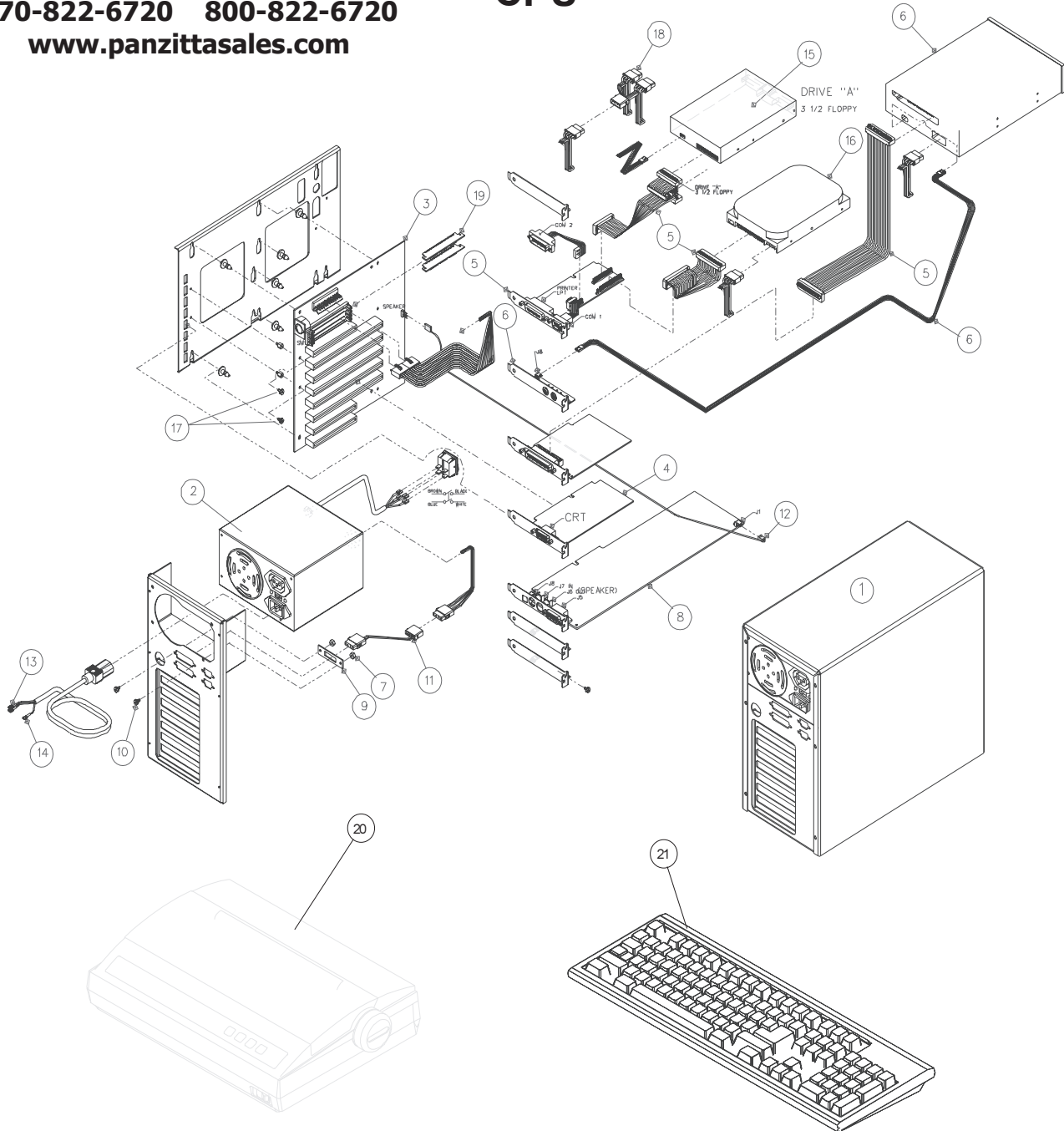
Sun Aligner Lower Cabinet Assembly - 88247

<u>REF NO.</u>	<u>QTY.</u>	<u>PART NO.</u>	<u>DESCRIPTION</u>
1	1	00088315000	Cabinet Assembly - Sun PC Aligner
2	2	00088236000	Bracket - Wheelclamp Support
3	4ft	01122307000	Trim - Locking, 3/16 (2 PCS @ 24" Each)
4	1.53ft	01122307000	Trim - Locking, 3/16 (4 PCS @ 4.75 Each)
5	14	01177999000	Screw - BHC, 1/4 - 20 X 1.0
6	2	01187287000	Washer - Flat, #6
7	4	01181298000	Nut - KEPS, #8 - 32
8	12	00061746000	Washer - Flat, #8 Black
9	1	00088237000	Cover - Back PC Access
10	20	01101883000	Screw - Self Tap, 8 - 32 X 3/8
11	1	00088246000	Power Strip Assembly
12	2	01101479000	Nut - KEPS, 10 - 24
13	2	01103959000	Washer - Flat #10
14	2	01101645000	Screw - BHS - 10 - 24 X .75
15	8	01101540000	Nut - KEPS, 1/4 - 20
16	1	00088232000	Support - PC, Bottom
17	2	00088265000	Stop - Side PC
18	1	00088264000	Stop - Front PC
19	2	01122051000	Stud - Cinch, 6 - 32 - X .50
20	2	01122313000	Screw - Thumb, 1/4 - 20 X 2.0
21	2	01101760000	Nut - KEPS, 6 - 32
22	6	00061278000	Tie - Cable
23	1	00088244000	Bracket - Support
24	1	00088289000	Interconnect Box Assembly
25	1	00088165000	Keyboard Shelf for PC Aligner - EE WA101A
26	1	00088152000	Restraint - Cable
27	2	01122289000	Screw - Self Tap, 8 - 18 X 1.50
28	4	01101884000	Screw - HWH, #8 - 32 X .75
29	1	00111193000	Clamp - Strain Relief
30	8	01100254000	Washer - Flat, .25 Zinc
32	1	00085638000	Speaker Assembly
33	4	01101835000	Screw - FHMS, 1/4 - 20 X .50
34	1	00088254000	Clamp - CRT Sun
35	1ft	63096001000	Trim - Flexible
36	1	01122312000	Strap - Cinch, 24"
38	1	00088350000	Decal - Sun, 3 X 8
39	1	00088351000	Label - Electrical/Serial
40	1	00111891000	14" Color Monitor

PANZITTA SALES & SERVICE
72 George Avenue
Wilkes-Barre, PA 18705
570-822-6720 800-822-6720
www.panzittasales.com

PANZITTA SALES & SERVICE
72 George Avenue
Wilkes-Barre, PA 18705
570-822-6720 800-822-6720
www.panzittasales.com

CPU



Windows® , Software and Accessories

86793	Software - Microsoft DOS 6.2 & Windows 3.11
88365	Software - Sun CD Alignment Software
86798	Light Pen Ass'y
86693	Mouse Kit
86694	Track Ball Kit
86696	Track Pad Kit
86803	Shelf - Mouse

Computer Tower Assembly

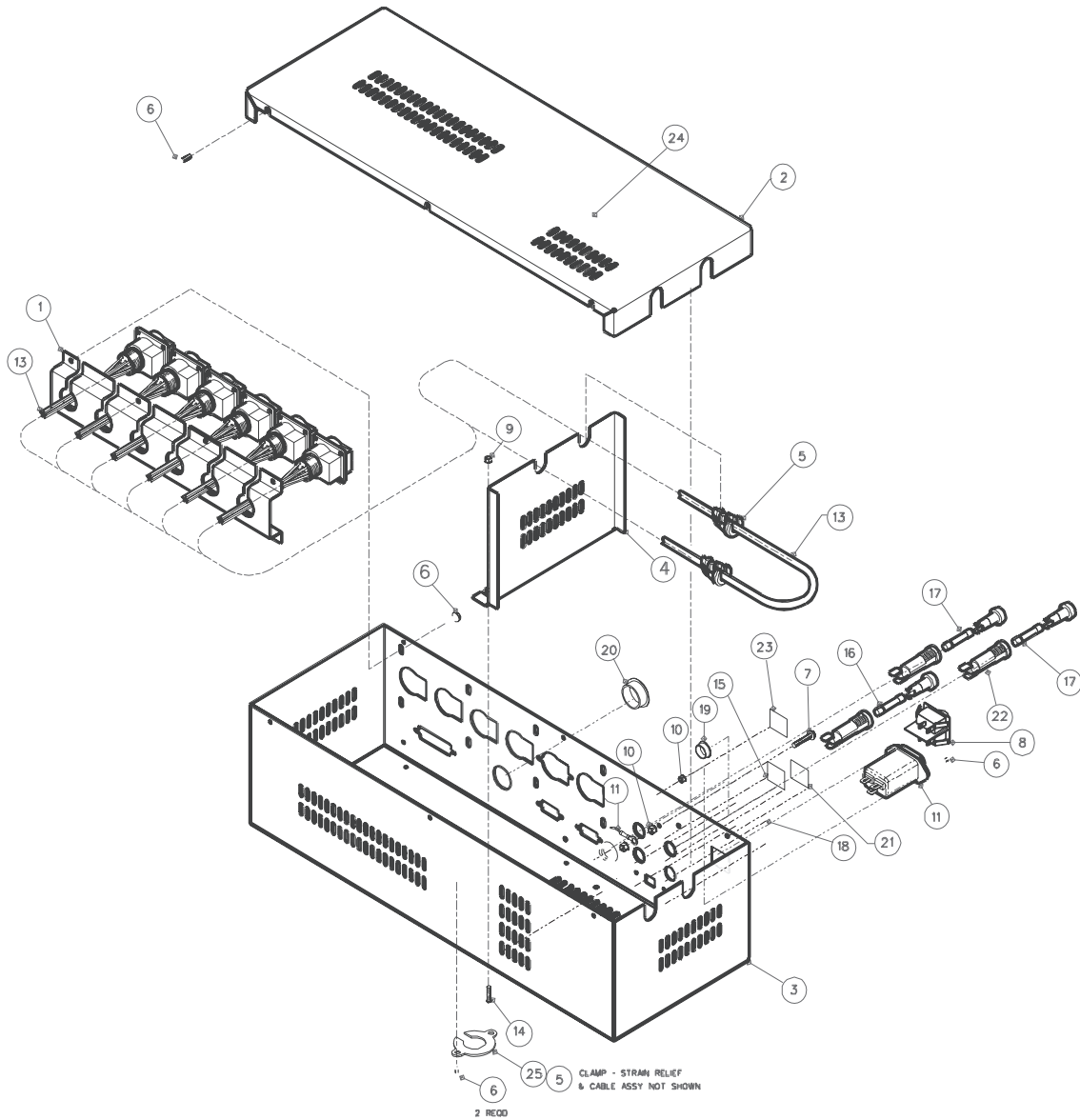
REF NO.	PART NO.	DESCRIPTION
1	00085530000	Case Assy. Mini-tower w/power supply
2	00085529000	Power Supply
3	00086357000	Main CPU - Motherboard with cache memory installed
4	00085528SVC	Controller VGA
5	00085527SVC	IDE Controller card
6	00086865000	Drive, CDROM
7	01101760000	Nut, KEPS #6-32
8	00085501SVC	Controller Assy. Head Interface (HIB)
9	00085549000	Bracket, 12VDC Connector - Holds cable 85377 below
10	01101532000	Screw, #6-32x3/8" Pan Head
11	00085377000	Power Supply Cable assembly - Three wire used on all units, feeds interface
12	00085663000	Cable Assy, Audio feed harness from mother board to HIB
13	01101594000	Terminal, Female 18-22 AWG wire
14	01101616000	Terminal, #8 Ring 16-22 AWG wire
15	00086016000	Drive, Floppy 1.44Meg. 3.5"
*	00085591000	Cover, Floppy Slot
16	00085532SVC	Hard Disk Drive, IDE
17	01122049000	Screw, Self tap #6-32x3/8"
18	00085737000	Power Splitter 3.5" floppy
19	00085334000	8 Meg Simm Memmory Module - 72 Pin
	00088200000	2 Meg Simm Memmory Module - 72 Pin
	00085333000	4 Meg Simm Memmory Module - 72 Pin
20	00084336000	Printer - Bare
	00088292000	Printer Kit - Includes Interconnect Cable and 500 sheets paper
	00083055000	Printer Interconnect Cable - Goes between CPU and Printer
21	00085569000	Keyboard - Bare
	00088312000	Keyboard Kit - Includes keyboard, decals and extension cable below
*	00088311000	Function Key Decal for Sun PC Keyboard (EEWA101A)
*	00085594000	Keyboard Cable Extension
*	00085639000	Power Cord (115V)
*	00088246000	Power Strip - Mounted inside lower cabinet
**	00086796000	Glide Point - Only
**	00086797000	Track Ball - Only
**	00086798000	Light Pen - Only
**	00086799000	Track Pad - Only
**	00086693000	Mouse Kit - Only
**	00088365000	Sun CD Software Kit

* Not Shown

** See Facing Page for Kit Numbers

PANZITTA SALES & SERVICE
72 George Avenue
Wilkes-Barre, PA 18705
570-822-6720 800-822-6720
www.panzittasales.com

Sun PC Aligner EEWA101A Interconnect Box Assembly - 88289



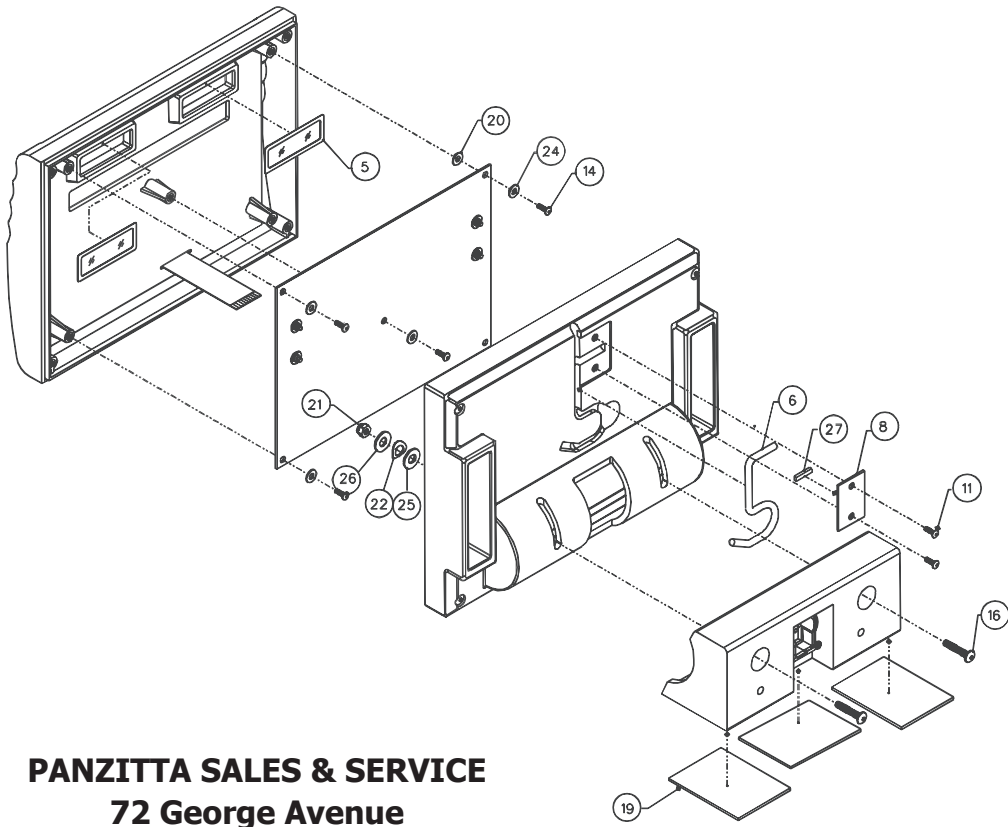
PANZITTA SALES & SERVICE
72 George Avenue
Wilkes-Barre, PA 18705
570-822-6720 800-822-6720
www.panzittasales.com

PC Aligner Interconnect Box Assembly - 88289

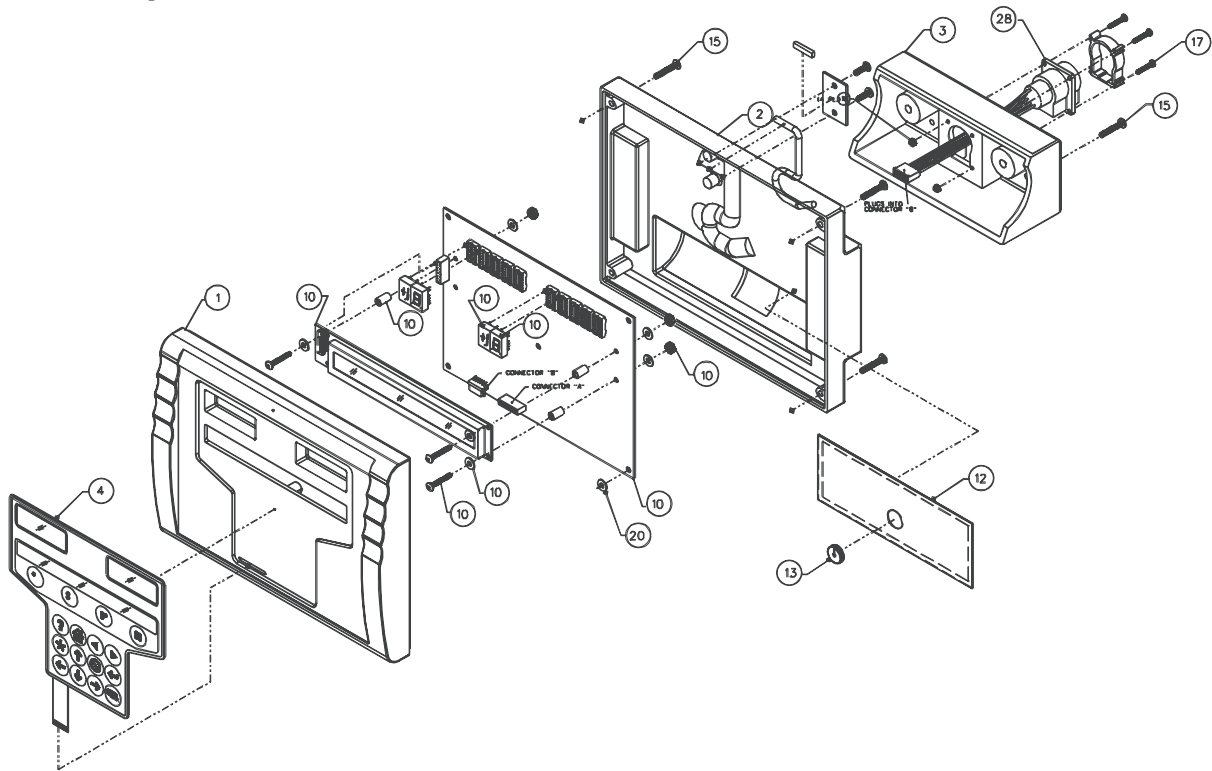
REF		PART	
<u>NO.</u>	<u>QTY.</u>	<u>NO.</u>	<u>DESCRIPTION</u>
1	1	00085665000	Panel - Connector, Interconnect Box
2	1	00088268000	Panel - Top
3	1	00088267000	Panel - Bottom
4	1	00085669000	Panel - Divider, Interconnect Box
5	3	00085670000	Clamp - Strain Relief
6	18	01101883000	Screw - Self Tap, #8 - 32 X 3/8
7	1	00083558000	Screw - Ground, #8 - 32
8	1	00083048000	Switch - ON/OFF
9	2	01101760000	Nut - KEPS, #6 - 32
10	5	01181298000	Nut - KEPS, #6 - 32
11	1	00085331000	Cable Assembly - Power
12	1	00088279000	Cable Assembly - Main Fuses/Switch
13	1	00088287000	Cable Assembly - HIB/Interconnect
14	2	01122051000	Stud - Press in, #6 - 32 X .50
15	1	00088270000	Label - Fuse Holder, 8 AMP
16	1	00074208000	Fuse - Fast Blow, 3 AMP 250Volt
17	2	00074120000	Fuse - Slow Blow, 8 AMP 250Volt
18	1	00086164000	Label - Fuse
19	1	01122318000	Plug - Doubled
20	1	01122319000	Plug - Hole Dome
21	1	00088271000	Label - Fuse Holder, 3 AMP
22	3	00085547000	Holder - Fuse Panel Mount
23	1	01116310000	Label - Frame or Chasis Terminal
24	1	00086465000	Label - Warning Shock Hazard
25	1	00088172000	Plate - Cover, Power Cord
26	2	01110594000	Screw - RHMS, #4- 40 X 3/16

NOTES: Cables 11-13 Omitted to Clarify Illustration

PANZITTA SALES & SERVICE
72 George Avenue
Wilkes-Barre, PA 18705
570-822-6720 800-822-6720
www.panzittasales.com



PANZITTA SALES & SERVICE
72 George Avenue
Wilkes-Barre, PA 18705
570-822-6720 800-822-6720
www.panzittasales.com



Remote Display Assembly

REF		PART	
<u>NO.</u>	<u>QTY.</u>	<u>NO.</u>	<u>DESCRIPTION</u>
1	1	00086035RED	Bezel, Front Remote
2	1	00086036RED	Panel, Rear Remote
3	1	00086037RED	Pivot, Base Remote
4	1	00088159000	Switch, Membrane - Remote
5	2	00086179000	Window, LED - Remote
6	1	00086180000	Hook, Remote
8	1	00086183000	Plate, Cover - Hook
9	2	01101740000	Screw - #8 - 32, BHS
10	1	00086185000	PCB Assembly - Remote
12	1	00086262000	Cover - Seal , Remote
13	1	01122121000	Grommet
14	5	01101554000	Screw, #8 - 32 x .38 BHS
15	4	01122106000	Screw, #8 - 32 x 1.0 BHS
16	2	01101777000	Screw, 1/4 - 20 x 1.25 BHS
17	4	01115607000	Screw, # 4 - 40 x .75, Pan Head Phillips Recess
18	4	01122109000	Nut, KEPS, # 4 - 40
19	3	00086261000	Magnetic Strip - Remote
20	5	01122122000	Washer - Flat Nylon - .17 ID x .38 OD x .13
21	2	01101609000	Nut - Elastic Stop, 1/4 - 20
22	2	01122110000	Curved Spring Washer, .270 ID x .5 OD x .01 THK
23	1	00083327000	Receptacle Support
24	5	01122107000	Washer - Flat Nylon - .17 ID x .38 OD x .03
25	2	01122108000	Washer - Flat Nylon - .32 ID x .50 OD x .13
26	2	01107381000	Washer - Flat Steel - .28 ID x .63 OD x .06
27	.04ft	00985268000	Strip - Seal, .06 x .25
28	1	00083113000	Cable Assembly Interconnect
*	1	00085617000	Cable - Interconnect Box to Remote - 33ft.

* Not Shown

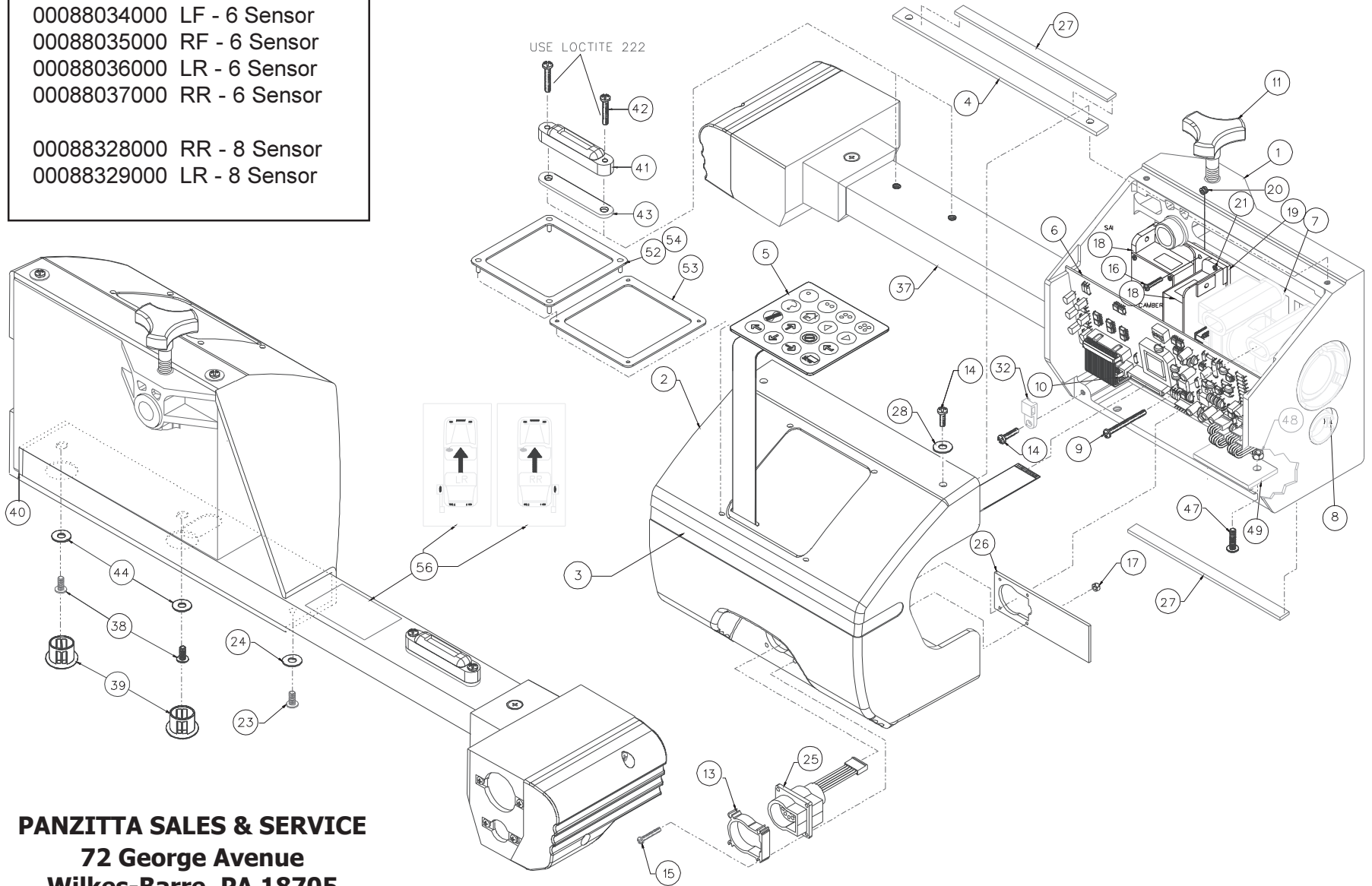
PANZITTA SALES & SERVICE
72 George Avenue
Wilkes-Barre, PA 18705
570-822-6720 800-822-6720
www.panzittasales.com

Complete Head Assemblies:

00088034000 LF - 6 Sensor
 00088035000 RF - 6 Sensor
 00088036000 LR - 6 Sensor
 00088037000 RR - 6 Sensor

00088328000 RR - 8 Sensor
 00088329000 LR - 8 Sensor

Page 10



PANZITTA SALES & SERVICE
72 George Avenue
Wilkes-Barre, PA 18705
570-822-6720 800-822-6720
www.panzittasales.com

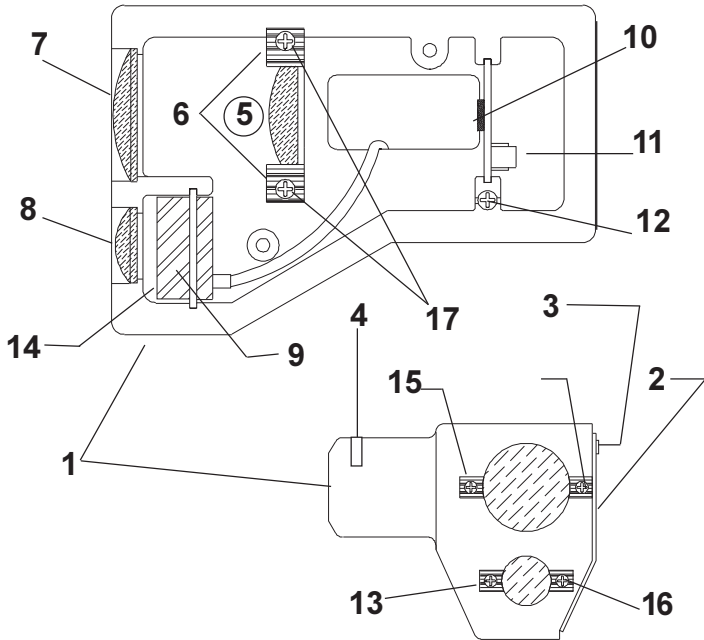
Optical Head Assembly

REF NO.	QTY.	PART NO.	DESCRIPTION
1	1	00088330000	Head Housing with bushing - RF
	1	00088331000	Head Housing with bushing - LF
	1	00088332000	Head Housing with bushing - RR
	1	00088333000	Head Housing with bushing - LR
2	1	00088025000	Head Cover - LF, RR (8 Sensor)
	1	00088026000	Head Cover - RF, LR (8 Sensor)
	1	00088027000	Head Cover - LR - 6 Sensor
	1	00088028000	Head Cover - RR - 6 Sensor
3	1	00088168000	Black Stripe - LF, RR
	1	00088169000	Black Stripe - RF, LR
4	1	00088362000	Plate - Gap, Sun
5	1	00088029000	Keypad - Membrane, Sun
6	1	00086254000	PCB Assembly, V Series
7	3	00083615000	Grommet - Optics Module
8	1	00083825000	Optics Assembly - Track Toe - LR & RR
	1	00083826000	Optics Assembly - Track Toe - LF & RF
9	3	01101965000	Screw - PHMS, #10 - 24 x 2 1/4 ZN
10	1	00083140000	Cable Assembly - LED Drive
11	1	00083258000	Screw Assembly - Clamp Head Lock
13	1	00083327000	Support - Receptacle
14	6	01122322000	Screw - PHMS, #10 - 32 x 3/8
15	4	01122323000	Screw - PHMS, 4 - 40 x 1.0
16	3	01101533000	Screw - PHMS, #8-32 X 3/8 PHL
17	4	01122109000	Nut - KEPS, #4-40 CD/ZN
18	2	00085792000	Inclinometer Assembly
19	1	00084346000	Plate, Mount for Inclinometer
20	3	00080267000	Grommet, Rubber
21	4	01101689000	Screw - PHMS, #6 - 32 X 1/4 PHL
23	1	01177619000	Screw - BHCS, 1/4 - 20 X 1/2 HS
24	1	01101930000	Washer - Flat, 1/4 Black Oxide
25	1	00083113000	Cable Assembly - Head
26	3	00088310000	Weight, Counter Balance
27	1.34 FT	00985268000	Seal Strip, 1/16 X 1/4
28	4	00061746000	Washer
32	2	01122259000	Mount - Cable Tie
33	2	00061278000	Cable Tie - Not Shown
37	1	00088040000	Boom Tube Assembly - Includes Cross Toe Optics - RF & LR (8 Sensor)
	1	00088039000	Boom Tube Assembly - Includes Cross Toe Optics - LF & RR (8 Sensor)
	1	00088441000	Bare Boom Tube Only with Nutserts - Sun - Black
38	2	01187795000	Screw - BHCS, 5/16 - 18 X 1/2 HS
39	2	00083834000	Plug, Hole, Black Nylon
40	.34 Ft	000985271000	Strip, Seal, 1/4" X 1"
41	1	00086159000	Vial, Level - Black
42	2	01101731000	Screw - PHMS, #6 - 32 X 5/8 PHL BL
43	1	00086160000	Gasket - Vial, Black Rubber
44	2	01100255000	Washer - Flat, 5/16 7/8 OD X 3/8
47	1	01115850000	Screw - RHMS, #10 - 24 X 1 3/4 PHL
48	1	01101479000	Nut - KEPS, #10 - 24 UNC - 2B CD/ZN
49	7	00085495000	Counter Weight - All Sun Heads with Boom Tubes
	3	00088310000	Counter Weight - Head, Rear 6 Sensor
52	1	00088369000	Frame Assembly - Key pad
53	1	00088368000	Gasket - Frame
54	4	01101760000	Nut - KEPS, #6 - 32 UNC-2B CD/ZN
56	1	00086851000	Label, Boom Tube - Left Rear 8 Sensor
	1	00086852000	Label, Boom Tube - Right Rear 8 Sensor

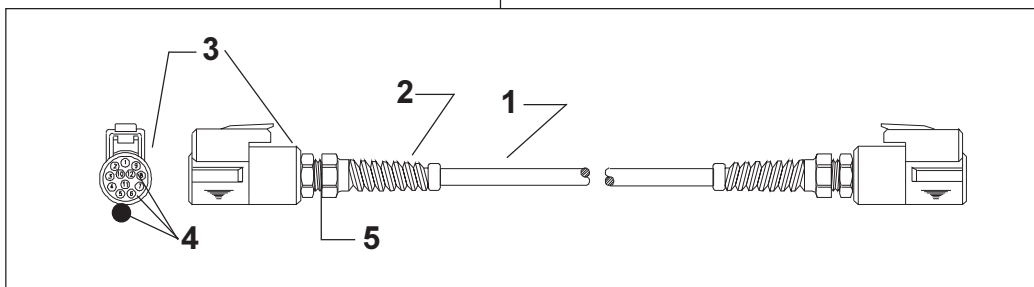
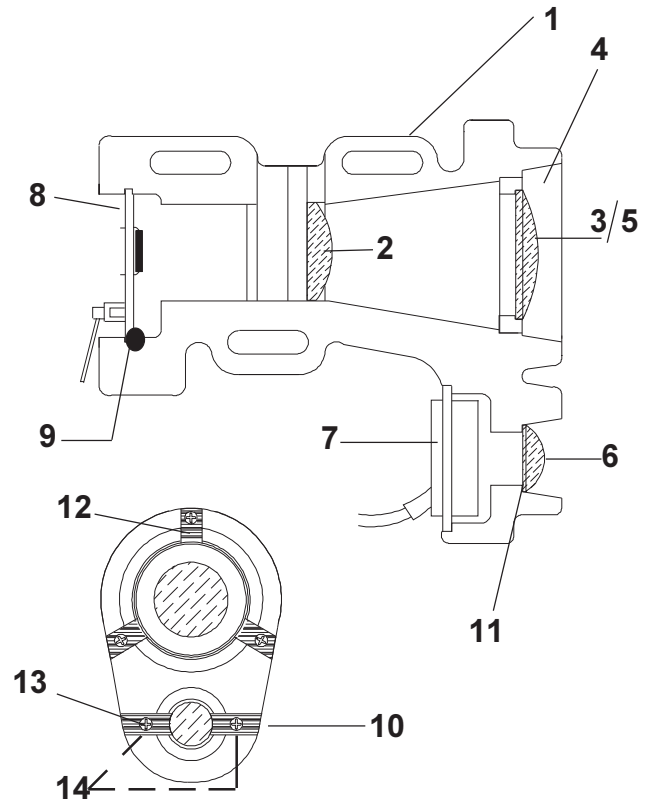
PANZITTA SALES & SERVICE
72 George Avenue
Wilkes-Barre, PA 18705
570-822-6720 800-822-6720
www.panzittasales.com

Optic Modules and Cable Assembly

Cross Toe



Track Toe



PANZITTA SALES & SERVICE
72 George Avenue
Wilkes-Barre, PA 18705
570-822-6720 800-822-6720
www.panzittasales.com

PANZITTA SALES & SERVICE
72 George Avenue
Wilkes-Barre, PA 18705
570-822-6720 800-822-6720
www.panzittasales.com

Optics Modules

Cross Toe Module

<u>REF</u>	<u>PART</u>	<u>DESCRIPTION</u>
<u>NO.</u>	<u>NO.</u>	
1	00083822000	Lens Housing Projector RH
	00083821000	Lens Housing Projector LH
2	00086943000	Projector Housing Cover RF & LR (8 Sensor)
	00086944000	Projector Housing Cover LF & RR (8 Sensor)
3	01101825000	Screw, 8-18x3/4" CSK (2 used)
4	01101835000	Screw, 1/4-20x1/2" Black Oxide
5	00063031000	Lens, Plano, Collumating
6	00084975000	Retainer, Collumating Lens
7	00082134000	Lens Projection (cross & rear)
8	00063019000	Lens, Receiver
9	00083157000	PCB Assy., Receiver
10	00083154000	PCB Assy., LED Array
11	00083141000	Cable Assy, LED Array
12	01101789000	Screw, LED Array Holding 8x1/2"
13	00085541000	Clip, Photocell Retaining
14	00083131000	Gasket
15	00083816000	Clip, Lens Retaining (3 Used)
16	01115725000	Screw, Receiver Lens Retaining
*	01101760000	Hex Nut #6-32 (Receiver Lens Retainer)
17	01122049000	Screw, Projector Retaining (6 Used)

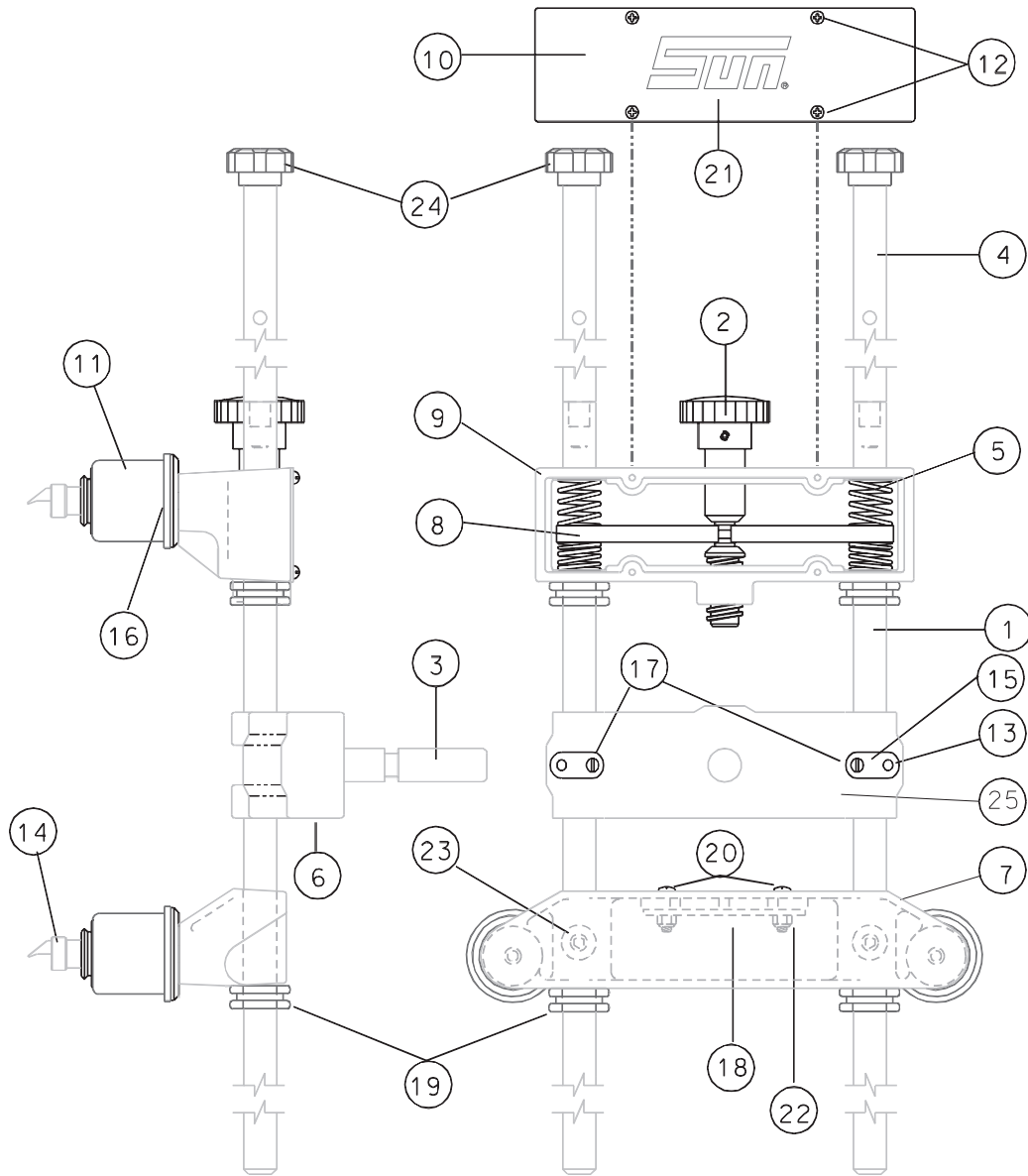
Track Toe Module

<u>REF</u>	<u>PART</u>	<u>DESCRIPTION</u>
<u>NO.</u>	<u>NO.</u>	
1	00083820000	Optics Module
2	00063031000	Lens, Plano, Cylindrical
3	00082159000	Lens, Prism (Tri Lens)
4	00083130000	Lens Housing Track Toe (rear only)
5	00082134000	Lens Projection (cross & rear)
6	00063019000	Lens, Receiver
7	00083153000	PCB Assy., Receiver
8	00083154000	PCB Assy., LED Array
9	01101789000	Screw, LED Array Holding 8X1/2"
10	00085541000	Clip, Photocell Retaining
11	00083131000	Gasket
12	00083818000	Clip, Lens Retaining (5 Used)
13	01115725000	Screw, Receiver Lens Retaining
14	01101760000	Hex Nut #6-32 (Receiver Lens Retainer)
*	01122049000	Screw, Projector Retaining (3 Used)

Cable Assembly (85617)

<u>REF</u>	<u>PART</u>	<u>DESCRIPTION</u>
<u>NO.</u>	<u>NO.</u>	
1	00085676000	Cable 4 Conductor (33.3')
2	00081121000	Flex Fitting (Less nut)
3	00083194000	Connector Plug, 12 pin
4	00070877000	Contact Socket (8 used)
5	00083319000	Sleeve (2 Used)

Wheel Clamp Assembly - 86296
(86287 - Pair)



PANZITTA SALES & SERVICE
72 George Avenue
Wilkes-Barre, PA 18705
570-822-6720 800-822-6720
www.panzittasales.com

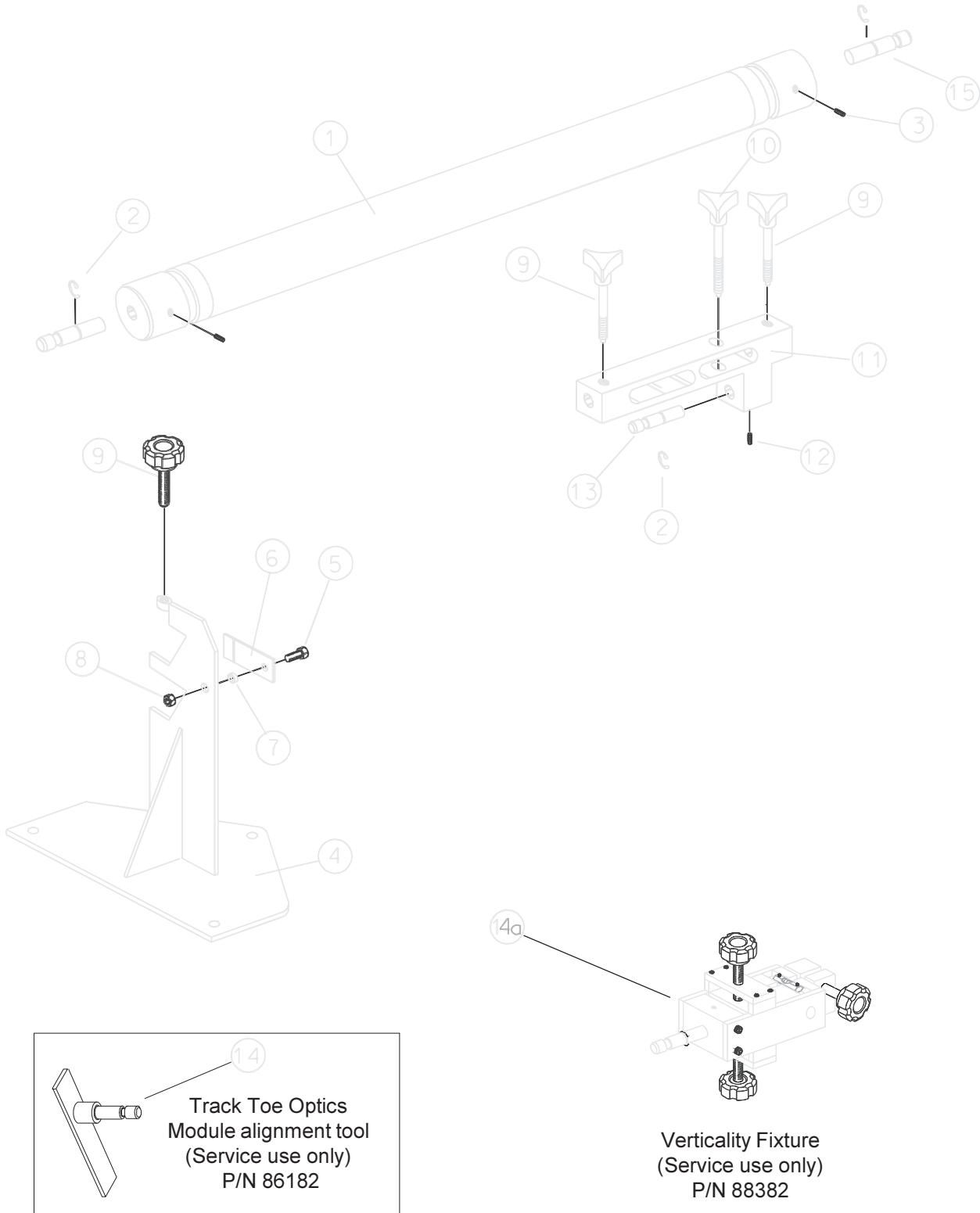
PANZITTA SALES & SERVICE
72 George Avenue
Wilkes-Barre, PA 18705
570-822-6720 800-822-6720
www.panzittasales.com

Wheel Clamp Assembly

85632 for a Single Clamp
85631 for one Pair (2) Clamps

<u>Ref No.</u>	<u>QTY.</u>	<u>Part No.</u>	<u>Description</u>
1	2	00085646000	Rod, Wheel Clamp
2	1	00083097000	Screw Assembly, Clamp Knob
3	1	00085649000	Shaft - Stub, Wheel Clamp
4	2	00085634000	Extension Rod
5	4	00057666000	Spring Plate, Lock
6	1	01110771000	Screw, Set, 1/4-20 X 1/2 HS CON
7	1	00085643000	Bracket Assembly, Lower
	1	00085648000	Bracket Casting, Clamp, Lower
8	2	00083067000	Bar, Tightening
9	1	00085644000	Bracket Assembly, Locking
	1	00085650000	Bracket Casting, Clamp, Upper
10	1	00083068000	Cover
11	3	00085630000	Boot Grabber
12	4	01115690000	Screw - RHMS, #6-32 X 3/8 PHL ZN
13	2	00063780000	Pin, Friction
14	3	00085633000	Grip, Wedge/Casting CHNG11/2/92
	3	01122068000	O-Ring - .625OD X .437ID X .093W
*		00085688000	Wedge Grip with O-Ring
15	2	00058815000	Spring, Friction Hub
16	1	01110818000	Screw - SHCS, 5/16-18 X 3/4
17	2	01110677000	Screw - RHMS, #10-32 X 1/4 SLT Z
18	1	00085647000	Storage Grabber
	1	00085652000	Plate - Backing, Grabber Retainer
19	4	01122074000	Grommet -1.125 OD X .625 ID
20	2	01122064000	Screw - PHMS, #10-24 X 1 PHL BLK
21	1	00088337000	Decal, Logo - SUN
22	2	01101479000	Nut - KEPS, #10-24 UNC-2B CD/ZN
23	2	01103441000	Screw - Set, 1/4-20 X 3/8 HS CUP
24	2	00086409000	Screw, Thumb Knob
25	1	00085645000	Bracket Assembly - Sliding
	1	00083069000	Sliding Bracket Casting, Machined

Calibration Kit 84196



Calibration Kit 84196 (Optional)

Calibration Option (Kit number 84196)

Item	Part	
<u>No.</u>	<u>No.</u>	<u>Description</u>
1	00084199000	Bar Assembly (Includes: 3, 15 two each)
*	00063696000	Bare Bar
2	01101729000	Snap Ring
3	01100108000	Knurled Cup 3/8-16x1/2" (Shaft Retaining Set Screws)
4	00084102000	Calibration Stand (Single Stand Bare)
4a	00084198000	Calibration Stand Assembly (2 Stands 84102 with Hardware 5-8)
5	01101620000	Shoulder Screw 3/8"
6	00063388000	Pointer, Calibration Fixture
7	00059778000	Spacer
8	01182563000	5/16-18 Hex Nut
9	00083258000	Screw, Locking Knob Assy - Short
10	00083259000	Screw, Locking Knob Assy - Long.
11	00083785000	Track Toe Calibration Inversion Fixture Assembly Includes: no. 2, and 9, 10, 12 and 13
12	01110770000	Screw, Cone pt 1/4-20x3/8"
13	00084630000	Calibration Stub Shaft For Inversion Fixture
14	00086182000	Optics Module Alignment Fixture (Service Use Only)
14a	00088382000	Verticality Fixture Kit (Service Use Only)
15	00084267000	Stub Shaft

PANZITTA SALES & SERVICE
72 George Avenue
Wilkes-Barre, PA 18705
570-822-6720 800-822-6720
www.panzittasales.com