

---

---

**GARDNER-DENVER®**

13-8-505  
3rd Edition

**GREENLINE STATIONARY  
TANK/BASE-MOUNTED COMPRESSORS**

**MODEL EJB\_ \_A**

**MODEL EJB\_ \_B**

**15 THRU 30 HP**

**60 HZ**

**PANZITTA SALES & SERVICE**  
72 George Avenue  
Wilkes-Barre, PA 18705  
570-822-6720 800-822-6720  
[www.panzittasales.com](http://www.panzittasales.com)

**PARTS LIST**

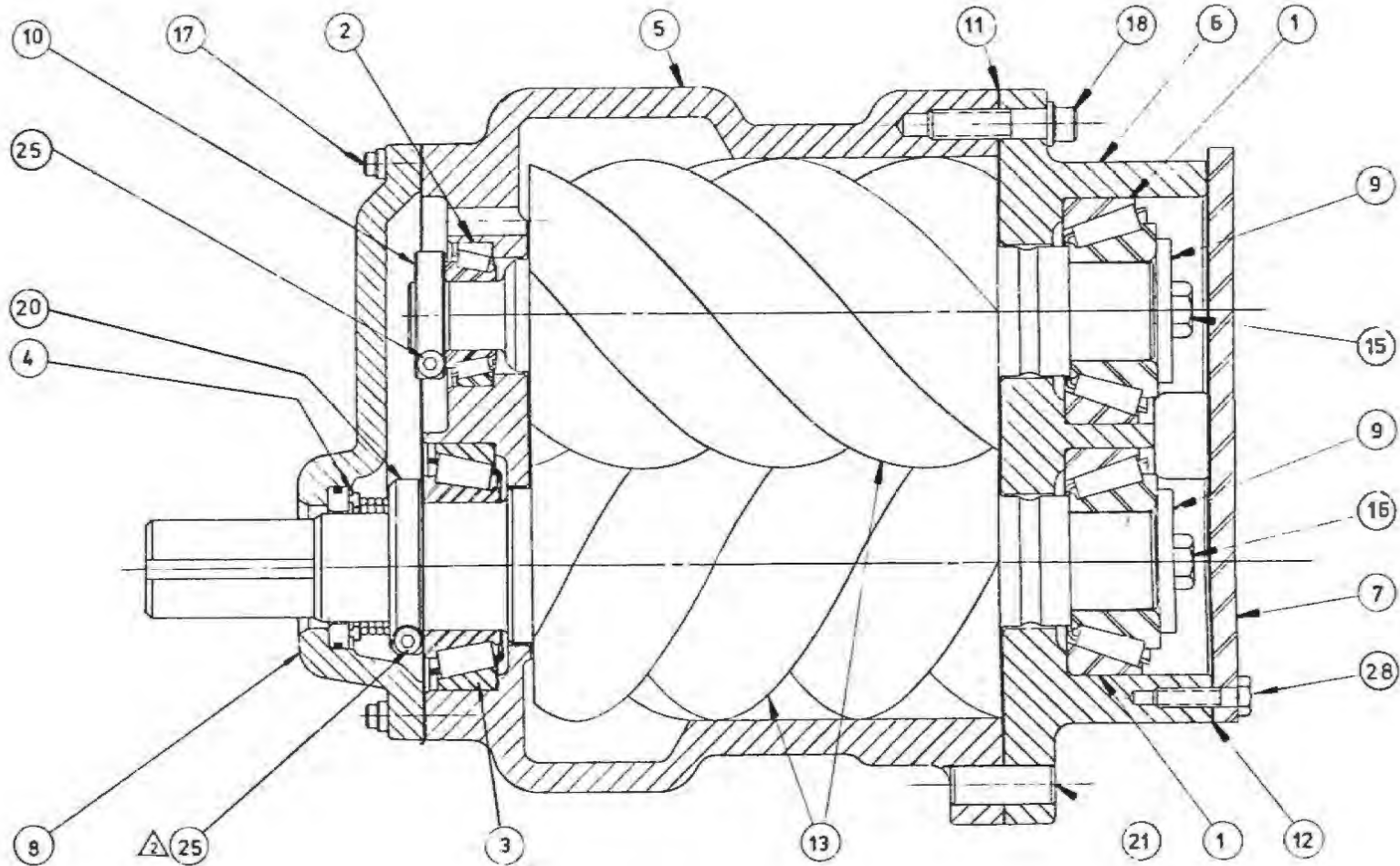
**COOPER**

---

Gardner-Denver  
Industrial Machinery

**PANZITTA SALES & SERVICE**  
72 George Avenue  
Wilkes-Barre, PA 18705  
570-822-6720 800-822-6720  
www.panzittasales.com

**BARE COMPRESSOR**



13-8-505 Page 4

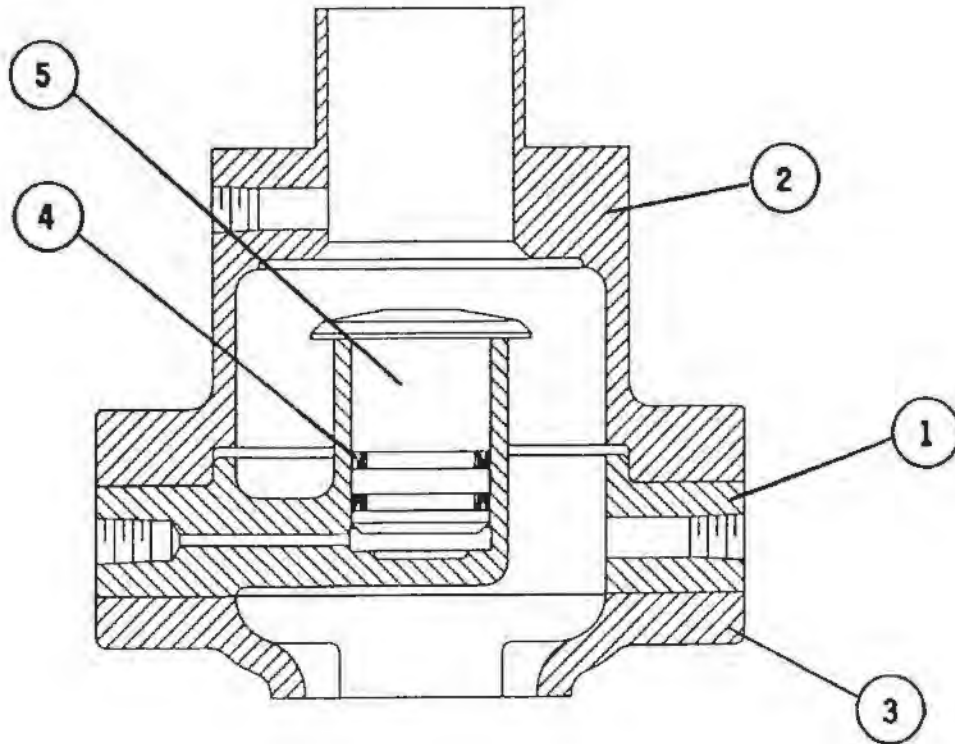
00543077-0133

Order by Part Number and Description. Reference Numbers for your convenience only.

Ref. No.	NAME OF PART	QTY	PART NO.	PART NO.
		BARE COMPRESSOR	(JSBABA)	(JSBABB)
1	BEARING-TAPERED ROLLER.....	2	00543308 0006	00543308 0006
2	BEARING-TAPERED ROLLER.....	1	00543308 0007	00543308 0007
3	BEARING-TAPERED ROLLER.....	1	00543308 0052	00543308 0052
4	SEAL-SHAFT.....	1	60DD594	60DD594
5	STATOR.....	1	01663703 0041	01663703 0041
6	HOUSING-DISCHARGE.....	1	03663826 0004	03663826 0004
7	CAP-BEARING.....	1	01663785 0017	01663785 0017
8	ADAPTER-SEAL.....	1	200JSB315	200JSB315
9	RETAINER-THRUST.....	2	01663725 0008	01663725 0008
10	NUT-LOCK.....	1	01228249 0016	01228249 0016
11	GASKET-STATOR.....	1	01663742 0216	01663742 0216
12	GASKET-BEARING CAP.....	1	01663742 0217	01663742 0217
13	ROTOR-SET 100 MM.....	1	H0701747 0052	JSB81459
15	SCREW-NYLON.....	1	00910174 0013 (LH)	75A1N
16	SCREW-CAP NYLOK.....	1	75A1N	75A1N
17	SCREW-CAP.....	10	00901858 0006	00901858 0006
18	SCREW-CAP.....	4	75LM153	75LM153
19	SCREW-CAP.....	2	75LM158	75LM158
20	NUT-LOCK.....	1	01228249 0013	01228249 0013
21	PIN.....	2	62M83	62M83
25	SCREW.....	2	00902262 0046	00902262 0046
*	PLUG-HEX SOC. PIPE.....	5	64AC3	64AC3
28	SCREW-CAP HEX HD.....	9	75A25	75A25
*	PLUG-CAP HEX SOC. PIPE.....	1	64AA4	64AC3
*	SCREW-CAP 3/8 X 1 I.....	2	00901867 0037	00901867 0037
*	TAG.....	1	200EAQ304	200EAQ304
*	SEAL, BLANK LEAD.....	1	01228421 0025	01228421 0025
*	O-RING, SEAL ADAPTOR.....	1	25BC35	25BC35

\* NOT SHOWN.

**PANZITTA SALES & SERVICE**  
**72 George Avenue**  
**Wilkes-Barre, PA 18705**  
**570-822-6720 800-822-6720**  
**www.panzittasales.com**



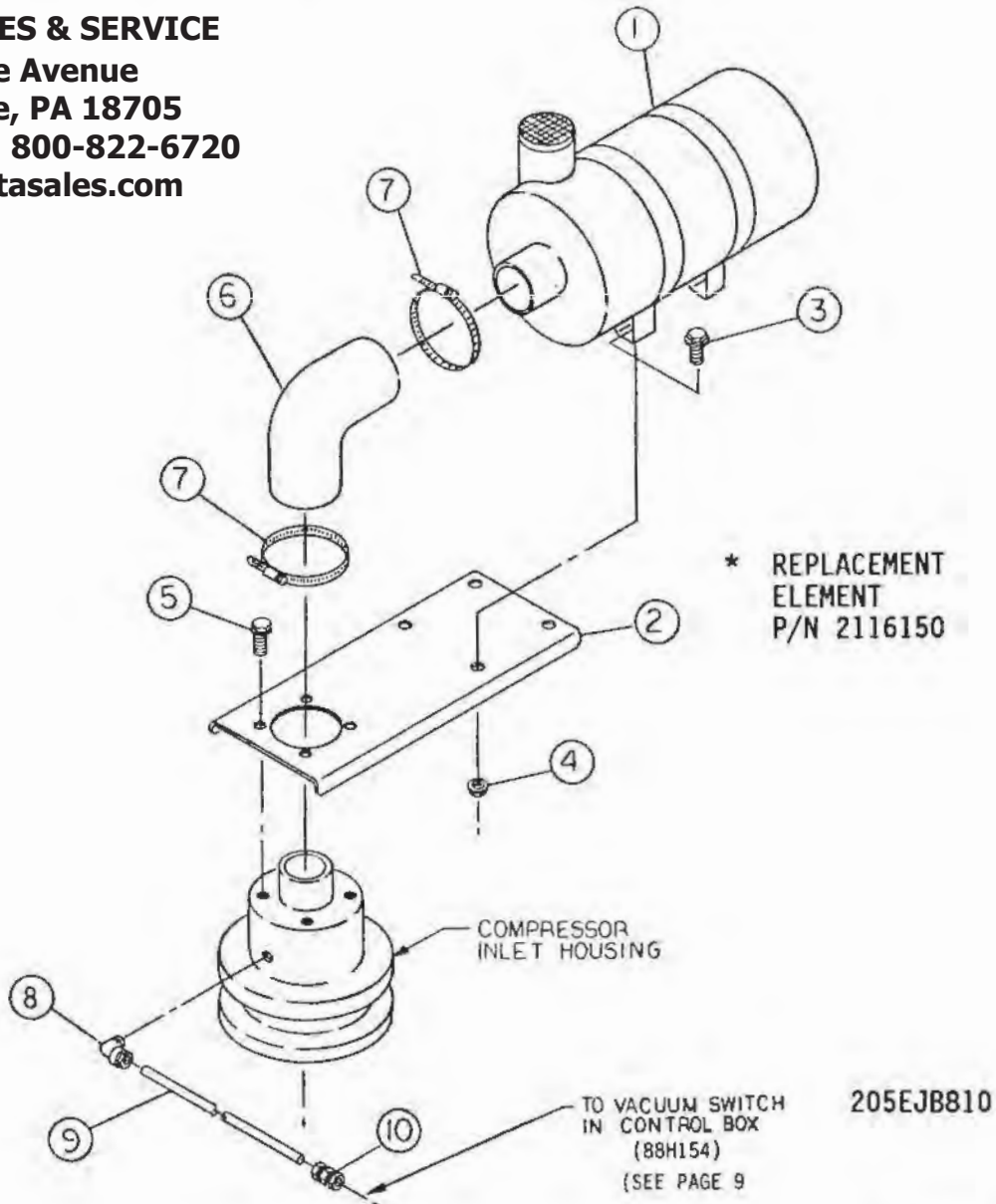
Ref. No.	NAME OF PART	QTY	PART NO.
<b>INLET VALVE</b>			
1	HOUSING-INLET.....	1	201JSB041
2	SEAT.....	1	200JSB256
3	ADAPTOR.....	1	200JSB170
+	SCREW-12 PT CAP ADAPT TO STATOR.....	4	75LM115
4	PACKING-RING.....	2	60DD674
5	PISTON-INL VLV.....	1	200JSB043
+	SCREW-12 PT CAP HOUSING TO ADAPTOR.....	6	75LM118

+ NOT SHOWN ON DETAIL

**PANZITTA SALES & SERVICE**  
**72 George Avenue**  
**Wilkes-Barre, PA 18705**  
**570-822-6720 800-822-6720**  
**www.panzittasales.com**

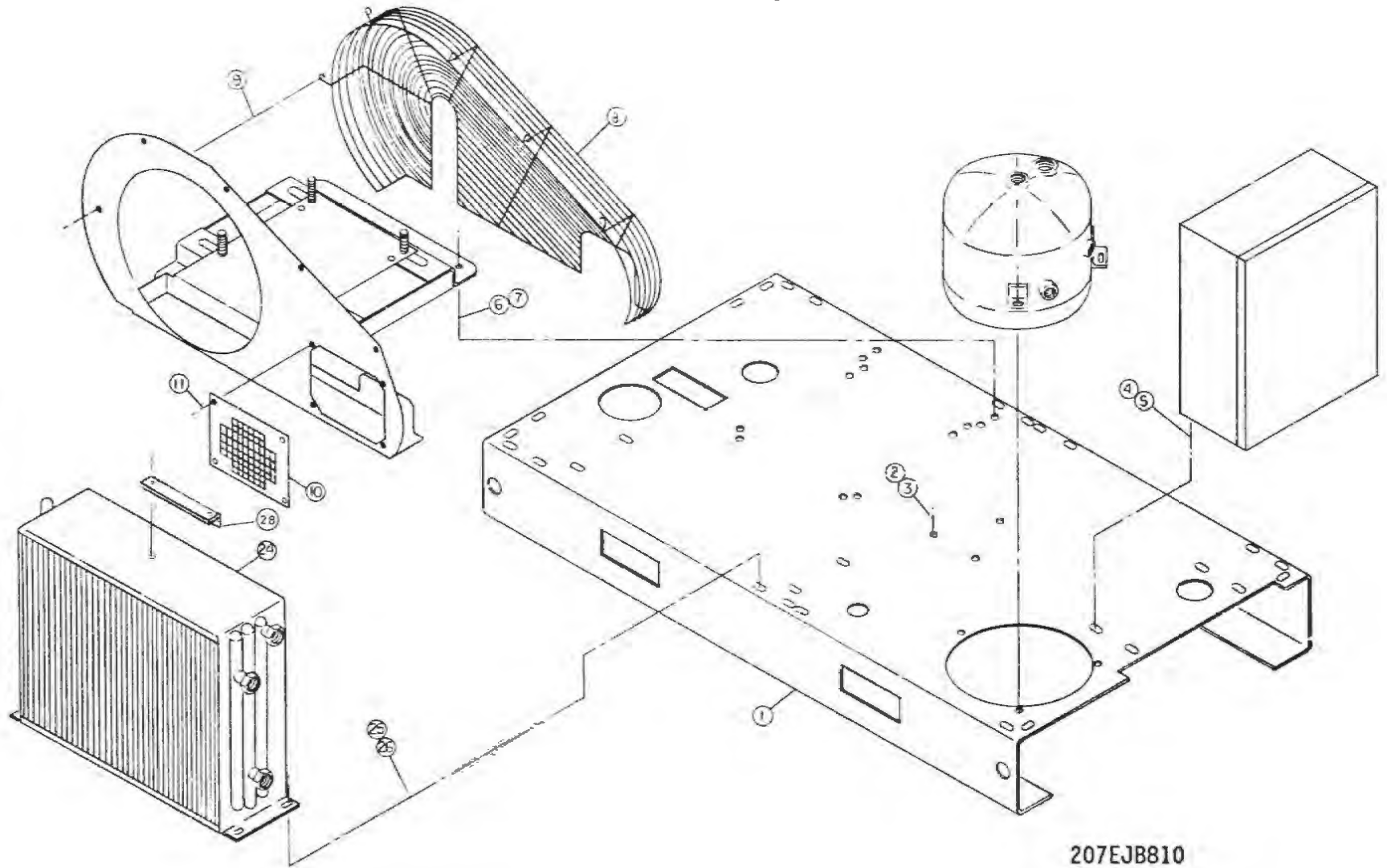
Order by Part Number and Description. Reference Numbers for your convenience only.

**PANZITTA SALES & SERVICE**  
**72 George Avenue**  
**Wilkes-Barre, PA 18705**  
**570-822-6720 800-822-6720**  
**www.panzittasales.com**



Ref. No.	NAME OF PART	QTY	PART NO.
<b>HEAVY DUTY AIR FILTER</b>			
1	* FILTER-AIR.....	1	5L220
2	BRACKET-FILTER.....	1	200EJB389
3	SCREW-FLANGED.....	4	75K54
4	NUT-FLANGED.....	4	50AW4
5	SCREW-FLANGED.....	4	75K54
6	HOSE-MOLDED.....	1	29Z97
7	CLAMP-HOSE.....	2	29B32
8	ELBOW-TUBE.....	1	86E60
9	TUBE.....	1	85K3
10	CONNECTOR.....	1	86N218
11	CLAMP-HOSE.....	2	29B32

**PANZITTA SALES & SERVICE**  
72 George Avenue  
Wilkes-Barre, PA 18705  
570-822-6720 800-822-6720  
www.panzittasales.com



13-8-505 Page 8

207EJB810

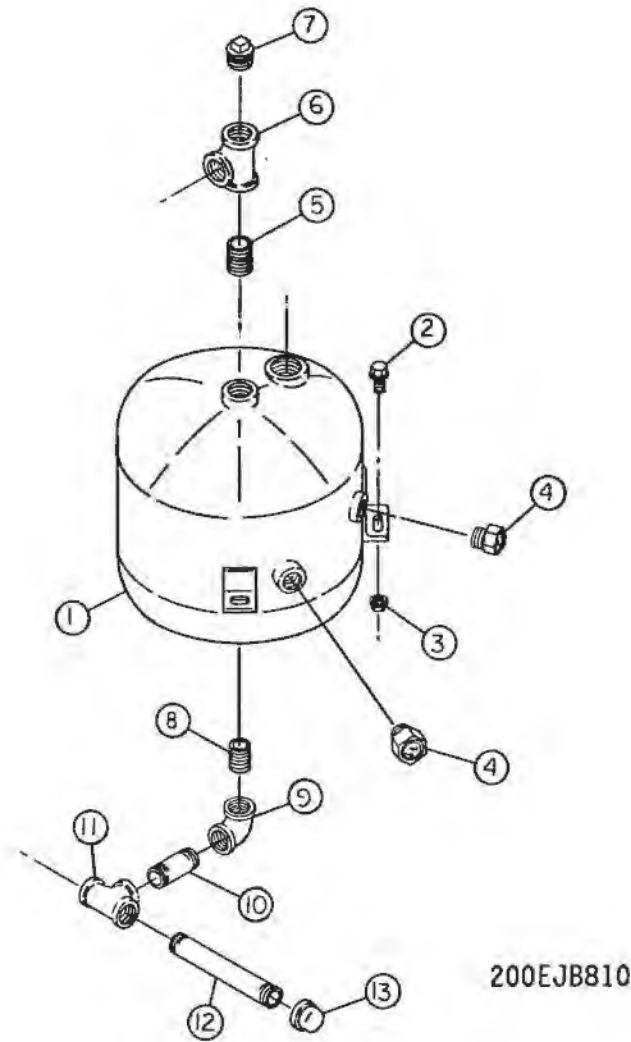
NOTE: DETAIL NOS. 12, 13, 14, 15, 16, 17, 18, 19, 20, 21, 22, 23, 27, 33, 34, 35 AND 36 ARE NOT SHOWN.

Ref. No.	NAME OF PART	QTY	PART NO.
1	BASE.....	1	200EJB285
2	SCREW-HEX CAP.....	3	75A4
3	WASHER-LOCK.....	3	95B5
4	SCREW-FLANGED.....	4	75LM51
5	NUT-FLANGED.....	4	50AW5
6	SCREW-FLANGED.....	4	75LM135
7	NUT-FLANGED.....	4	50AW35
8	GUARD-FAN.....	1	200EJB393
9	SCREW-FLANGED.....	5	75LM150
10	PLATE-INSP.....	1	200EJB052
11	SCREW-FLANGED.....	4	75LM150
12	VALVE-SOLENOID.....	1	91B77
13	NIPPLE-CHASE.....	1	24A437
14	O-RING.....	2	24A383
15	LOCKNUT-CONDUIT.....	2	24A77
16	SWITCH-VACUUM.....	2	88H175
17	LUG TERMINAL.....	2	24A476
18	WIRE.....	5	97H4R
19	PRESSURE TRANSDUCER.....	2	88H155
20	THERMISTOR PROBE.....	2	21D231
21	CONNECTOR.....	2	00600298 0001
22	LOOM-SPIRAL.....	3	2009987
23	TIE-CABLE.....	11	24A461
24	COOLER-OIL.....	1	200EJB201
25	SCREW-FLANGED.....	4	75LM51
26	NUT-FLANGED.....	4	50AW5
27	O-RING.....	3	165011
28	BRACKET.....	1	203EJ8142
33	WASHER-PLAIN.....	10	95A3
34	SCREW-FLANGED.....	6	75K54
35	NUT-FLANGED.....	6	50AW4
36	CONNECTOR-CABLE.....	1	00600704 0582
*	SCREW-FLANGED.....	2	75LM51
*	NUT-FLANGED.....	2	50AW5

\* NOT SHOWN ON DRAWING

**PANZITTA SALES & SERVICE**  
**72 George Avenue**  
**Wilkes-Barre, PA 18705**  
**570-822-6720 800-822-6720**  
**www.panzittasales.com**

**PANZITTA SALES & SERVICE**  
**72 George Avenue**  
**Wilkes-Barre, PA 18705**  
**570-822-6720 800-822-6720**  
**www.panzittasales.com**



Ref. No.	NAME OF PART	QTY	PART NO.
1	RESERVOIR.....	1	200EJB037
2	SCREW-FLANGED.....	3	75LM51
3	NUT-FLANGED.....	3	50AW5
4	GAUGE (LIQ LVL).....	2	00914483 0012
5	NIPPLE-PIPE.....	1	63H1G
6	TEE-PIPE.....	1	64G8G
7	PLUG-SQHD PIPE.....	1	64AA1
8	NIPPLE-PIPE.....	1	63G1G
9	ELBOW-PIPE.....	1	64C5G
10	NIPPLE-PIPE.....	1	63G3G
11	TEE-PIPE.....	1	64G7G
12	NIPPLE-PIPE.....	1	63G15G
13	CAP-PIPE.....	1	64AD5

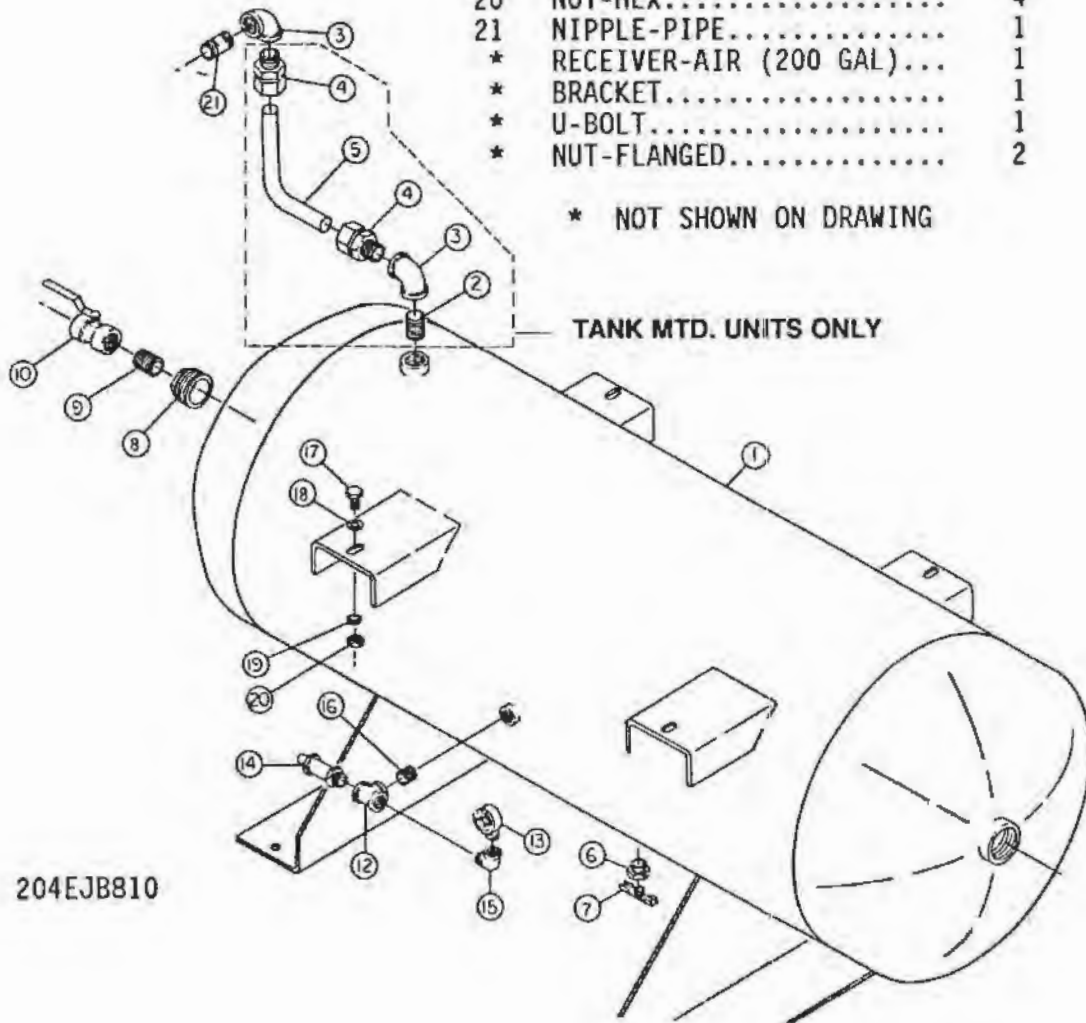


## AIR RECEIVER GROUP

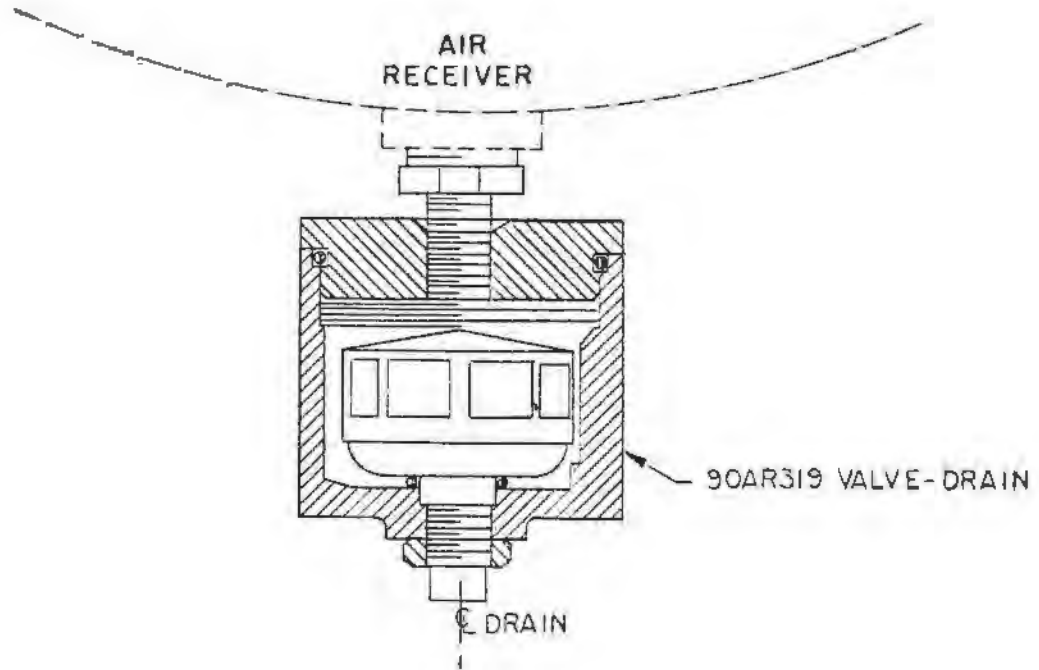
**PANZITTA SALES & SERVICE**  
 72 George Avenue  
 Wilkes-Barre, PA 18705  
 570-822-6720 800-822-6720  
 www.panzittasales.com

Ref. No.	Name of Part	Qty	Part No.
1	RECEIVER-AIR (120 GAL)...	1	200EJB645
2	NIPPLE-PIPE.....	1	63H1G
3	ELBOW-PIPE.....	2	64C6G
4	CONNECTOR-TUBE.....	2	86N120
5	TUBE-FORMED.....	1	203EJB857
6	BUSHING-PIPE.....	2	64E2
7	COCK.....	1	90C12
8	BUSHING-PIPE.....	1	64E11
9	NIPPLE-PIPE.....	1	63H1G
10	VALVE-BALL.....	1	90AR362
12	TEE-PIPE.....	1	64G3G
13	GAUGE-AIR PRESS.....	1	27A114
14	VALVE-PRESS/RELIEF.....	1	90AR657
15	ELBOW-PIPE ST.....	1	64D2G
16	NIPPLE-PIPE.....	1	63D1G
17	SCREW-HEX CAP.....	4	655EE060
18	WASHER-PLAIN.....	8	95A5
19	WASHER-LOCK.....	4	95B5
20	NUT-HEX.....	4	50B5
21	NIPPLE-PIPE.....	1	63H25G
*	RECEIVER-AIR (200 GAL)...	1	201EJB645
*	BRACKET.....	1	202EJB142
*	U-BOLT.....	1	15U59
*	NUT-FLANGED.....	2	50AW3

\* NOT SHOWN ON DRAWING

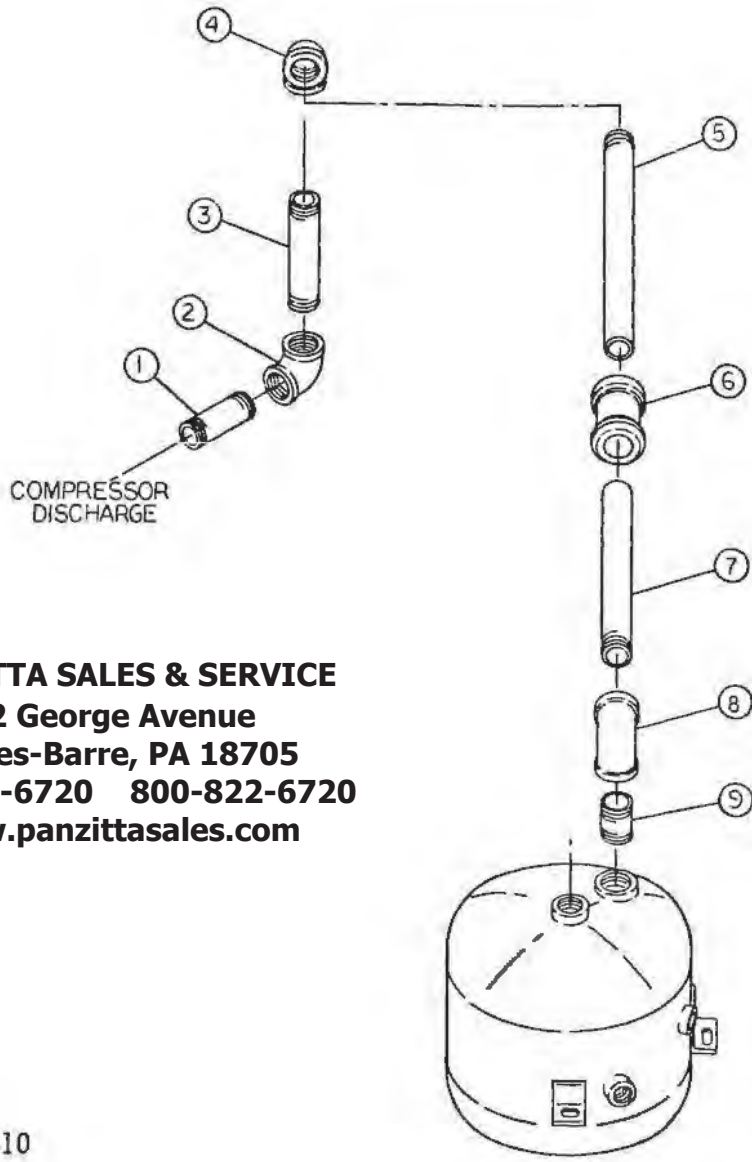


# EJECTOR VALVE



**PANZITTA SALES & SERVICE**  
72 George Avenue  
Wilkes-Barre, PA 18705  
570-822-6720 800-822-6720  
[www.panzittasales.com](http://www.panzittasales.com)

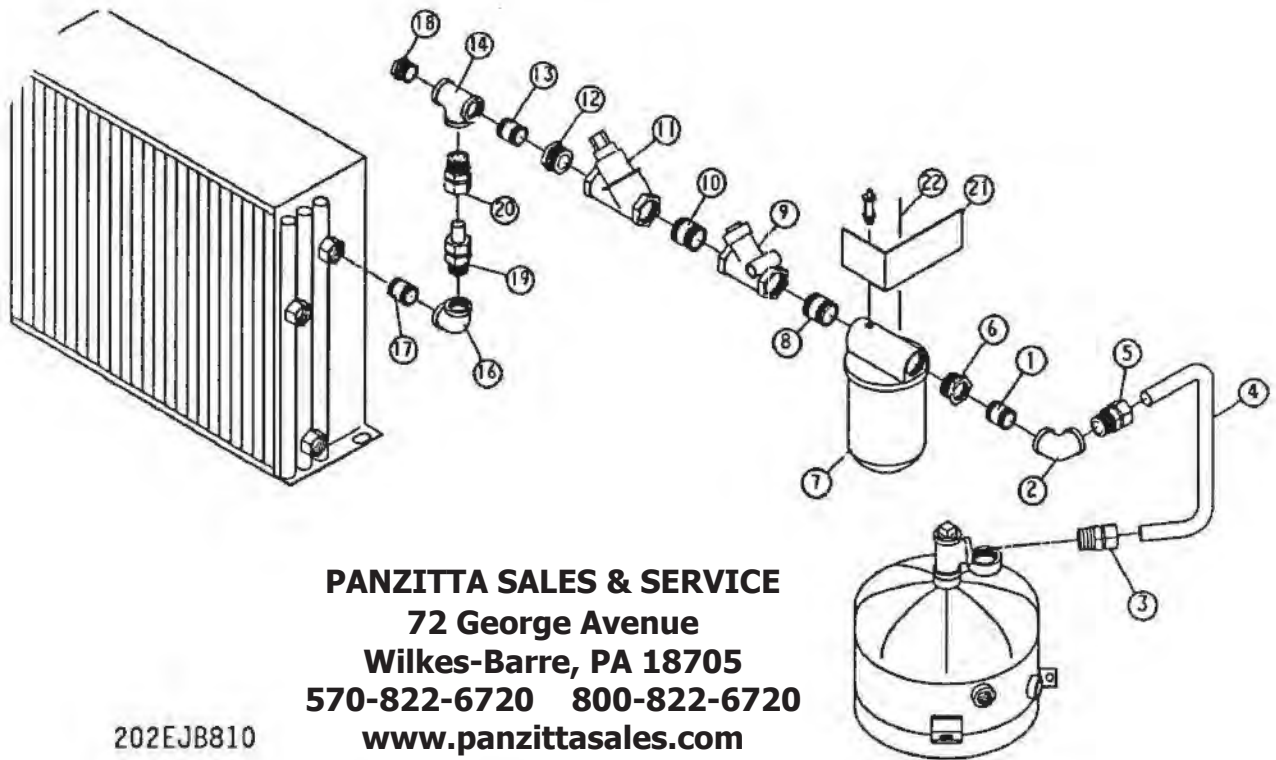
B76822



**PANZITTA SALES & SERVICE**  
**72 George Avenue**  
**Wilkes-Barre, PA 18705**  
**570-822-6720 800-822-6720**  
**www.panzittasales.com**

201EJB810

Ref. No.	NAME OF PART	QTY	PART NO.
1	NIPPLE-PIPE.....	1	63J30G
2	ELBOW-PIPE.....	1	64C7G
3	NIPPLE-PIPE.....	1	63J9G
4	ELBOW-PIPE.....	1	64C7G
5	NIPPLE-PIPE.....	1	63AJ20X130G
6	COUPLING-FLEX.....	1	64EB27
7	NIPPLE-PIPE.....	1	63AJ20X94G
8	ELBOW-PIPE.....	1	64C7G
9	NIPPLE-PIPE.....	1	63AA13G



**PANZITTA SALES & SERVICE**  
**72 George Avenue**  
**Wilkes-Barre, PA 18705**  
**570-822-6720 800-822-6720**  
**www.panzittasales.com**

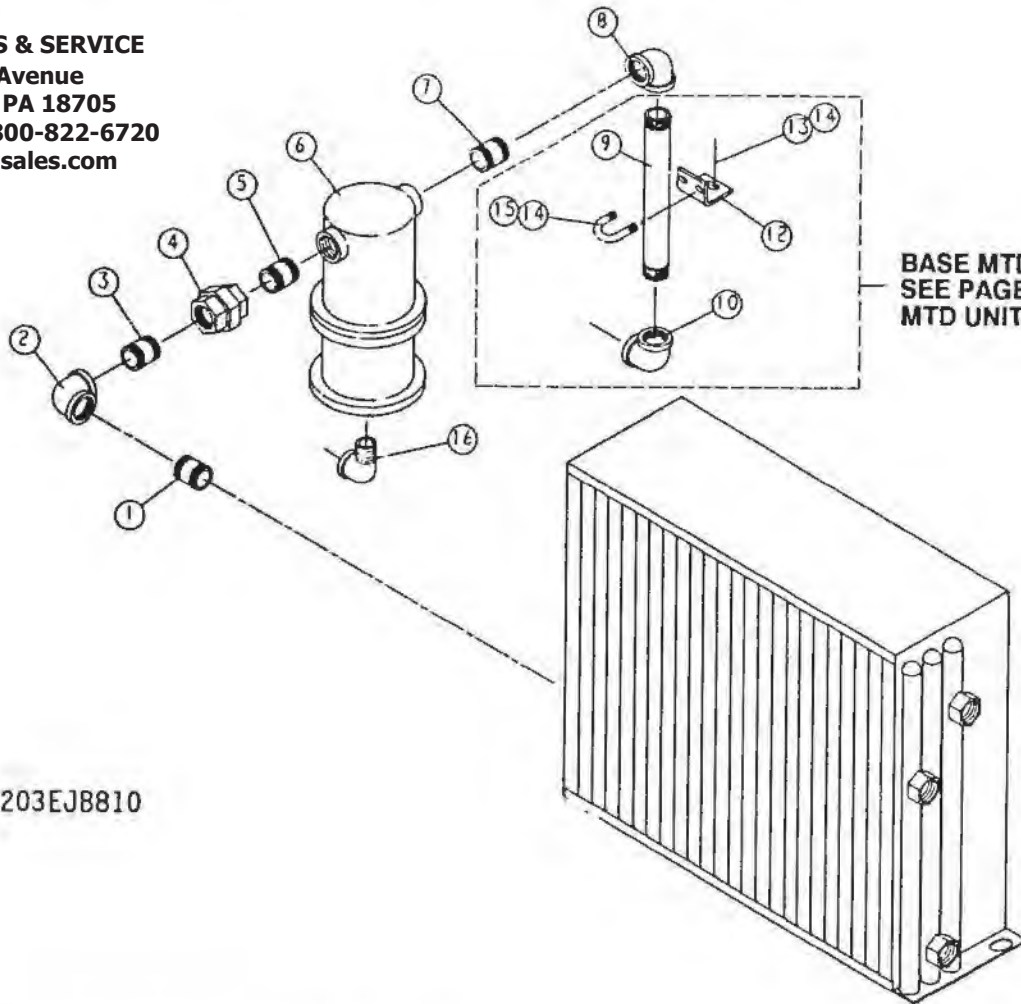
202EJB810

Ref. No.	NAME OF PART	QTY	PART NO.
<b>OIL PIPING GROUP</b>			
1	PIPE-NIPPLE.....	1	63H2G
2	ELBOW-PIPE.....	1	64C6G
3	CONNECTOR-TUBE.....	1	86N120
4	TUBE-FORMED.....	1	205EJB857
5	CONNECTOR-TUBE.....	1	86N120
6	BUSHING-PIPE.....	1	64E97
7	* SEPARATOR.....	1	55B39
8	NIPPLE-PIPE.....	1	63J15G
9	VALVE-CHECK.....	1	90J131
10	NIPPLE-PIPE.....	1	63J15G
11	VALVE-M/PRESS.....	1	200ECH527
12	BUSHING-PIPE.....	1	64E97
13	PIPE-NIPPLE.....	1	63H1G
14	TEE-PIPE.....	1	64G8G
16	ELBOW-PIPE.....	1	64C6G
17	PIPE-NIPPLE.....	1	63H2G
18	BUSHING-PIPE.....	1	64E15
19	ADAPTOR-TUBE.....	1	86N117
20	CONNECTOR-TUBE.....	1	86N120
21	DEFLECTOR.....	1	200EJB104
22	SCREW-DRIVE.....	2	75LM207

\* FOR REPLACEMENT ELEMENT & O-RING ORDER ITEM NO. 2116366.

Order by Part Number and Description. Reference Numbers for your convenience only.

**PANZITTA SALES & SERVICE**  
 72 George Avenue  
 Wilkes-Barre, PA 18705  
 570-822-6720 800-822-6720  
 www.panzittasales.com

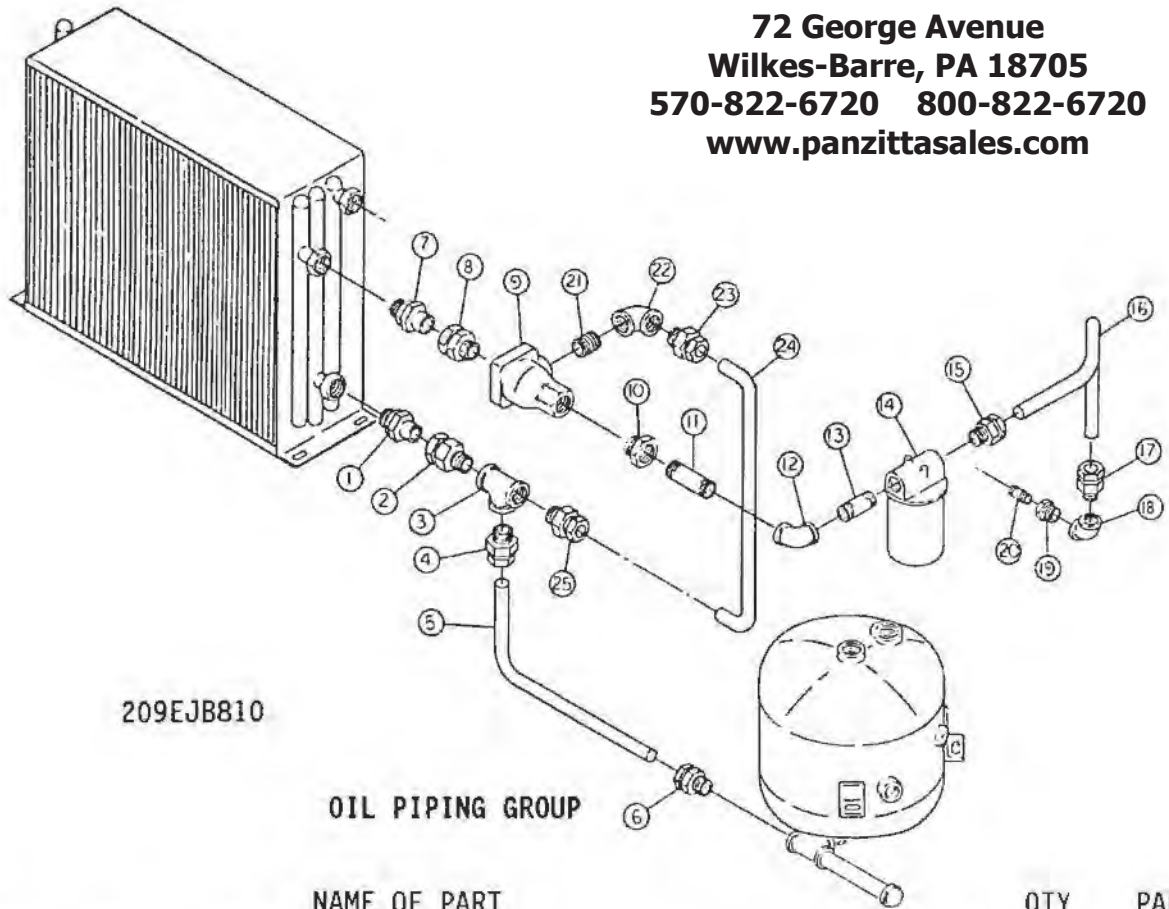


203EJ8810

Ref. No.	NAME OF PART	QTY	PART NO.
----------	--------------	-----	----------

**DISCHARGE PIPING GROUP**

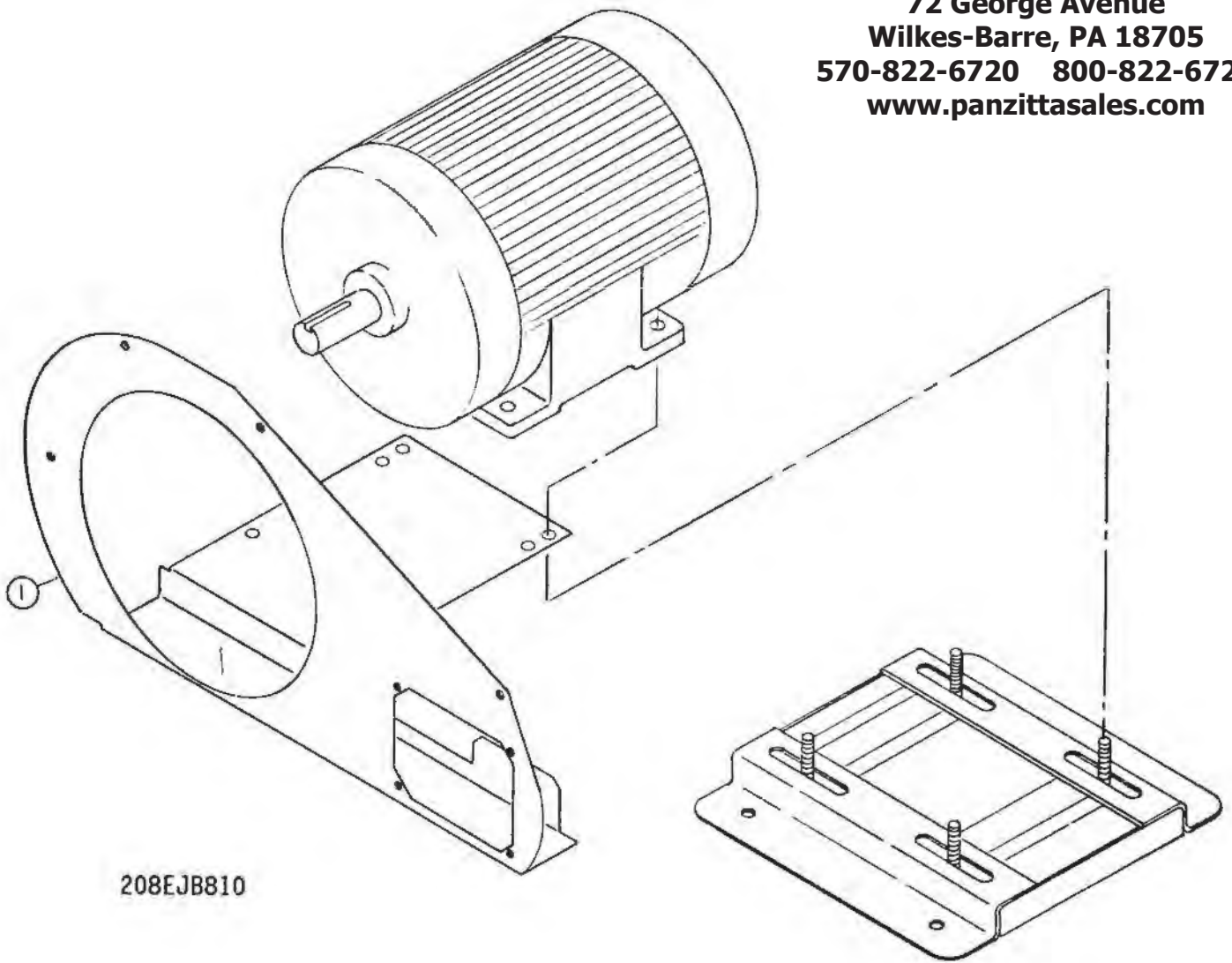
1	NIPPLE-PIPE.....	1	63H1G
2	ELBOW-PIPE.....	1	64C6G
3	NIPPLE-PIPE.....	1	63H1G
4	UNION-STRAIGHT.....	1	64Z7
5	NIPPLE-PIPE.....	1	63H1G
6	SEPARATOR & TRAP.....	1	83C90
7	NIPPLE-PIPE.....	1	63H1G
8	ELBOW-PIPE.....	1	64C6G
9	NIPPLE-PIPE.....	1	63H11G
10	ELBOW-PIPE.....	1	64C6G
11	CONNECTOR-TUBE.....	1	86N120
12	BRACKET.....	1	202EJB142
13	SCREW-FLANGED.....	1	75LM51
14	NUT-FLANGED.....	3	50AW3
15	BOLT-U.....	1	15U59
16	ELBOW-PIPE ST.....	1	64D6G (SEPR. DRAIN)



Ref. No.	NAME OF PART	QTY	PART NO.
1	ADAPTOR-TUBE.....	1	86N117
2	CONNECTOR-TUBE.....	1	86N120
3	TEE-PIPE.....	1	64G8G
4	CONNECTOR-TUBE.....	1	86N95
5	TUBE-FORMED.....	1	202EJB857
6	CONNECTOR-TUBE.....	1	86N150
7	ADAPTOR-TUBE.....	1	86N117
8	CONNECTOR-TUBE.....	1	86N120
9	VALVE-THERM.....	1	90AR166
10	BUSHING-PIPE.....	1	64E36
11	NIPPLE-PIPE.....	1	63G4G
12	ELBOW-PIPE.....	1	64C5G
13	NIPPLE-PIPE.....	1	63G3G
14	FILTER-OIL.....	1	26C27
15	CONNECTOR-TUBE.....	1	86N150
16	TUBE-FORMED.....	1	204EJB857
17	CONNECTOR-TUBE.....	1	86N150
18	ELBOW-PIPE.....	1	64C5G
19	BUSHING-PIPE.....	1	64E10
20	NIPPLE-PIPE.....	1	63E4G
21	NIPPLE-PIPE.....	1	63H1G
22	ELBOW-PIPE.....	1	64C6G
23	CONNECTOR-TUBE.....	1	86N95
24	TUBE-FORMED.....	1	200EJB857
25	CONNECTOR-TUBE.....	1	86N95

FOR REPLACEMENT ELEMENT (OIL FILTER) ORDER 2116128; SEE PAGE 19 FOR THERM VALVE ELEMENTS.

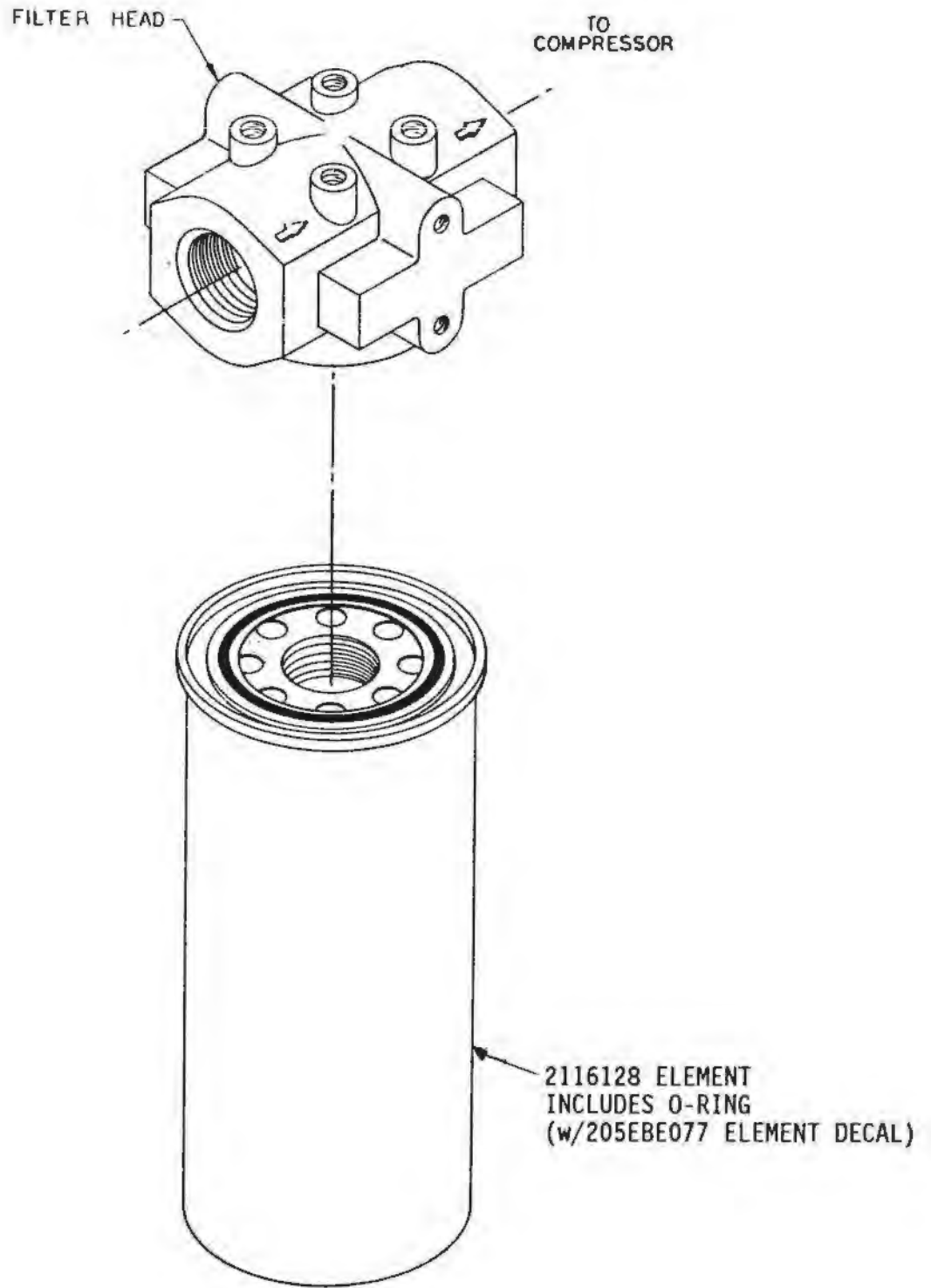
**PANZITTA SALES & SERVICE**  
**72 George Avenue**  
**Wilkes-Barre, PA 18705**  
**570-822-6720 800-822-6720**  
**www.panzittasales.com**



208EJB810

Ref. No.	NAME OF PART	QTY	PART NO.
1	ORIFICE, 15/20 H.P.....	1	201EJB814
1	ORIFICE, 25/30 H.P.....	1	200EJB814

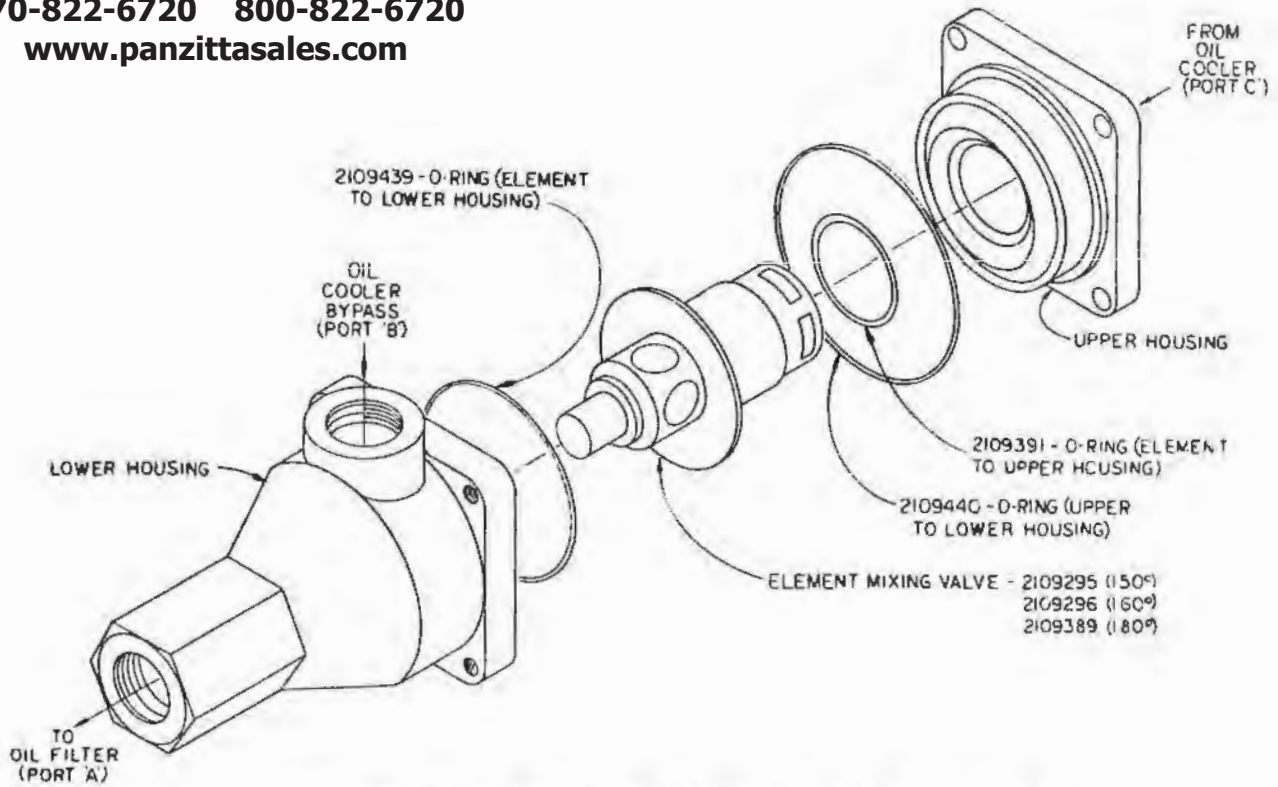
**OIL FILTER - 26C27**





**PANZITTA SALES & SERVICE**  
72 George Avenue  
Wilkes-Barre, PA 18705  
570-822-6720 800-822-6720  
www.panzittasales.com

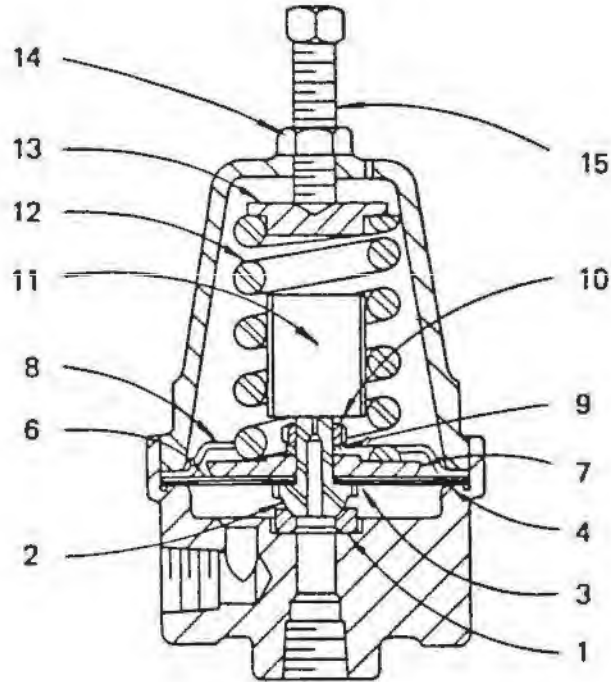
**THERMAL VALVE**  
(Thermostatic Mixing)



**90AR166 ASM VALVE - THERMAL (ALUMINUM HOUSING)**

C76528

Order by Part Number and Description. Reference Numbers for your convenience only.



B74480X

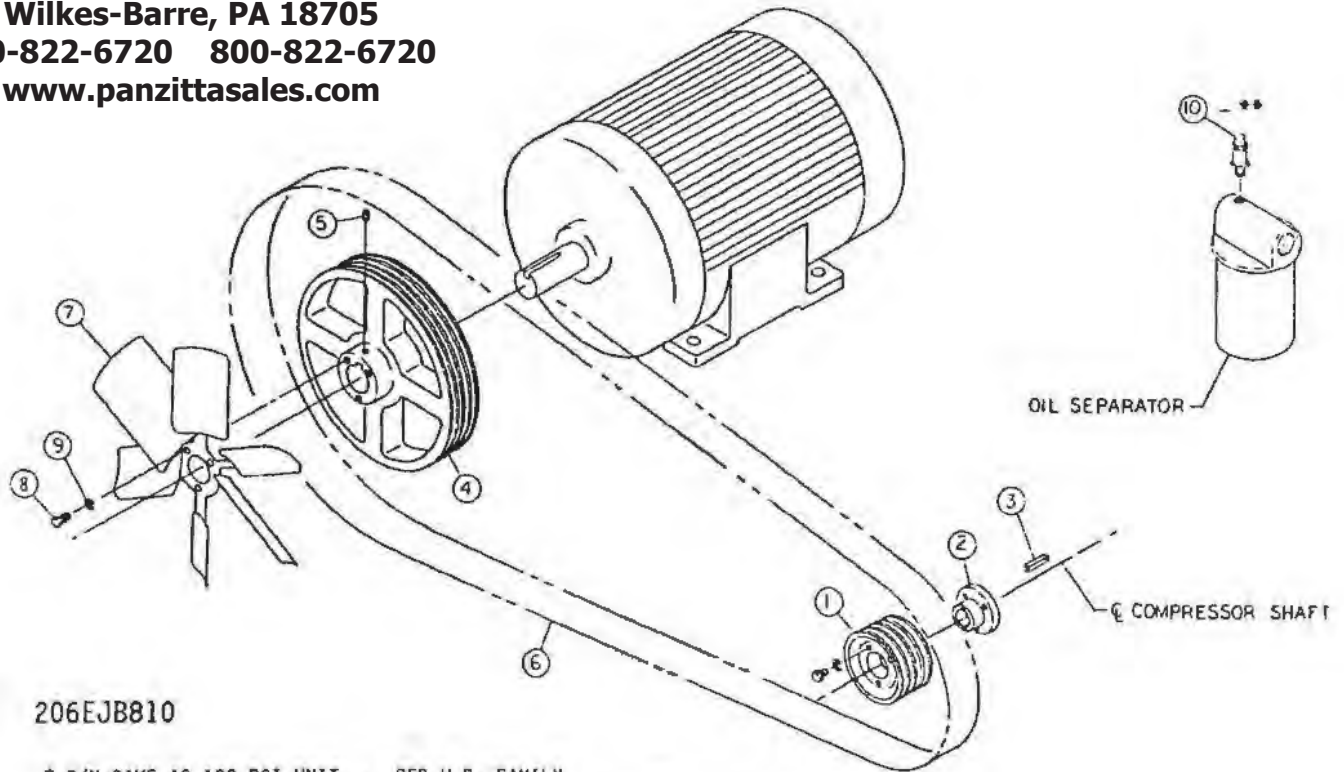
Ref. No.	Name of Part	Qty	Part No.
----------	--------------	-----	----------

**SUBTRACTIVE PILOT VALVE**

	VALVE-SUBTRACTIVE PILOT, Incl. Ref. No. 1 thru 15...		2009398
1	RING-SEAT.....	1	2008021
2	DISC-SEAT.....	1	2010080
3	GASKET-DURABLA.....	1	2008019
4	GASKET-DURABLA.....	1	2008017
6	DIAPHRAGM.....	5	2008018
7	PLATE-PRESSURE.....	1	2008015
8	STOP-DIAPHRAGM.....	1	2008016
9	WASHER-LOCK.....	1	95B1
10	NUT-PRESSURE PLATE.....	1	2008888
11	DAMPER.....	1	2008711
12	SPRING-PRESSURE.....	1	2008014
13	BUTTON-SPRING.....	1	2008891
14	LOCKNUT.....	1	50Y2
15	SCREW-PRESSURE.....	1	2008952

NOTE: It is necessary to replace some parts in groups to insure satisfactory repair. When replacing diaphragm, also replace both diaphragm and seat gaskets. When replacing seat disc or seat ring, replace also the mating seat ring or disc and the seat disc gasket.

**PANZITTA SALES & SERVICE**  
**72 George Avenue**  
**Wilkes-Barre, PA 18705**  
**570-822-6720 800-822-6720**  
**www.panzittasales.com**



206EJB810

\* P/N SAME AS 100 PSI UNIT - PER H.P. FAMILY  
 \*\* SEE NOTE ON PAGE 22 FOR 25 & 30 HP, 100 PSIG UNITS (FOR RELIEF VALVE)

Ref. No.	Name of Part	Qty	Part No. Per Pressure			
			100	125	150	175
	15 H.P. DRIVE GP.....		EJB81299	EJB81300		
1	SHEAVE, COMPR.....	1	73M43V60	73M43V69		
2	HUB-BUSHING.....	1	22F20SK	*		
3	SQ.KEY.....	1	35B33	*		
4	SHEAVE, MTR.....	1	201EJB099	204EJB099		
5	SO HD SET SCREW.....	2	76F65	*		
6	BELT SET.....	1	13AG6304	*		
7	FAN.....	1	203EBE701	*		
8	SCREW.....	3	655ED030	*		
9	LOCKWASHER.....	3	95B3	*		
10	RELIEF VALVE.....	1	90AR661	90AR662		

Ref. No.	Name of Part	Qty	Part No. Per Pressure		
			100	125	150
	20 H.P. DRIVE GP.....		EJB81301	EJB81302	EJB81303
1	SHEAVE, COMPR.....	1	73M43V45	73M43V50	73M43V56
2	HUB-BUSHING.....	1	22F20SDS	*	*
3	SQ.KEY.....	1	35B33	*	*
4	SHEAVE, MTR.....	1	201EJB099	*	204EJB099
5	SO HD SET SCREW.....	2	76F65	*	*
6	BELT SET.....	1	13AG6304	*	*
7	FAN.....	1	203EBE701	*	*
8	SCREW.....	3	655ED030	*	*
9	LOCKWASHER.....	3	95B3	*	*
10	RELIEF VALVE.....	1	90AR661	90AR662	90AR663

\* P/N SAME AS 100 PSI UNIT - PER H.P. FAMILY

Ref. No.	Name of Part	Qty	Part No. Per Pressure			
			100	125	150	175
	25 H.P. DRIVE GP.....		EJB81304	EJB81305	EJB81306	EJB81307
1	SHEAVE, COMPR.....	1	73M43V47	73M43V45	73M43V60	73M43V69
2	HUB-BUSHING.....	1	22F20SDS	22F20SDS	22F20SK	22F20SK
3	SQ.KEY.....	1	35B33	*	*	*
4	SHEAVE, MTR.....	1	202EJB099	203EJB099	202EJB099	200EJB099
5	SO HD SET SCREW.....	2	76F65	*	*	*
6	BELT SET.....	1	13AG6704	13AG6304	13AG7104	13AG7104
7	FAN.....	1	202EBE701	*	*	*
8	SCREW.....	3	655ED030	*	*	*
9	LOCKWASHER.....	3	95B3	*	*	*
10	RELIEF VALVE.....	1	**	90AR662	90AR663	90AR657

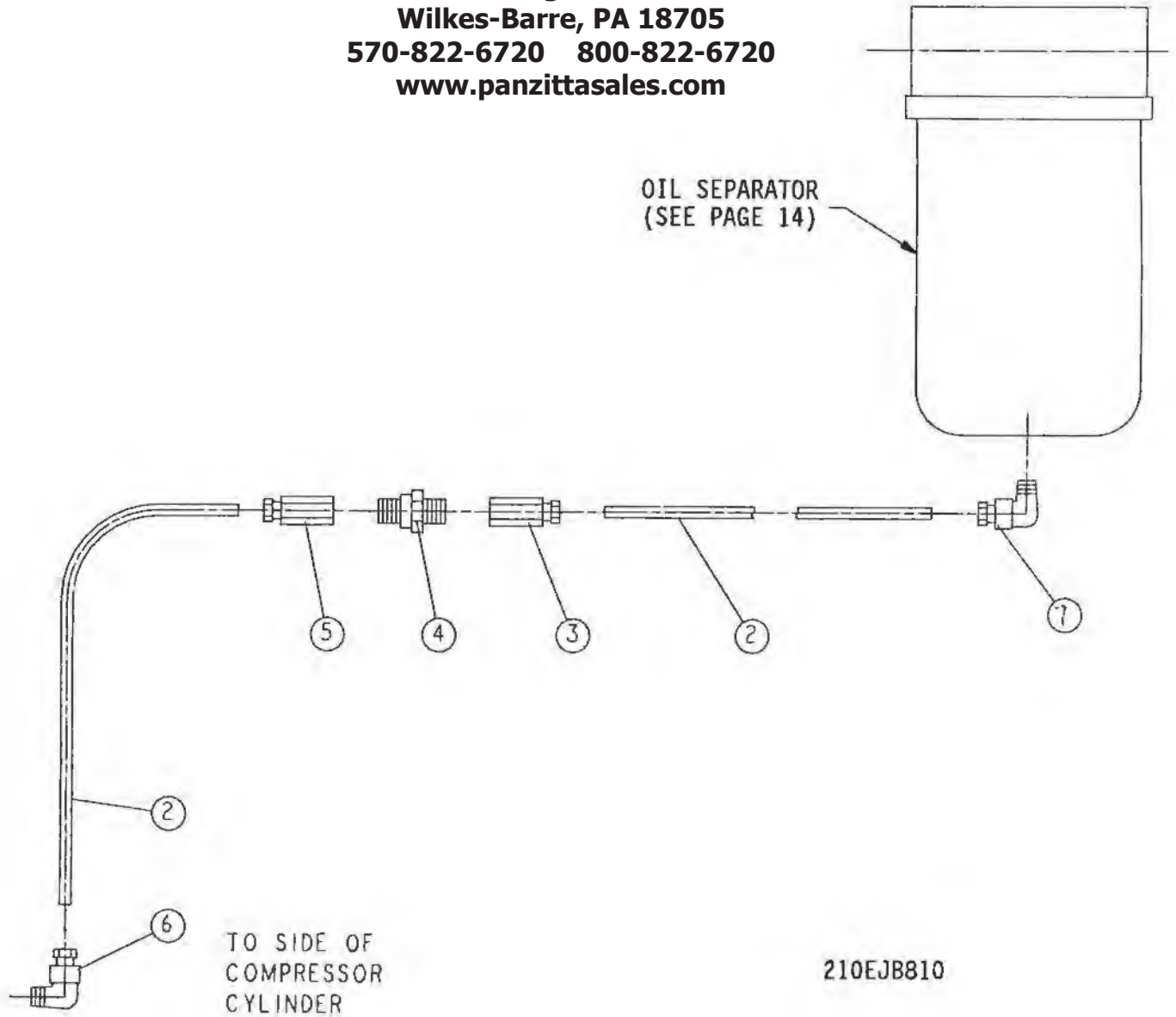
\*\* (2) 90G223 RELIEF VALVES REQUIRED

Ref. No.	Name of Part	Qty	Part No. Per Pressure			
			100	125	150	175
	30 H.P. DRIVE GP.....		EJB81308	EJB81309	EJB81310	EJB81311
1	SHEAVE, COMPR.....	1	73M43V45	73M43V47	73M43V47	73M43V60
2	HUB-BUSHING.....	1	22F20SDS	*	*	22F20SK
3	SQ.KEY.....	1	35B33	*	*	*
4	SHEAVE, MTR.....	1	200EJB099	*	202EJB099	200EJB099
5	SO HD SET SCREW.....	2	76F65	*	*	*
6	BELT SET.....	1	13AG7104	*	13AG6704	13AG7104
7	FAN.....	1	202EBE701	*	*	*
8	SCREW.....	3	655ED030	*	*	*
9	LOCKWASHER.....	3	95B3	*	*	*
10	RELIEF VALVE.....	1	**	90AR662	90AR663	90AR657

\*\* (2) 90G223 RELIEF VALVES REQUIRED

**PANZITTA SALES & SERVICE**  
**72 George Avenue**  
**Wilkes-Barre, PA 18705**  
**570-822-6720 800-822-6720**  
**www.panzittasales.com**

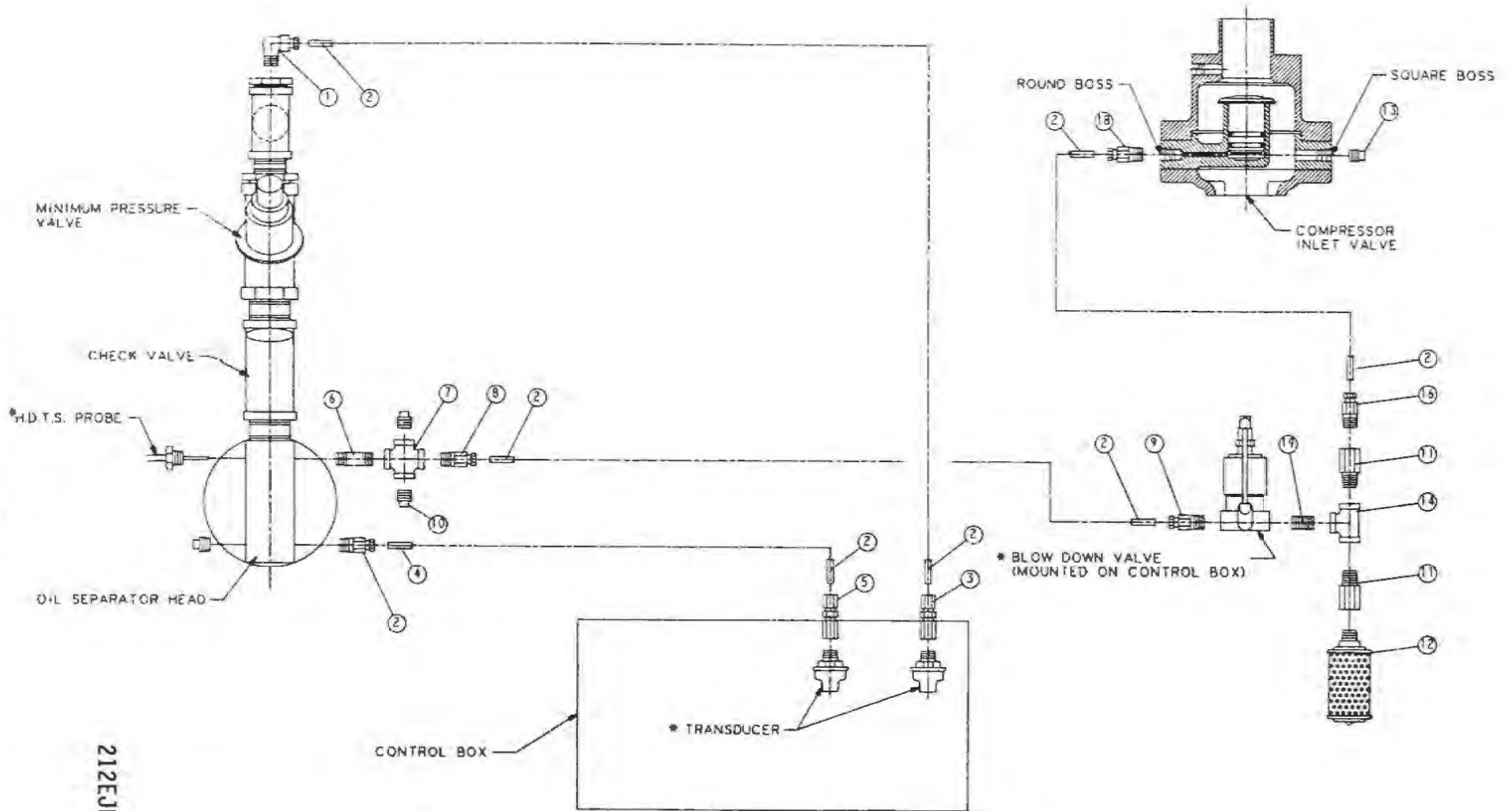
**PANZITTA SALES & SERVICE**  
**72 George Avenue**  
**Wilkes-Barre, PA 18705**  
**570-822-6720 800-822-6720**  
**www.panzittasales.com**



Ref. No.	NAME OF PART	QTY	PART NO.
<b>OIL RETURN LINE</b>			
2	TUBE.....	5	85K3
3	CONNECTOR-TUBE.....	1	86E28
4	VALVE-CHECK.....	1	90AR261
5	CONNECTOR-TUBE.....	1	86E28
6	ELBOW-TUBE.....	1	86E59
7	CONNECTOR-TUBE.....	1	86E3

**PANZITTA SALES & SERVICE**  
**72 George Avenue**  
**Wilkes-Barre, PA 18705**  
**570-822-6720 800-822-6720**  
**www.panzittasales.com**

13-8-505 Page 24



212EJB810

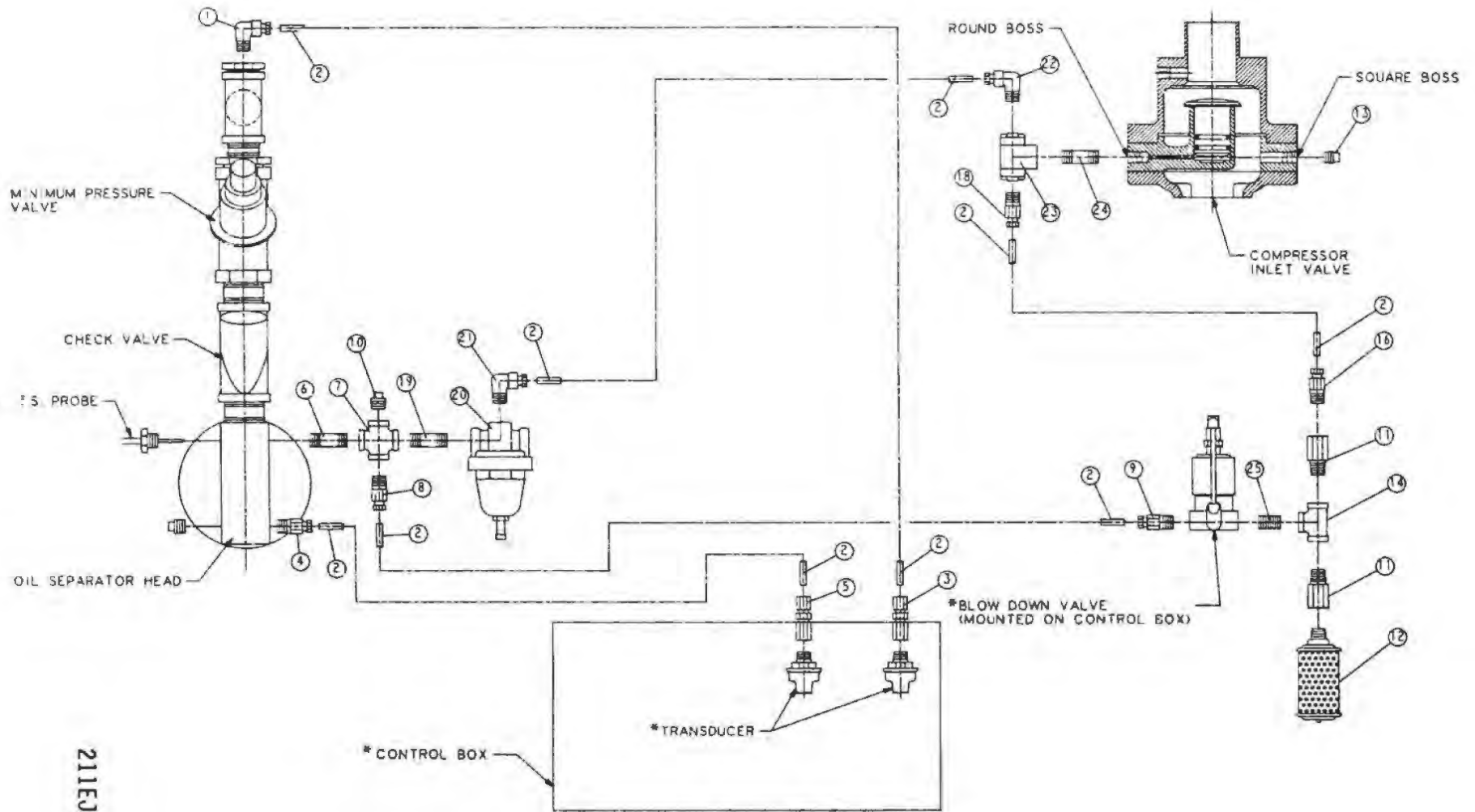
\* SEE PAGE 9 FOR PART NUMBERS.

Ref. No.	NAME OF PART	QTY	PART NO.
<b>CONTROL GROUP - DUAL (OPTIONAL)</b>			
1	ELBOW-TUBE.....	1	86E60
2	TUBE.....	10	85K3
3	CONNECTOR.....	1	86N218
4	CONNECTOR-TUBE.....	1	86E4
5	CONNECTOR.....	1	86N218
6	NIPPLE-PIPE.....	1	63D3G
7	CROSS-PIPE.....	1	64K1G
8	CONNECTOR-TUBE.....	1	86E4
9	CONNECTOR-TUBE.....	1	86E4
10	PLUG-SQ HD PIPE.....	1	64AA5
11	ORIFICE.....	2	200SSQ814
12	MUFFLER.....	1	43E4
13	PLUG-PIPE.....	1	64B15
14	TEE-PIPE.....	1	64T38G
16	CONNECTOR-TUBE.....	1	86E4
18	CONNECTOR-TUBE.....	1	86E4
19	NIPPLE-PIPE.....	1	64D1G

**PANZITTA SALES & SERVICE**  
**72 George Avenue**  
**Wilkes-Barre, PA 18705**  
**570-822-6720 800-822-6720**  
**www.panzittasales.com**

**PANZITTA SALES & SERVICE**  
**72 George Avenue**  
**Wilkes-Barre, PA 18705**  
**570-822-6720 800-822-6720**  
**www.panzittasales.com**

13-8-505 Page 26



211EJ810

\* SEE PAGE 9 FOR PART NUMBERS.



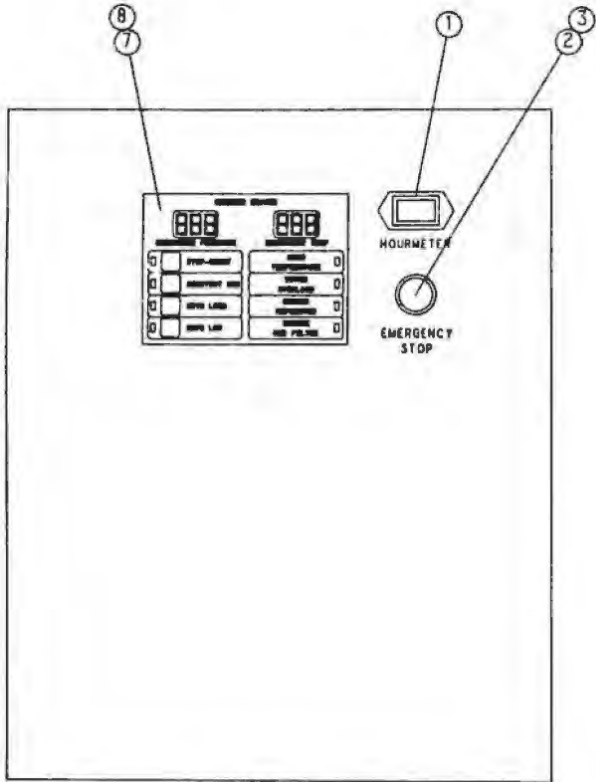
Ref. No.	NAME OF PART	QTY	PART NO.
<b>* CONTROL GROUP - MODULATING (STANDARD)</b>			
1	ELBOW-TUBE.....	1	86E60
2	TUBE.....	9	85K3
3	CONNECTOR.....	1	86N218
4	CONNECTOR-STRAIGHT.....	1	86E4
5	CONNECTOR.....	1	86N218
6	NIPPLE-PIPE.....	1	63D3G
7	CROSS-PIPE.....	1	64K1G
8	CONNECTOR-TUBE.....	1	86E4
9	CONNECTOR-TUBE.....	1	86E4
10	PLUG-SQ HD PIPE.....	2	64AA5
11	ORIFICE.....	2	200SSQ814
12	MUFFLER.....	1	43E4
13	PLUG, SQ HD PIPE.....	1	64B15
14	TEE-PIPE.....	1	64T38G
16	CONNECTOR-TUBE.....	1	86E4
18	CONNECTOR, STRAIGHT.....	1	86E4
19	NIPPLE-PIPE.....	1	63D3G
20	VALVE-SUB/PILOT.....	1	2009398
21	ELBOW-TUBE.....	1	86E60
22	ELBOW-TUBE.....	1	86E60
23	VALVE.....	1	90AR107
24	NIPPLE-PIPE.....	1	63D3G
25	NIPPLE-PIPE.....	1	63D1G

\* MODULATING CONTROL TO BE INSTALLED AS STD., EFFECTIVE 11/19/90, AT FACTORY. USE 200EJB6003 CONVERSION KIT FOR FIELD CONVERSION FROM DUAL TO MODULATING CONTROL.

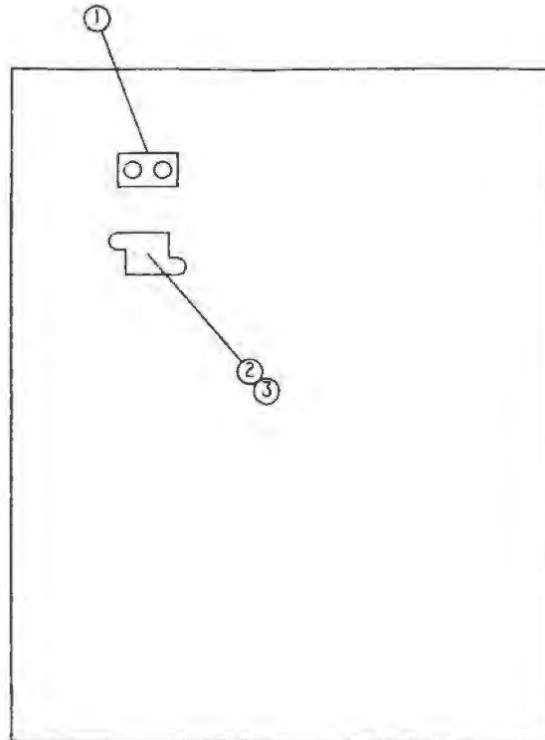
**PANZITTA SALES & SERVICE**  
**72 George Avenue**  
**Wilkes-Barre, PA 18705**  
**570-822-6720 800-822-6720**  
**www.panzittasales.com**

**PANZITTA SALES & SERVICE**  
**72 George Avenue**  
**Wilkes-Barre, PA 18705**  
**570-822-6720 800-822-6720**  
**www.panzittasales.com**

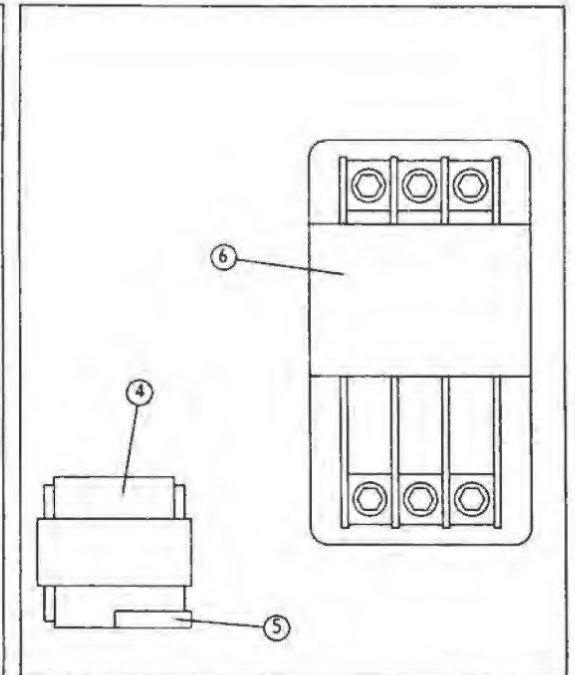
13-8-505 Page 28



FRONT VIEW - (DOOR)



REAR VIEW - COVER (DOOR)



FRONT VIEW - CONTROL CABINET

**CONTROL PANEL GROUP**

Ref. No.	NAME OF PART	QTY	PART NO.
1	METER-HOUR (60 HZ).....	1	24CA2895
2	OPERATOR 22MM PUSH-PULL E-STOP.....	1	24CA2907
3	CONTACT BLOCK E22B1 SPNC.....	1	24CA2908
4	TRANSFORMER .060KVA (60VA) 24V SECONDARY SELECT PER VOLTAGE:		
	208 VOLT.....	1	2116386
	230/460 VOLT.....	1	2116385
	575 VOLT.....	1	2116387
4	TRANSFORMER .095KVA (95VA) 24V SECONDARY SELECT PER VOLTAGE:		
	208 VOLT.....	1	2116389
	230/460 VOLT.....	1	2116388
	575 VOLT.....	1	2116390
4	TRANSFORMER .180KVA (180VA) 24V SECONDARY SELECT PER VOLTAGE:		
	208 VOLT.....	1	2116392
	230/460 VOLT.....	1	2116391
	575 VOLT.....	1	2116393
5	SECONDARY FUSES		
	MSL3.....	1	24CA2915
	MSL5.....	1	24CA2797
	MSL10.....	1	24CA2916
6	STARTER, COMPR MTR-SIZE F (LESS N.O. AUX CONTACT).....	1	24CA2909
	RELAY, 3 POLE, 24V, 60 HZ.....	1	24CA2906
	COIL, 24V, 60 HZ.....	1	2116394
	RELAY, 3 POLE, O.L., 32 AMP.....	1	24CA2501
	(15/20 HP, 460V - 15/20/25 HP - 575V)		
6	STARTER, COMPR MTR-SIZE K (LESS N.O. AUX CONTACT).....	1	24CA2910
	CONTACT, KIT - 3 POLE.....	1	2116383
	COIL, 24V, 60 HZ.....	1	2116395
	RELAY, 3 POLE, O.L., 75 AMP.....	1	24CA2611
	(15/20 HP-200V, 15/20/25 HP-230V, 25/30 HP-460V, 30 HP-575V)		
6	STARTER, COMPR MTR-SIZE M.....	1	24CA2911
	CONTACT, KIT - 3 POLE.....	1	2116384
	COIL, 24V, 60 HZ.....	1	2116396
	RELAY, 3 POLE, O.L. - 100 AMP.....	1	24CA2905
	(25/30 HP - 200V, 30 HP - 230V)		
7	KEYPAD.....	1	200EJ8375
8	CONTROL BOARD.....	1	200EJB560
+	FUSE, CONTROL BOARD.....	1	24CA2932
	DECAL, CONTROL BOARD FUSE.....	1	277AUX077
+	DECAL, FUSE (SECONDARY)		
	5 AMP (MSL5).....	1	267AUX077
	3 AMP (MSL3).....	1	275AUX077
	10 AMP (MSL-10).....	1	276AUX077

**CONTROL/STARTER BOX  
(COL. CODE 9 - W/O.L. HTRS & FUSETRONS)**

**W/MAIN MTR STARTER**

H.P.	VOLTAGE	CONTROL/STARTER BOX		* WIRING	O.L. HEATERS (3)	(PRIMARY)	FUSE
		NEMA 12	NEMA 4	HARNESS GP		FUSETRON (2)	DECAL
15	200	200EJB466	210EJB466	EJB81332	24CA2607	24CA2781	260AUX077
15	230	204EJB466	214EJB466	EJB81333	24CA2606	24CA2781	260AUX077
15	460	203EJB466	213EJB466	EJB81334	24CA2603	24CA2897	272AUX077
15	575	207EJB466	217EJB466	EJB81335	24CA2603	24CA2897	272AUX077
20	200	200EJB466	210EJB466	EJB81336	24CA2608	24CA2781	260AUX077
20	230	204EJB466	214EJB466	EJB81337	24CA2607	24CA2781	260AUX077
20	460	203EJB466	213EJB466	EJB81338	24CA2604	24CA2897	272AUX077
20	575	207EJB466	217EJB466	EJB81339	24CA2604	24CA2897	272AUX077
25	200	201EJB466	211EJB466	EJB81340	24CA2893	24CA2781	260AUX077
25	230	204EJB466	214EJB466	EJB81341	24CA2608	24CA2781	260AUX077
25	460	204EJB466	214EJB466	EJB81342	24CA2605	24CA2897	272AUX077
25	575	207EJB466	217EJB466	EJB81343	24CA2604	24CA2897	272AUX077
30	200	201EJB466	211EJB466	EJB81344	24CA2894	24CA2781	260AUX077
30	230	205EJB466	215EJB466	EJB81345	24CA2894	24CA2781	260AUX077
30	460	204EJB466	214EJB466	EJB81346	24CA2606	24CA2897	272AUX077
30	575	208EJB466	218EJB466	EJB81347	24CA2605	24CA2897	272AUX077

\* INCLUDES O.L. HEATERS (3) & FUSETRONS (2) AS INDICATED; ALSO WIRING COMPONENTS FOR BOX TO MTR.

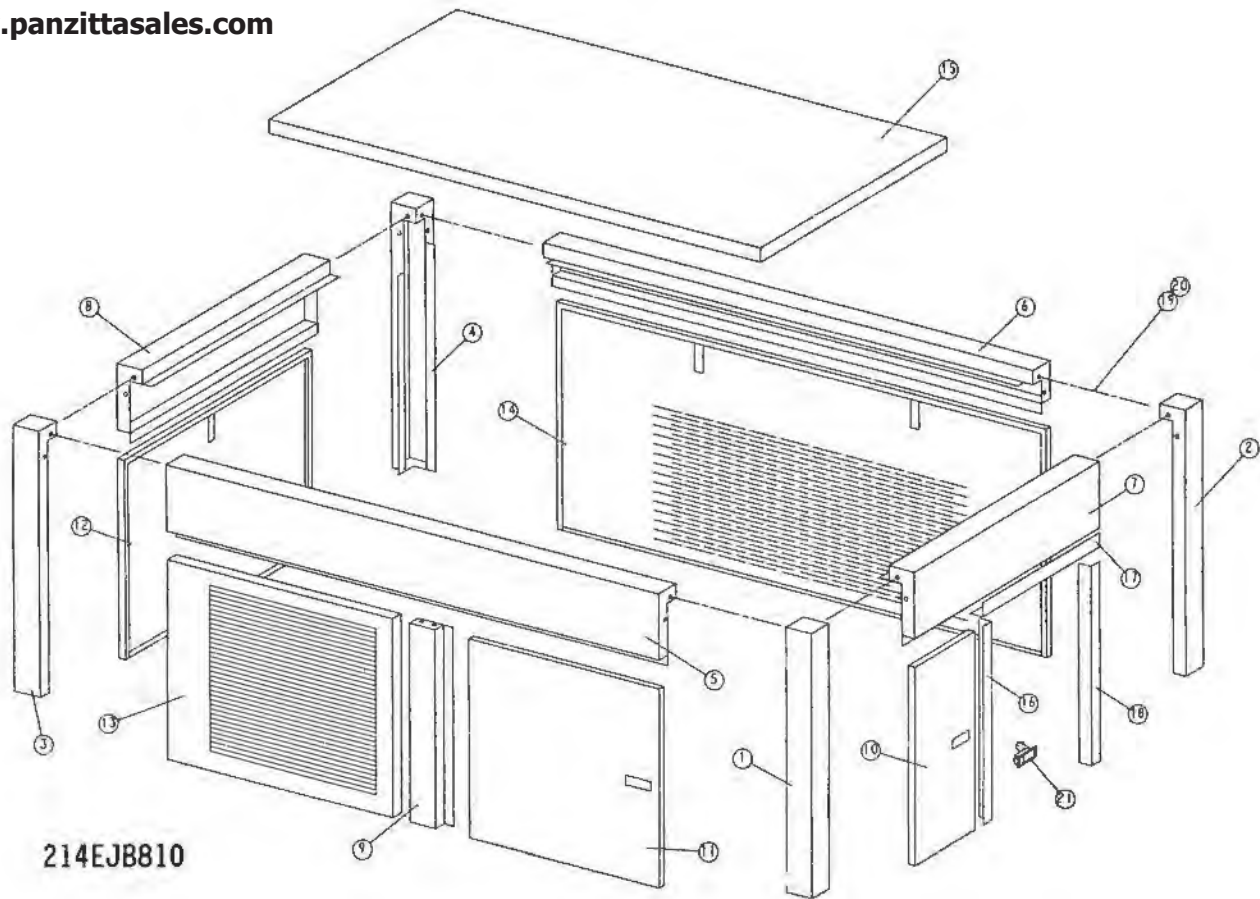
**W/O MAIN MOTOR STARTER**

15	200	202EJB466	212EJB466	-----	-----
20	230	206EJB466	216EJB466	-----	-----
25	460	206EJB466	216EJB466	-----	-----
30	575	209EJB466	219EJB466	-----	-----

**PANZITTA SALES & SERVICE**  
**72 George Avenue**  
**Wilkes-Barre, PA 18705**  
**570-822-6720 800-822-6720**  
**www.panzittasales.com**

	OPEN DRIP-PROOF (60 HZ) (ODP)				HI-EFF. OPEN DRIP-PROOF (60 HZ) (ODP)				TOTALLY ENCLOSED FAN COOLED (60 HZ) (TEFC)			
	200V	230V	460V	575V	200V	230V	460V	575V	200V	230V	460V	575V
COL. OPT. #	12-A	12-B	12-C	12-D	12-E	12-F	12-G	12-H	12-I	12-J	12-K	12-L
15 HP	24AW8	24AW24	24AW24	24AW43	24CA1489	24CA1509	24CA1509	24CA1536	24CA2385	24CA2386	24CA2386	24CA2387
20 HP	24AW9	24AW25	24AW25	24AW44	24CA1490	24CA1510	24CA1510	24CA1537	24CA2388	24CA2389	24CA2389	24CA2390
25 HP	24AW10	24AW26	24AW26	24AW45	24CA1491	24CA1511	24CA1511	24CA1538	24CA2391	24CA2392	24CA2392	24CA2393
30 HP	24AW11	24AW27	24AW27	24AW46	24CA1492	24CA1512	24CA1512	24CA1539	24CA2394	24CA2395	24CA2395	24CA2396

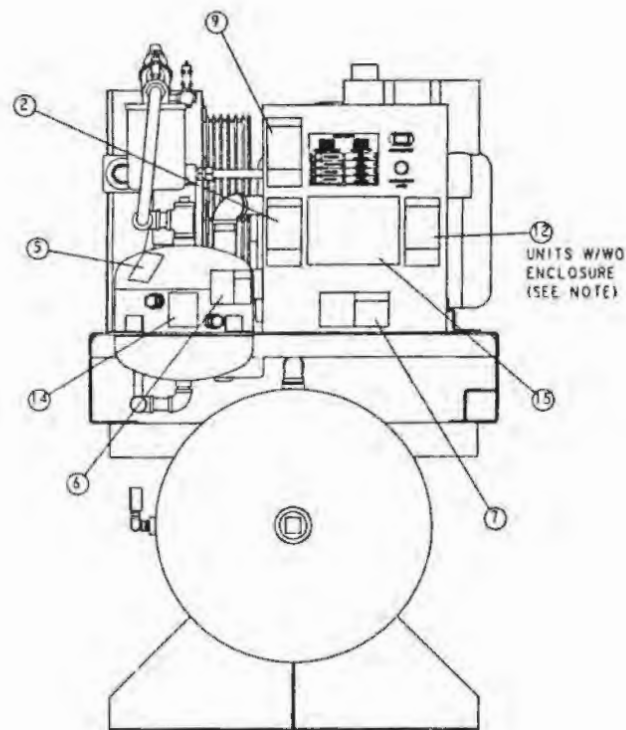
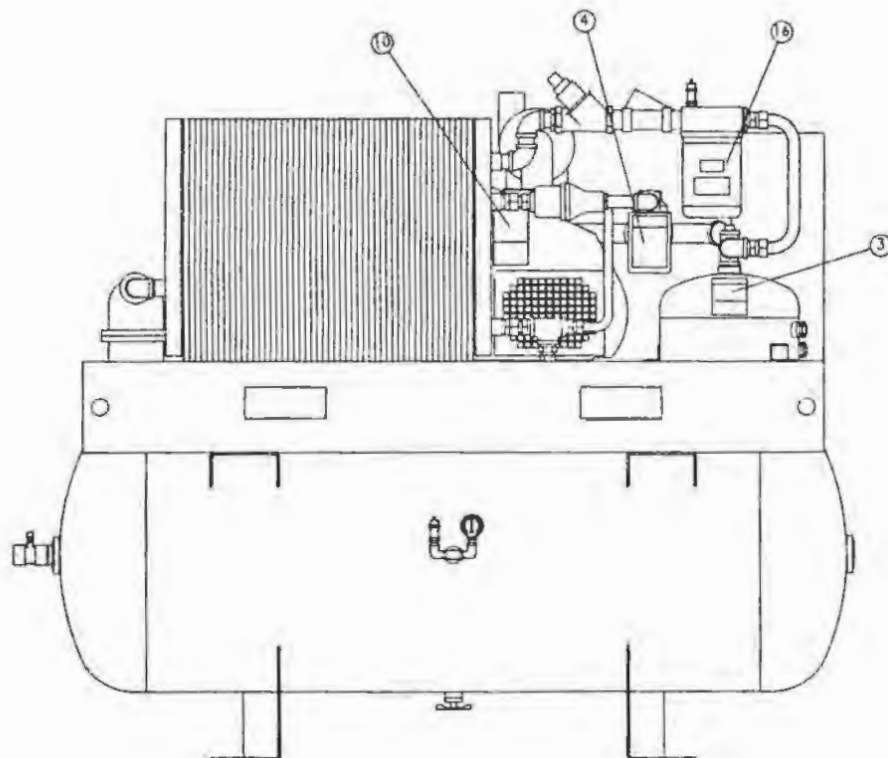
**PANZITTA SALES & SERVICE**  
**72 George Avenue**  
**Wilkes-Barre, PA 18705**  
**570-822-6720 800-822-6720**  
**www.panzittasales.com**



214EJB810

Ref. No.	NAME OF PART	QTY	PART NO.
1	POST.....	1	201EJB313
2	POST.....	1	200EJB313
3	POST.....	1	202EJB313
4	POST.....	1	203EJB313
5	FRAME.....	1	203EJB314
6	FRAME.....	1	202EJB314
7	FRAME.....	1	201EJB314
8	FRAME.....	1	200EJB314
9	BRACE.....	1	200EJB326
10	DOOR.....	1	201EJB334
11	DOOR.....	1	200EJB334
12	PANEL.....	1	201EJB216
13	PANEL.....	1	203EJB216
14	PANEL.....	1	202EJB216
15	PANEL.....	1	200EJB216
16	BRACKET.....	1	201EJB142
17	BRACKET.....	1	200EJB142
18	BRACKET.....	1	201EJB142
19	SCREW-FLANGED.....	42	75LM51
20	NUT-FLANGED.....	34	50AW5
21	LATCH.....	5	31D51
21	TRIM SEAL.....	28	32E12

13-8-505 Page 33



Ref. No.	Name	Qty.	Part No.	Ref. No.	Name	Qty.	Part No.
IDENTIFICATION GROUP				IDENTIFICATION GP (CONT.)			
2	DECAL (SEE DIAG).....	1	222EAQ077	9	DECAL (READ MAN.).....	1	215EAQ077
3	DECAL (HOT OIL).....	1	212EAQ077	10	DECAL (ROT. MCY).....	1	211EAQ077
4	DECAL (USE G-D).....	1	214EAQ077	12	DECAL (AUTO RESTART)..	4	207EAQ077
5	DECAL (AEON 4000).....	1	228EAQ077	14	DECAL (OIL LEVEL).....	1	200EJB077
6	DECAL (INSP. RESVR)...	1	217EAQ077	15	DECAL (CONT. BOX).....	1	201EJB077
7	DECAL (DO NOT MOD.)...	1	218EAQ077	16	DECAL (OIL SEPR).....	1	203EJB077

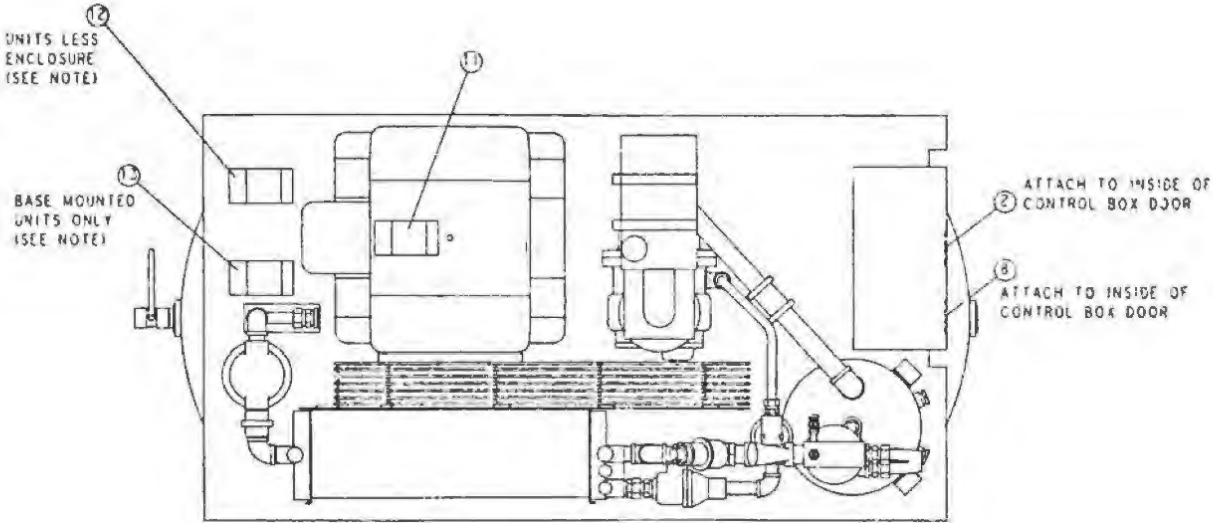
**PANZITTA SALES & SERVICE**

**72 George Avenue  
 Wilkes-Barre, PA 18705  
 570-822-6720 800-822-6720  
 www.panzittasales.com**

NOTE  
 DET NO.1 NOT SHOWN

DET NO.12 IS USED IN 2 PLACES AS SHOWN  
 ON UNITS FURNISHED LESS ENCLOSURE.  
 DET NO.12 IS USED IN 5 PLACES ON UNITS  
 FURNISHED WITH ENCLOSURE. ONE MOUNTED  
 ON CONTROL BOX DOOR AND ONE EACH MOUNTED  
 ON THE 4 ENCLOSURE DOOR OPENINGS.

DET NO.13 IS FURNISHED ONCE PER UNIT  
 AND IS MOUNTED IN 2 DIFFERENT LOCATIONS  
 AS SHOWN FOR BASE OR TANK MOUNTED UNITS



13-8-505 Page 34

Ref. No.	Name of Part	Qty.	Part No.
<b>IDENTIFICATION GROUP</b>			
2	DECAL (SEE DIAGRAM).....	Noted	222EAQ077
8	DECAL (ELEC. SHOCK).....	1	216EAQ077
11	DECAL (DO NOT LIFT).....	1	208EAQ077
12	DECAL (AUTO RESTART).....	Noted	207EAQ077
13	DECAL (DO NOT BREATH).....	2	206EAQ077
27	DECAL (ROTATION) (NOT SHOWN).....	1	204EBE077



**REPAIR KITS**

NAME OF KIT	QTY	BOM NO.
ROUTINE MAINT. (3000 HRS) - H.D. AIR FIL.....		EBE80665
ELEMENT, AIR FILTER (5L220).....	2	2116150
ELEMENT, OIL FILTER 26C27).....	3	2116128
PERIODIC MAINT. (9000 HRS).....		EJB81372
PACKING RING, BLOCK VEE.....	1	60DD567
ELECTRICAL CONTROL.....		EJB81373
VALVE-SOLENOID.....	1	91B77
SWITCH-VACUUM.....	1	88H195
PRESSURE TRANSDUCER.....	2	88H198
THERMISTOR PROBE.....	2	21D231
PNEUMATIC CONTROL - MODULATING CONTROL.....		EJB81375
VALVE-SUBTRACTIVE PILOT.....	1	2009398
VALVE-SHUTTLE.....	1	90AR107
KIT-TOUCH-UP, PAINT (1) QT. ....		200EDE6003
PAINT.....	1	28H62
PAINT.....	1	28H63
PERIODIC OVERHAUL.....		EJB81376
BEARING, TAPERED ROLLER.....	2	00543308 0006
BEARING, TAPERED ROLLER.....	1	00543308 0007
BEARING, TAPERED ROLLER.....	1	00543308 0052
SEAL, SHAFT.....	1	60DD594
GASKET KIT.....	1	JSB81377
GASKET KIT, AIR END.....		JSB81377
GASKET, STATOR.....	1	01663742 0216
GASKET, BRG CAP.....	1	01663742 0217
GASKET, ADAPTOR.....	1	01663742 0218
GASKET ELIMINATOR.....	1	25BC222

**PANZITTA SALES & SERVICE**  
**72 George Avenue**  
**Wilkes-Barre, PA 18705**  
**570-822-6720 800-822-6720**  
**www.panzittasales.com**