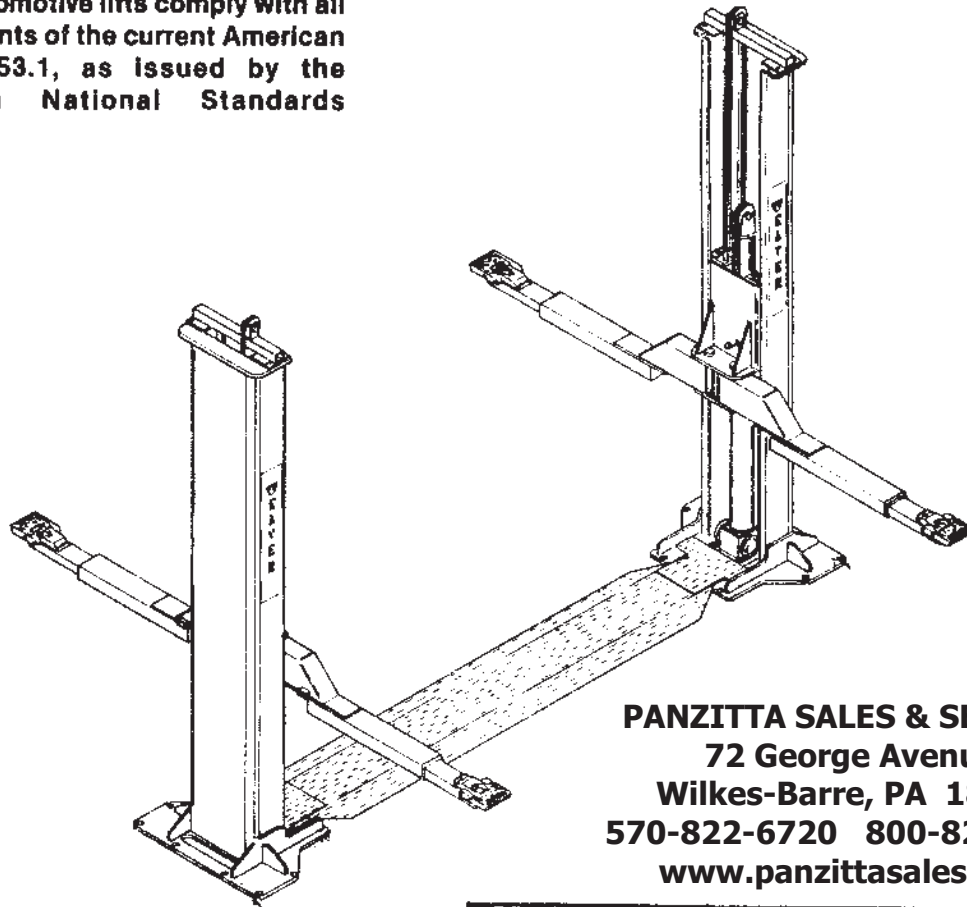


WEAVER®

PARTS LIST FOR TWO POST (SURFACE MOUNTED) HYDRAULIC LIFT

These automotive lifts comply with all requirements of the current American ANSI B153.1, as issued by the American National Standards Institute.



PANZITTA SALES & SERVICE
72 George Avenue
Wilkes-Barre, PA 18705
570-822-6720 800-822-6720
www.panzittasales.com

(AFH-90B SHOWN)

MODEL	CAPACITY	
AFH-50A	5000 lbs.	2,268 Kg
AFH-70B	7000 lbs.	3,175 Kg
AFH-90B	9000 lbs.	4,082 Kg

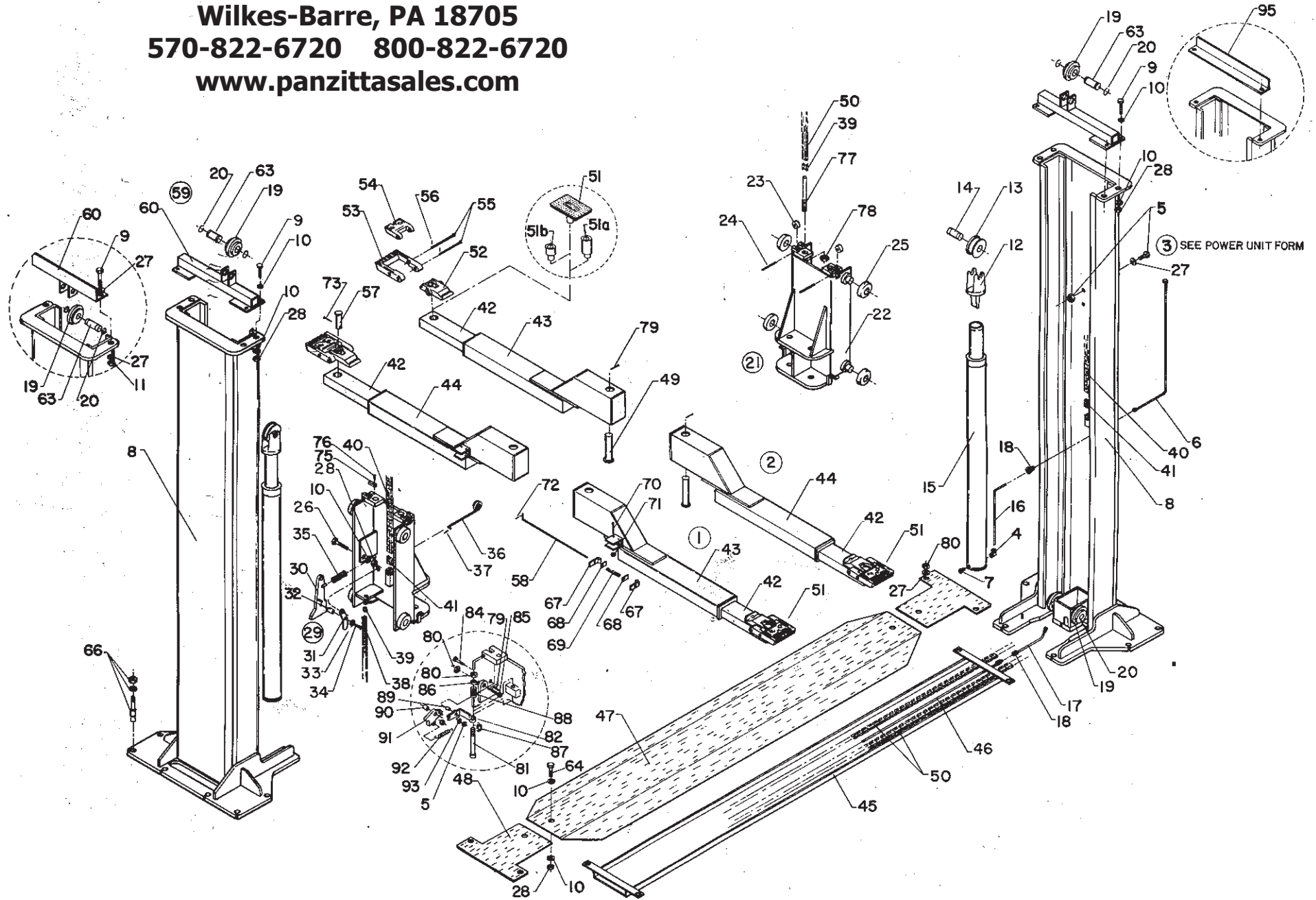
MODEL NO. _____ INSTALLER _____

SERIAL NO. _____

DATE INSTALLED _____

WARNING
Do not start installation before studying this booklet to become familiar with installation procedure. Acquaint yourself with model type to avoid improper installation.

PANZITTA SALES & SERVICE
72 George Avenue
Wilkes-Barre, PA 18705
570-822-6720 800-822-6720
www.panzittasales.com



PARTS LIST

#	PART NO.	QUANTITY						DESCRIPTION	#	PART NO.	QUANTITY						DESCRIPTION	
		50	50FM	70B	70BFM	90B	90BFM				50	50FM	70B	70BFM	90B	90BFM		
1.	1087404	-	-	-	-	2	2	ARM ASS'Y, RIGHT (INCLUDES 43.51,57,73)	42.	1086532	-	-	4	4	-	-	EXTENTION ARM W.A.	
2.	1087405	-	-	-	-	2	2	ARM ASS'Y, LEFT, (INCLUDES 44.51,57,73)	1086587	4	4	-	-	-	-	-	EXTENTION ARM W.A.	
3.	SEE FORM	1	1	1	1	1	1	POWER UNIT (ORDER BY CYCLE AND PHASE)	43.	1085982	-	-	-	-	2	2	ARM W.A. RIGHT SIDE (INCL. EXT. ARM, ITEM 42)	
4.	1086139	2	2	2	2	2	2	COMPRESSION ELBOW	1085996	2	2	-	-	-	-	-	ARM W.A. RIGHT ARM	
5.	1086695	4	4	4	4	4	4	LOCKNUT, 5/16"-18	1086373	-	-	2	2	-	-	-	ARM W.A. RIGHT ARM	
	S-7428	4	4	4	4	4	4	HEX HD. BOLT, 5/16"-18 x 3/4"	44.	1085983	-	-	-	-	2	2	ARM W.A. LEFT SIDE (INCL. EXT. ARM, ITEM 42)	
6.	1087303	1	1	1	1	1	1	HYD. LINE. POWER UNIT	1085997	2	2	-	-	-	-	-	ARM W.A. LEFT ARM	
7.	1086136	-	-	2	2	2	2	HYD. STRAIT FITTING	1086372	-	-	2	2	-	-	-	ARM W.A. LEFT ARM	
8.	1086558	-	-	2	-	-	-	MAST W.A.	45.	1086071	-	-	1	-	-	-	CHAIN TROUGH	
	1087191	-	-	-	2	-	-	MAST W.A.	1086445	-	-	-	1	-	-	-	CHAIN TROUGH	
	1086559	-	-	-	-	2	-	MAST W.A.	1086054	-	-	-	-	1	-	-	CHAIN TROUGH	
	1087192	-	-	-	-	-	2	MAST W.A.	1086709	-	1	-	-	-	-	-	CHAIN TROUGH	
	1086650	1	-	-	-	-	-	MAST W.A. (POWER)	1086428	-	-	-	-	-	-	-	CHAIN TROUGH	
	1086537	1	-	-	-	-	-	MAST W.A. (SLAVE)	46.	1086073	-	-	1	-	-	-	HYD. LINE BETWEEN CYL.	
	1086397	-	1	-	-	-	-	MAST W.A. (POWER)	1086057	-	-	-	-	1	-	-	HYD. LINE BETWEEN CYL.	
	1086398	-	1	-	-	-	-	MAST W.A. (SLAVE)	1087446	-	-	-	1	-	-	-	HYD. LINE	
9.	S-16329	-	-	8	8	8	8	HEX HD. BOLT, 5/8"-11 x 2 1/2" GD2	1087447	-	-	-	-	-	-	-	HYD. LINE	
	G-181167	4	4	-	-	-	-	HEX HD. BOLT, 1/2"-13 x 1 1/4" GD5	1087445	-	-	-	1	-	-	-	HYD. LINE	
10.	S-21137	-	-	22	22	22	22	WASHER, 5/8"	47.	1086072	-	-	1	-	-	-	CHAIN TROUGH COVER	
11.	S-12540	4	4	-	-	-	-	LOCKNUT, 1/2"-13	1086588	1	-	-	-	-	-	-	CHAIN TROUGH COVER	
12.	1086690	1	1	2	2	2	2	LIFT WHEEL YOKE - CASTING - USE WITH HOLLOW PISTON ROD	1087333	-	-	-	1	-	-	-	CHAIN TROUGH COVER	
								LIFT WHEEL ASS'Y	1086055	-	-	-	1	-	-	-	CHAIN TROUGH COVER	
13.	1086519	1	1	2	2	2	2	LIFT WHEEL SHAFT - USE WITH CAST YOKE	1087332	-	-	-	-	-	-	-	CHAIN TROUGH COVER	
14.	1087223	1	1	2	2	2	2	HYD. CYL. ASS'Y (HYD. FITTING AT BOTTOM)	1086710	-	1	-	-	-	-	-	CHAIN TROUGH COVER	
15.	1087415	-	-	2	2	2	2	HYD. RAM ASS'Y (HYD. FITTING AT TOP) OLD STYLE AFH-70/90	48.	1086056	-	-	2	-	2	-	BASE CLOSING PLATE	
	1085951	-	-	-	-	-	-	GLAND AND SEAL REPACKING KIT FOR 1085951	1087226	-	-	-	2	-	2	-	BASE CLOSING PLATE	
	KL-284	-	-	-	-	-	-	SEAL REPACKING KIT FOR 1085951	49.	1086530	-	-	4	4	-	-	PIVOT PIN	
	KL-293	-	-	-	-	-	-	HYD. RAM ASS'Y	1086036	4	4	-	-	-	-	-	PIVOT PIN	
	1087505	1	1	-	-	-	-	CONVERTS OLD 1086600 CYL. TO NEW 1087505, AFH-50	1088098	-	-	-	-	4	4	-	PIVOT PIN	
	KL-312	-	-	-	-	-	-	HYD. LINE CYLINDER	50.	1086582	-	-	2	2	-	-	EQUALIZING CHAIN ROLLERLESS 255"	
16.	1087302	-	-	1	1	1	1	HYD. LINE CYLINDER	1086713	1	1	-	-	-	-	-	EQUALIZING CHAIN ROLLERLESS 89"	
	1087470	1	1	-	-	-	-	HYD. LINE	1086583	-	-	-	-	2	2	-	EQUALIZING CHAIN ROLLERLESS 191"	
17.	1087414	-	-	2	2	2	2	HYD. COUPLING	51.	1086326	-	-	-	-	4	4	-	EQUALIZING CHAIN ROLLERLESS 285"
18.	1086098	1	1	3	4	3	4	CHAIN GUIDE WHEEL	1085831	4	4	4	4	-	-	-	SWIVEL ADAPTOR ASS'Y (INCLUDES 52-56)	
19.	1086302	-	2	6	6	6	6	CHAIN GUIDE WHEEL	51a.	1086635	2	2	2	2	-	-	SWIVEL FOOT PAD (STEEL)	
	1086677	3	1	-	-	-	-	RETAINING RING, 1 3/8" EXT.	51b.	1086636	4	4	4	4	-	-	SWIVEL FOOT PAD (LONG)	
20.	1086092	-	4	8	8	8	8	RETAINING RING, 1" E TYPE	52.	M-2140	-	-	-	-	-	-	SWIVEL FOOT PAD (SHORT)	
	1087394	6	2	-	-	-	-	CARRIAGE ASS'Y (INCLUDES, 22-41,75-76)	53.	M-2139	-	-	-	-	4	4	-	ADAPTER BASE
21.	1085802	-	-	2	2	-	-	CARRIAGE ASS'Y POWER (INCLUDES, 22-41,50,75-76,79-94)	54.	M-2138	-	-	-	-	4	4	-	ADAPTER HIGH PAD
	1085986	-	-	-	2	2	2	CARRIAGE ASS'Y SLAVE (INCLUDES, 22-39,50,75-76)	55.	S-19977	-	-	-	-	8	8	-	ADAPTER LOW PAD
	1086330	1	1	-	-	-	-	CARRIAGE WELD	56.	S-19326	-	-	-	-	8	8	-	CLEVIS PIN
	1086332	1	1	-	-	-	-	CARRIAGE WELD SLAVE	57.	1086325	-	-	-	-	4	4	-	ROLL PIN, 1/8" x 5/16"
22.	1086508	-	-	2	2	-	-	CARRIAGE WELD	58.	1086371	4	4	4	4	-	-	-	SWIVEL PIN
	1087213	1	1	-	-	-	-	CARRIAGE WELD POWER	59.	1086566	-	-	2	2	2	2	-	ARM LOCK ROD
	1086389	1	1	-	-	-	-	CARRIAGE WELD	1086647	1	1	-	-	-	-	-	-	ARM LOCK ROD
	1085985	-	-	-	2	2	2	CAM ROLLER	60.	1086567	-	-	2	2	2	2	-	WHEEL CARRIER ASS'Y (INCLUDES 60,19,20,63)
23.	1086095	8	8	8	8	8	8	CAM ROLLER	63.	1086668	-	-	2	2	2	2	-	WHEEL CARRIER BRKT.
24.	1088096	-	-	8	8	8	8	ROLL PIN 7/16" x 2 1/4"	1086645	3	3	-	-	-	-	-	-	WHEEL CARRIER BRKT.
	1086565	8	8	-	-	-	-	ROLL PIN 7/16" x 4"	64.	S-1203	-	-	-	2	2	-	-	GUIDE WHEEL SHAFT
25.	1086665	8	8	8	8	8	8	CARRIAGE ROLLER ASS'Y	66.	1086130	10	10	16	16	16	16	-	GUIDE WHEEL SHAFT
26.	1086518	2	2	2	2	2	2	HEX HD. BOLT, 5/8"-11 x 2 1/4" GD8	67.	1085990	8	8	8	8	8	8	-	HEX HD. BOLT, 5/8"-11 x 1 1/4" GD2
27.	G-118777	16	16	8	8	8	8	WASHER, 1/2"	68.	1085980	8	8	8	8	8	8	-	ANCHOR BOLT ASS'Y
28.	G-274821	2	2	12	12	12	12	LOCKNUT, 5/8"-11	69.	1085989	4	4	4	4	4	4	-	SQUEEZE PLATE
29.	1086517	-	-	2	2	2	2	LIFT LOCK ASS'Y (INCLUDES, 30-34)	70.	1085991	8	8	8	8	8	8	-	LOCK PLATE
	1086660	1	1	-	-	-	-	LIFT LOCK ASS'Y (INCLUDES, 30-34)	71.	1085992	8	8	8	8	8	8	-	LOCK PLATE
30.	1086515	-	-	2	2	2	2	LIFT LOCK PAWL W.A.	72.	S-14760	4	4	4	4	4	4	-	COMPRESSION SPRING
	1086661	2	2	-	-	-	-	LIFT LOCK PAWL W.A.	73.	S-25511	-	-	-	-	4	4	-	MACHINE SCREW, #10-24 x 1 1/4"
31.	1086663	2	2	2	2	2	2	RELEASE PIVOT	74.	1085240	1	1	2	2	2	2	-	LOCKNUT, #10-24
32.	1087424	-	-	2	2	2	2	SPACER	75.	1087331	8	8	8	8	8	8	-	ROLL PIN, 1/8" x 1/4"
	1087425	2	2	-	-	-	-	SPACER	76.	1087330	16	16	16	16	16	16	-	ROLL PIN, 3/8" x 2 1/2"
33.	1087427	2	2	2	2	2	2	THRUST BEARING	77.	1085240	1	1	2	2	2	2	-	TOP ROLLER GUARD
34.	1087422	-	-	2	2	2	2	SHOULDER BOLT	78.	1085241	1	1	2	2	2	2	-	ADJUSTING SCREW, 7/8"-9
	1087423	2	2	-	-	-	-	SHOULDER BOLT	79.	S-15074	5	5	4	4	4	4	-	NYLON LOCKNUT, 7/8"-9
35.	1086050	2	2	2	2	2	2	COMPRESSION SPRING	80.	1086131	7	7	4	4	4	4	-	ROLL PIN, 1/4" x 1 5/8"
36.	1086049	2	2	2	2	2	2	RELEASE HANDLE	81.	1086688	1	1	-	-	-	-	-	LOCKNUT, JAM 1/2"-13
37.	S-3627	2	2	2	2	2	2	COTTER PIN, 1/16" x 3/4"	82.	1086693	1	1	-	-	-	-	-	PIN
38.	1086148	-	-	2	2	2	2	EQUALIZING CHAIN, ROLLERLESS 35"	84.	S-3629	1	1	-	-	-	-	-	BRACKET ARM
39.	1086112	3	3	6	6	6	6	MASTER LINK W/PLATE AND COTTER PINS FOR EQUALIZING CHAIN	85.	1086700	1	1	-	-	-	-	-	HEX BOLT, 5/16"-18 x 1 1/4" GD2
40.	1086108	-	-	2	2	2	2	LIFT CHAIN, LEAF 56 1/4"	87.	1086998	1	1	-	-	-	-	-	HEX BOLT, 1/2"-13 x 2" GD5
	1086661	1	1	-	-	-	-	LIFT CHAIN, LEAF 44 1/4"	88.	1086702	1	1	-	-	-	-	-	SPRING SPACER
41.	1086104	2	2	4	4	4	4	MASTER LINK W/PLATES AND COTTER PINS FOR LEAF CHAIN	89.	1086690	1	1	-	-	-	-	-	SPRING COMP.
									90.	1086689	1	1	-	-	-	-	-	BUSHING
									91.	1086699	1	1	-	-	-	-	-	PAWL BUSHING
									92.	1083893	1	1	-	-	-	-	-	PAWL
									93.	S-19957	1	1	-	-	-	-	-	SPRING EXT.
									95.	1086648	1	1	-	-	-	-	-	WASHER, 5/16"
																		CARRIAGE STOP (POWER SIDE)

PANZITTA SALES & SERVICE
72 George Avenue
Wilkes-Barre, PA 18705
5