

PANZITTA SALES & SERVICE
72 George Avenue
Wilkes-Barre, PA 18705
570-822-6720 800-822-6720
www.panzittasales.com



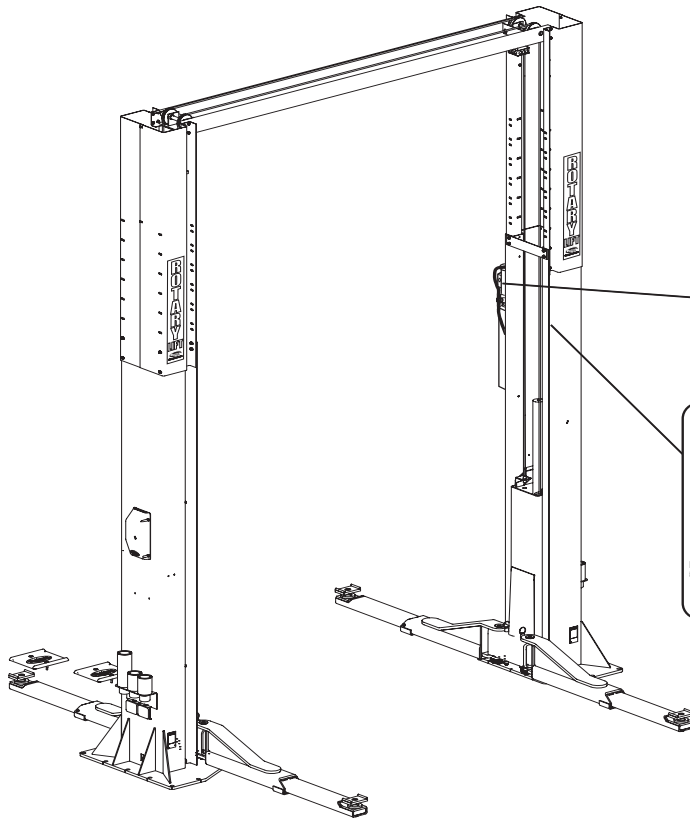
World Leader in Lift Productivity

SPO15, SPO18

(200 Series Lifts)

SPO15 Capacity 15,000 lbs.

SPO18 Capacity 18,000 lbs.



Rotary	PT# _____	N° _____
	PH _____	MAX AMB _____
	DUTY _____	INS _____
	THERMAL PROTECTION _____	
	VOLTS _____	HP _____
	AMPS _____	Kw _____
	HZ _____	RPM _____
		IP _____
CE	<small>WARNING: MOTOR MUST BE GROUNDED IN ACCORDANCE WITH LOCAL AND NATIONAL ELECTRICAL CODES TO PREVENT SERIOUS ELECTRICAL SHOCKS</small>	

Rotary	IMPORTANT
800-445-5438	DO NOT REMOVE THIS TAG
MODEL:	WARRANTY IDENTIFICATION
CAP. LBS:	
SERIAL NUMBER	
<small>MANUFACTURED UNDER ONE OF THESE PATENTS 5009287</small>	
Rotary Lift	A DOVER INDUSTRIES COMPANY Madison, IN
	MADE IN THE USA

**P
A
R
T
S

B
R
E
A
K
D
O
W
N**

IMPORTANT: When ordering parts or requesting service always give exact model and power unit serial number. Model number is shown on nameplate attached to air lock release valve. Power unit serial number is located on side of power unit.

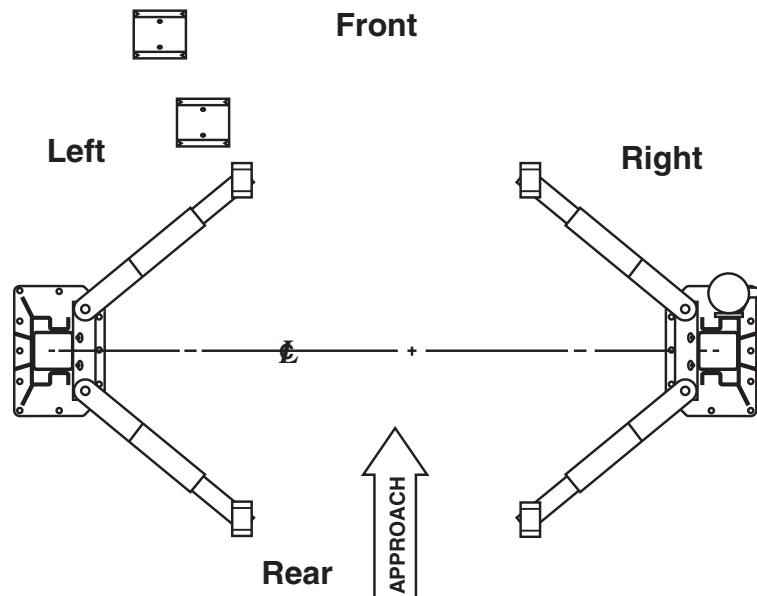
<p>OWNERS RECORD Complete information at right and keep in a safe place.</p>	Date Installed _____
	Installed in Bay # _____
	Power Unit Serial # _____
	Power Unit Model # _____
	Lift Serial # _____
	Lift Model # _____

PB 2-2-19-1
 Rev. B 04/22/2004

SPO15/SPO15LC & SPO18/SPO18LC PARTS LIST

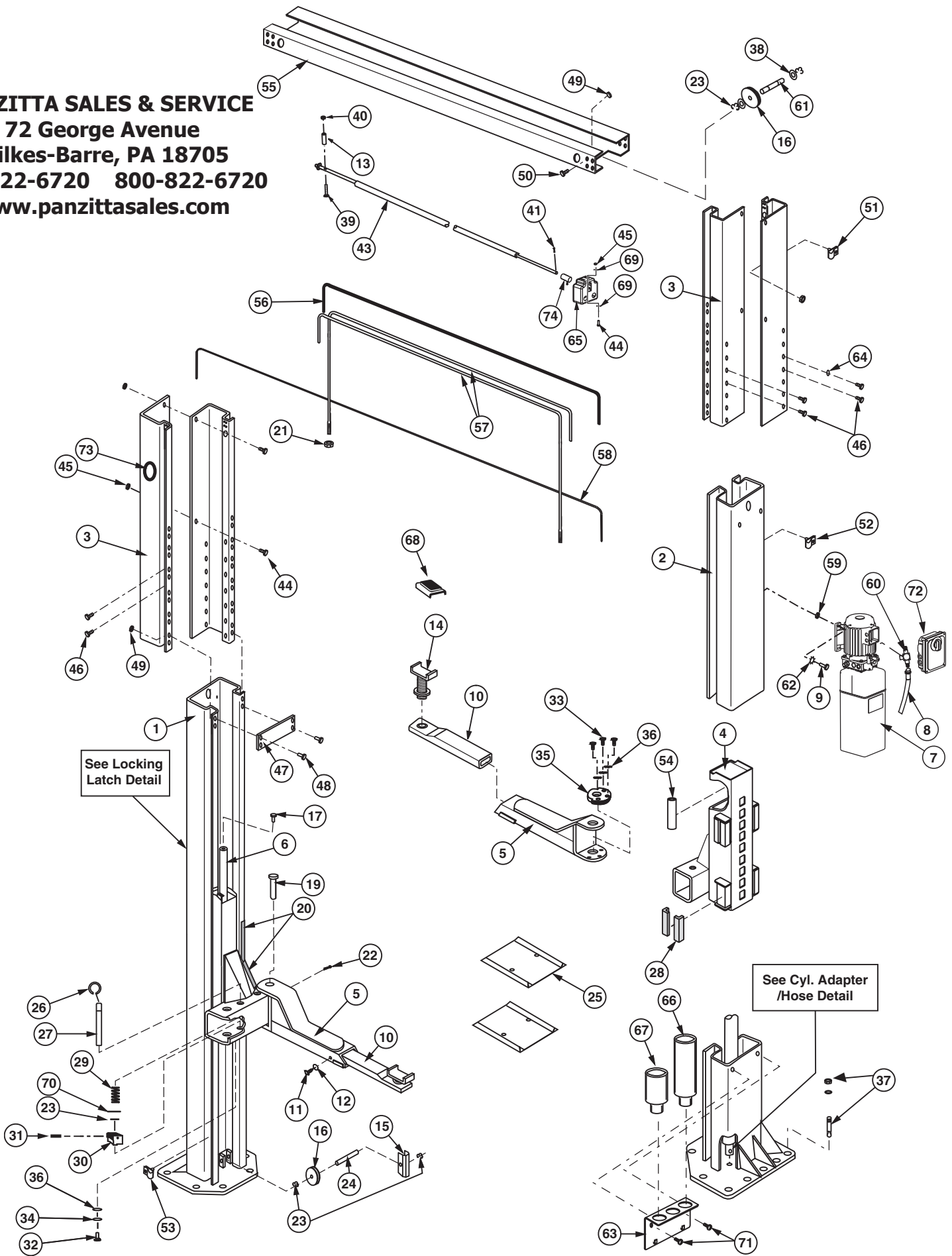
1	L.H. Column Weldment	N738
2	R.H. Column Weldment	N739
3	Column Extension	
	Left Side	N430
	Right Side	N431
4	Carriage Yoke Weldment	
	SPO15	FJ7821
	SPO18	N817
5	Outer Arm	
	Right Front/Left Rear	FJ7820-1
	Left Front/Right Rear	FJ7819-1
6	Hydraulic Cylinder	FJ7604
7	Power Unit	
	SPO15 Single Phase 60Hz	P1006
	SPO15 Three Phase	P1049
	SPO15 Three Phase (575V)	P1161
	SPO18 Single Phase	P1093
	SPO18 Three Phase	P1094
	SPO18 Three Phase (575V)	P1162
8	Power Unit Hose	FJ7828
9	5/16"-18NC x 1-1/2" HHCS	40271
10	Inner Arm	
	SPO15	FJ7819-2
	SPO18	N258-1
11	3/8"-16NC x 5/8" Lg. HHCS Grade 8	40155
12	3/8" Internal Tooth Washer	40843
13	3/4" Switch Bar Mounting Spacer	FJ7871
14	Adjustable Adapter	FJ7822-1
15	Lower Sheave Guard	FJ7813-8
16	Sheave	FJ7823-3
17	Bleeder Screw (Specify Manufacturer)	N/A
18	5/16"-18NC x 3/8" Ig. PHMS	40227
19	Arm Pin	FJ7832
20	Approach Bumper (Door 18" Ig. 4 req'd)	FJ7391-3
21	3/4-10NC Nylon Insert Lock Nut	40703
22	3/16 x 2-1/2" Ig. Cotter Pin	N/A
23	Truarc #5304-100 Klipping for 1" shaft	41412
24	Lower Sheave Shaft	FJ7813-3
25	Wheel Spotting Dish	FF729-1
26	Actuator Pin Handle	FJ7985-1
27	Actuator Pin	N167-2
28	Slider	FJ7813-1
29	Actuator Pin Spring	FJ7813-10
30	120T Gear Block	FJ7749
31	Spring Pin 1/4 x 1-1/2" Ig. stainless	14427
32	3/8-16NC x 3/4" Ig. HHCS Plated	40130
33	3/8"-16NC x 1-1/2" HHCS Grade 5	40201
34	5/16 USS Flat Washer -Black Oxide	40855
35	Restraint Gear	FJ7831
36	3/8" Helical Spring Lockwasher	40818
37	3/4" Concrete Anchor	FJ7380
38	UHMWPE Washer	FJ7823-4
39	1Ø 1/4"-20NC x 2" HHCS	40109
	3Ø 1/4"-20NC x 2-3/4" HHCS	40114
40	1/4-20NC Insert Locknut	41423
41	1/8 x 1" Ig. Cotter Pin	41200
42	Limit Switch Assembly	
	1Ø	N413
	3Ø	N432
43	Switch Bar Assembly	N435
44	1/4-20NC x 3/4" Ig. HHCS Grade 5	40099
45	1/4-20NC Zinc Hex Nut	40627
46	3/8-16NC x 3/8" Ig. Flanged HHCS	40122
47	Tie Bar	FJ7824
48	3/8-16NC x 1" Ig. Flanged HHCS	40144
49	3/8-16NC Flanged Lock Nut	40664
50	3/8-16NC x 3/4" Ig. Flanged HHCS	40124
51	Pipe Clip (5/8" Clamping Diameter)	FJ7499
	5/16-18NC x 1/2" Ig. PHMS	40228
	5/16-18NC Hex Nut	40670

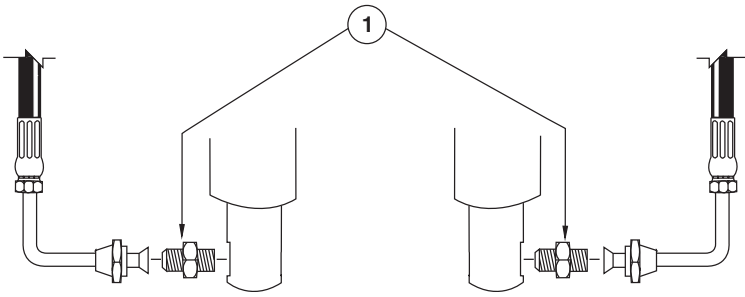
52	Pipe Clip (5/8" Clamping Diameter)	FJ7499
	5/16-18NC x 3/8" Ig. PHMS	40227
53	Pipe Clip (1/2" Clamping Diameter)	FJ7669
	5/16-18NC x 3/8" Ig. PHMS	40227
54	Equalizer Cable Spacer	FJ7833
55	Overhead Weldment	N429-1
56	Overhead Hose	FJ7829
57	Equalizer Cable Assembly	
	SPO15/SPO18	FJ7827-1
	SPO15LC/SPO18LC	FJ7826-1
58	Locking Latch Air Line 1/4" O.D.	FA2230-2
59	5/16"-18NC Hex Nut	40670
60	Branch Tee	FJ7668
61	Upper Sheave Shaft	FJ7813-7
62	5/16" External Tooth Lockwasher	40854
63	Adapter Rack (1 Qty. Each Column)	FJ7822-3
64	3/8" External Tooth Lockwasher	40845
65	Limit Switch	
	1Ø	N413-1
	3Ø	N432-1
66	10" Height Adapters (2 Qty. Per Lift)	FJ7822-5
67	5" Height Adapters (4 Qty. Per Lift)	FJ7822-4
68	Rubber Pad Adapters (4 Qty. Per Lift)	FJ7822-2
69	1/4" External Tooth Lockwasher	40779
70	Wide Rim Machinery Bushing	FF40-4
71	5/16"-18NC x 3/8" Ig. PHMS	40227
72	Capacitor Box	FA7147-1
	Capacitor Box Cover Plate	FA7203-1
	Drum Switch	FA7205
	Drum Switch Handle	FA7205-1
	M5 x 10 PHMS, Plated	40275
73	Grommet	FA7180-32
74	Actuator Assembly	N433



PANZITTA SALES & SERVICE
72 George Avenue
Wilkes-Barre, PA 18705
570-822-6720 800-822-6720
www.panzittasales.com

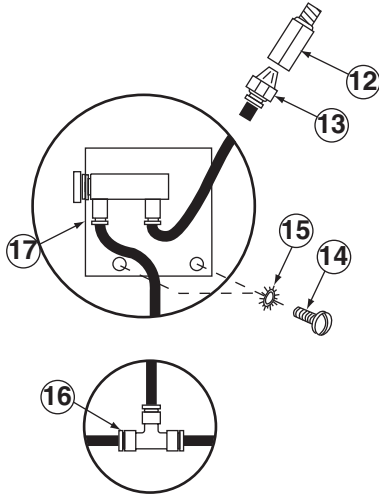
PANZITTA SALES & SERVICE
72 George Avenue
Wilkes-Barre, PA 18705
570-822-6720 800-822-6720
www.panzittasales.com



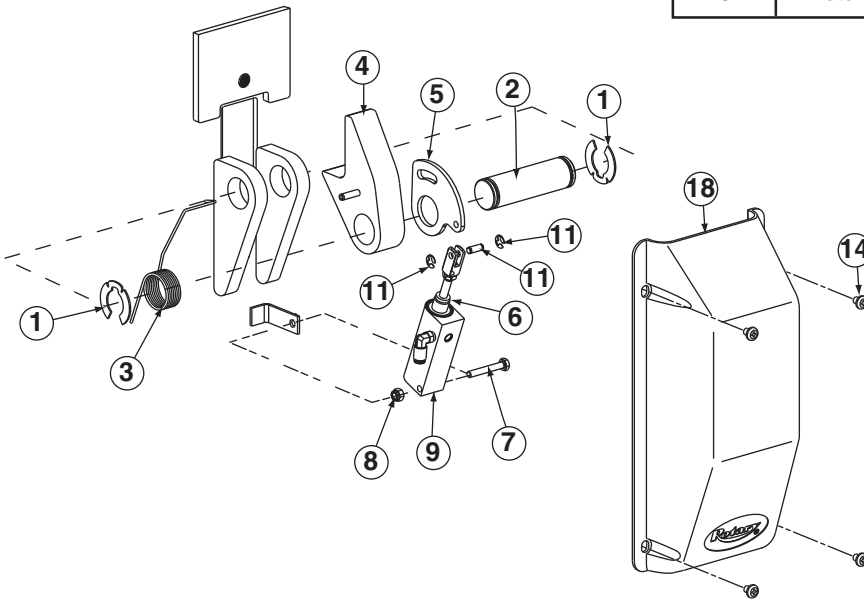


CYLINDER ADAPTER / HOSE DETAIL

CYLINDER ADAPTER/HOSE DETAIL PARTS LIST		
ITEM NO.	DESCRIPTION	PART NO.
1	Straight Adapter	FJ7352-3



LOCKING LATCH DETAIL PARTS LIST		
ITEM NO.	DESCRIPTION	PART NO.
1	Truarc Klipring#5304-125 for 1 1/4" shaft	41417
2	Latch Shaft	FJ7813-7
3	Latch Spring	FJ7813-5
4	Locking Latch Dog Assy.	FJ7813-14
5	Latch Control Plate	FJ7813-6
6	Dampening Spacer	FJ7813-13
7	1/4"-20NC x 1-1/4" HHCS	40101
8	1/4"-20 Nylon Insert Nut	40642
9	Air Cylinder	N614-1
10	Swivel elbow 1/4"O.D. tube to 1/8" NPT	FA3134-6
11	Bimba Piston Rod Clevis #D-166-1 (set)	11263
12	Filter	FA3134-12
13	1/4" Male Connector	FC5191-6
14	5/16"-18NC x 3/8" PHMS	40227
15	5/16" External Lockwasher	40854
16	Union Tee	FC5225-46
17	Switch Bracket & Switch (Set)	N612
18	Latch Cover	FJ7451



PANZITTA SALES & SERVICE
72 George Avenue
Wilkes-Barre, PA 18705
570-822-6720 800-822-6720
www.panzittasales.com

