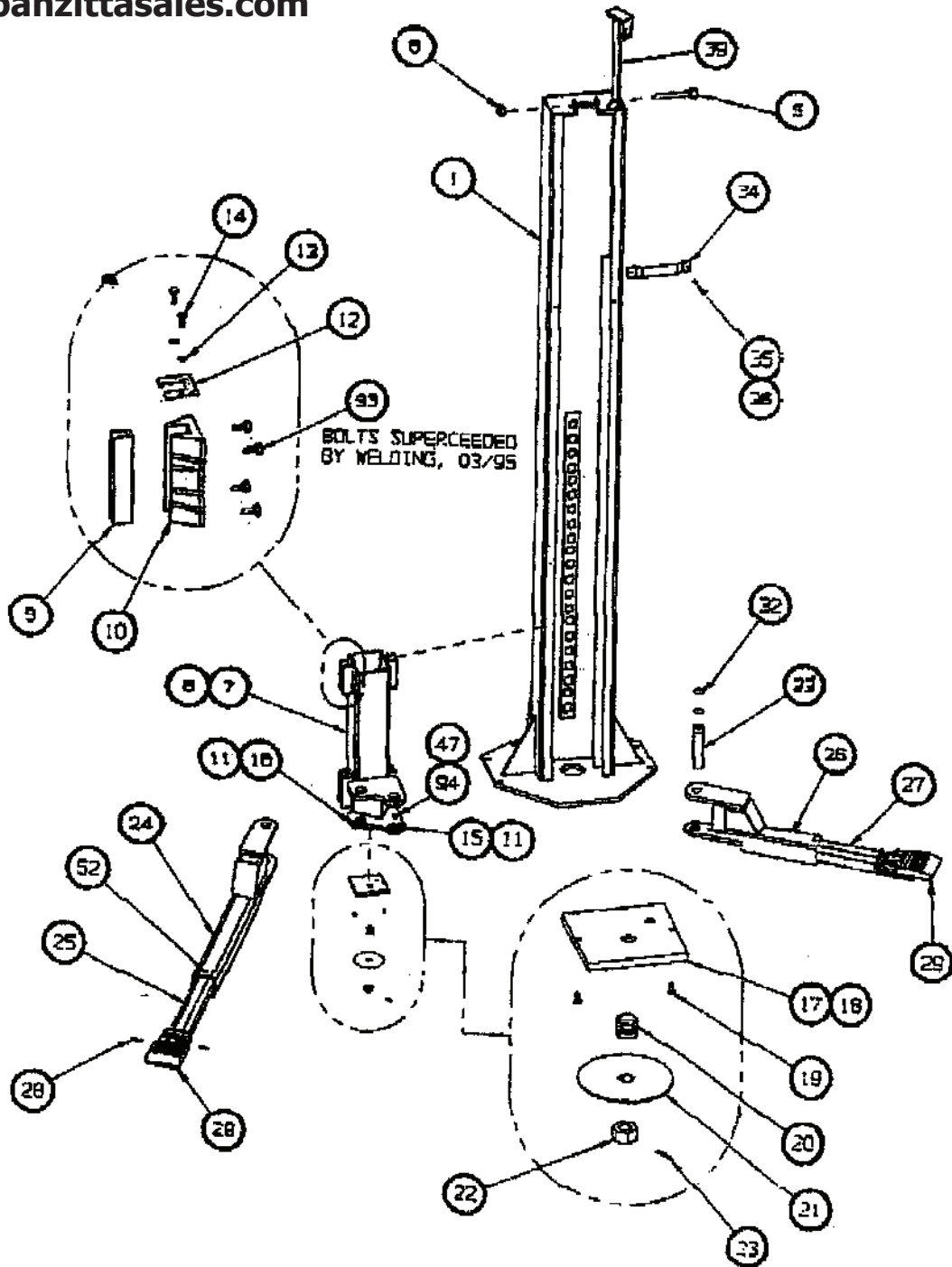
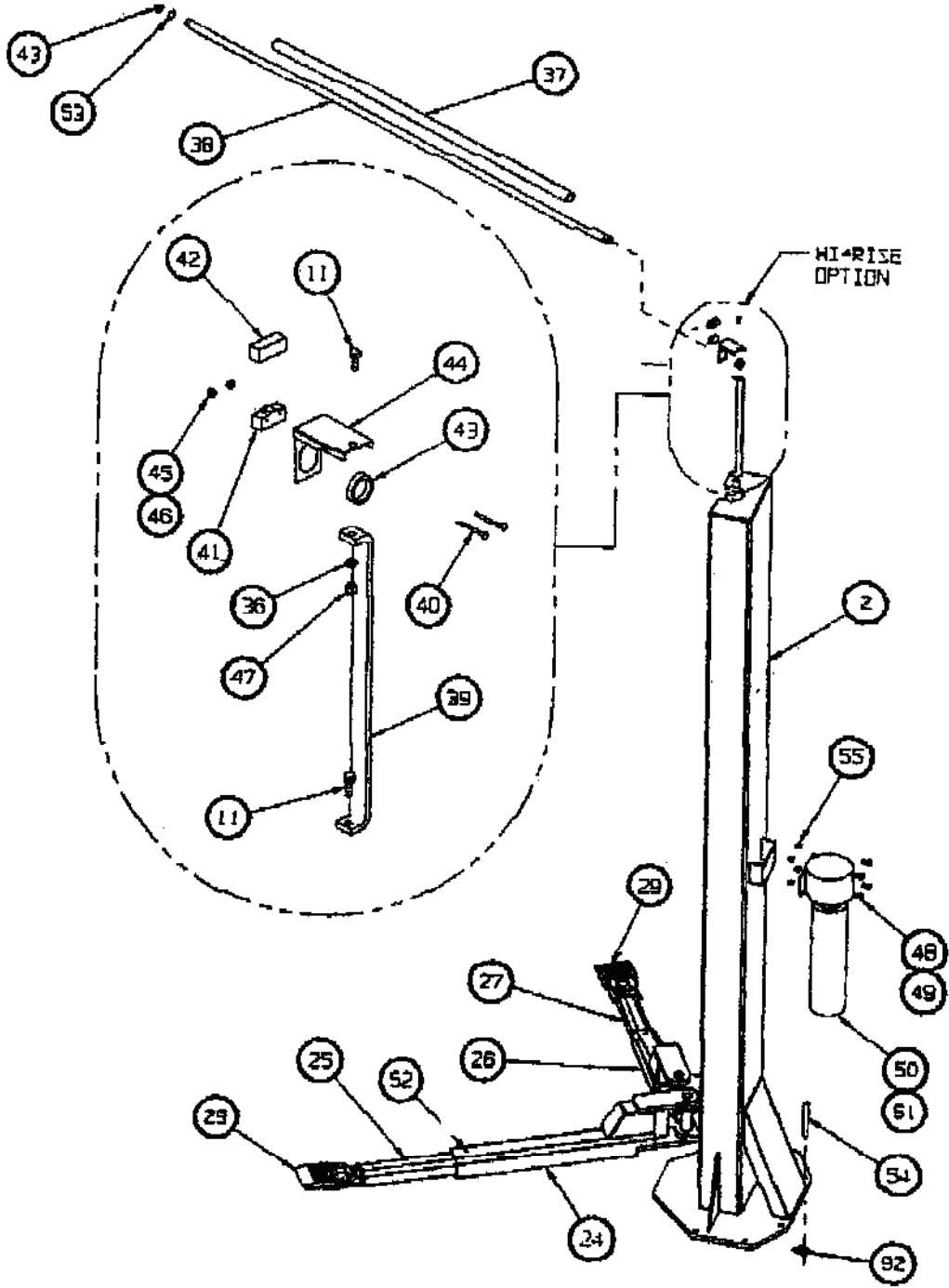


**PANZITTA SALES & SERVICE**  
72 George Avenue  
Wilkes-Barre, PA 18705  
570-822-6720 800-822-6720  
www.panzittasales.com



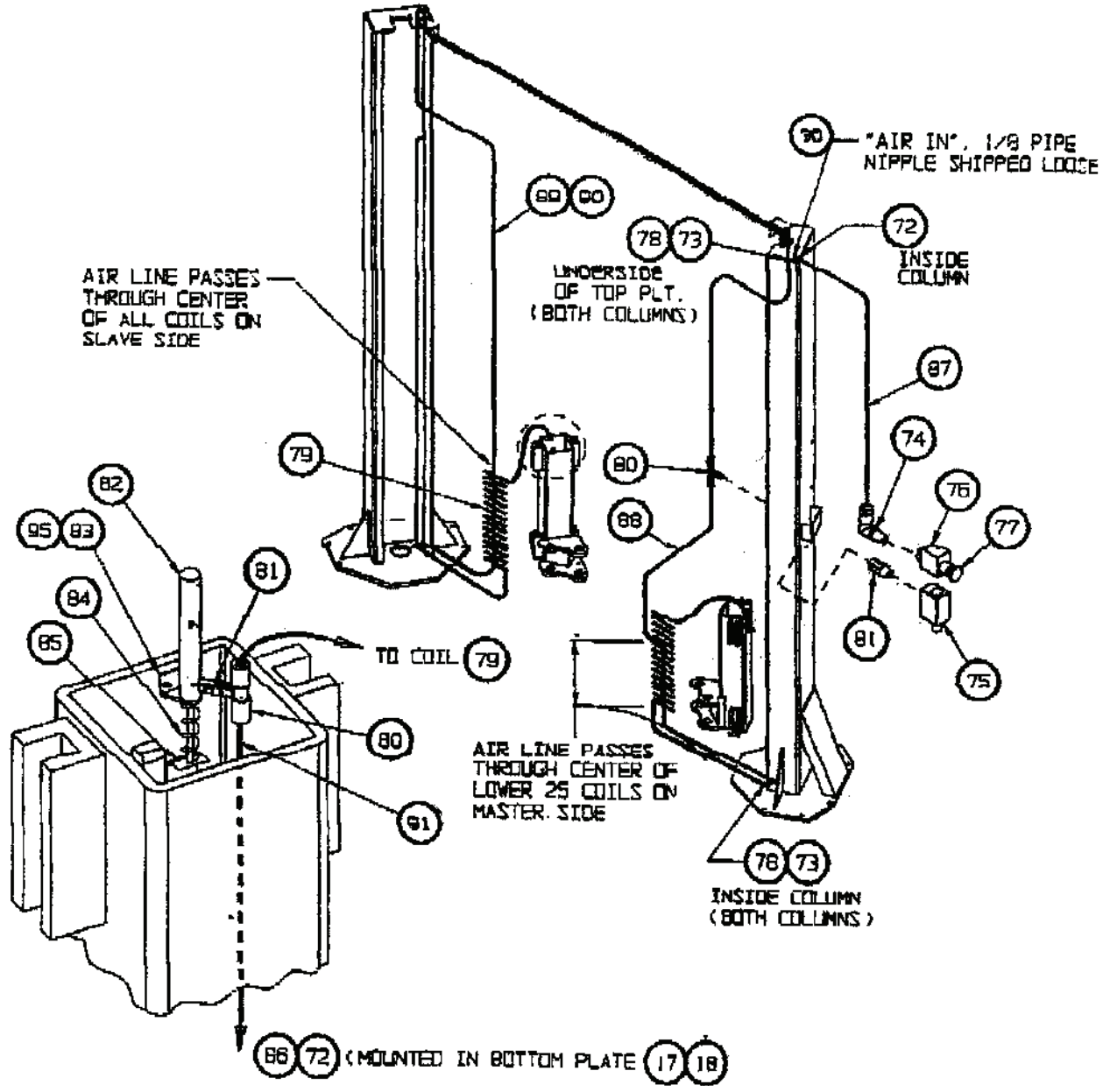
**Fig. 9**  
**SLAVE COLUMN EXPLOSION**

PANZITTA SALES & SERVICE  
72 George Avenue  
Wilkes-Barre, PA 18705  
570-822-6720 800-822-6720  
www.panzittasales.com



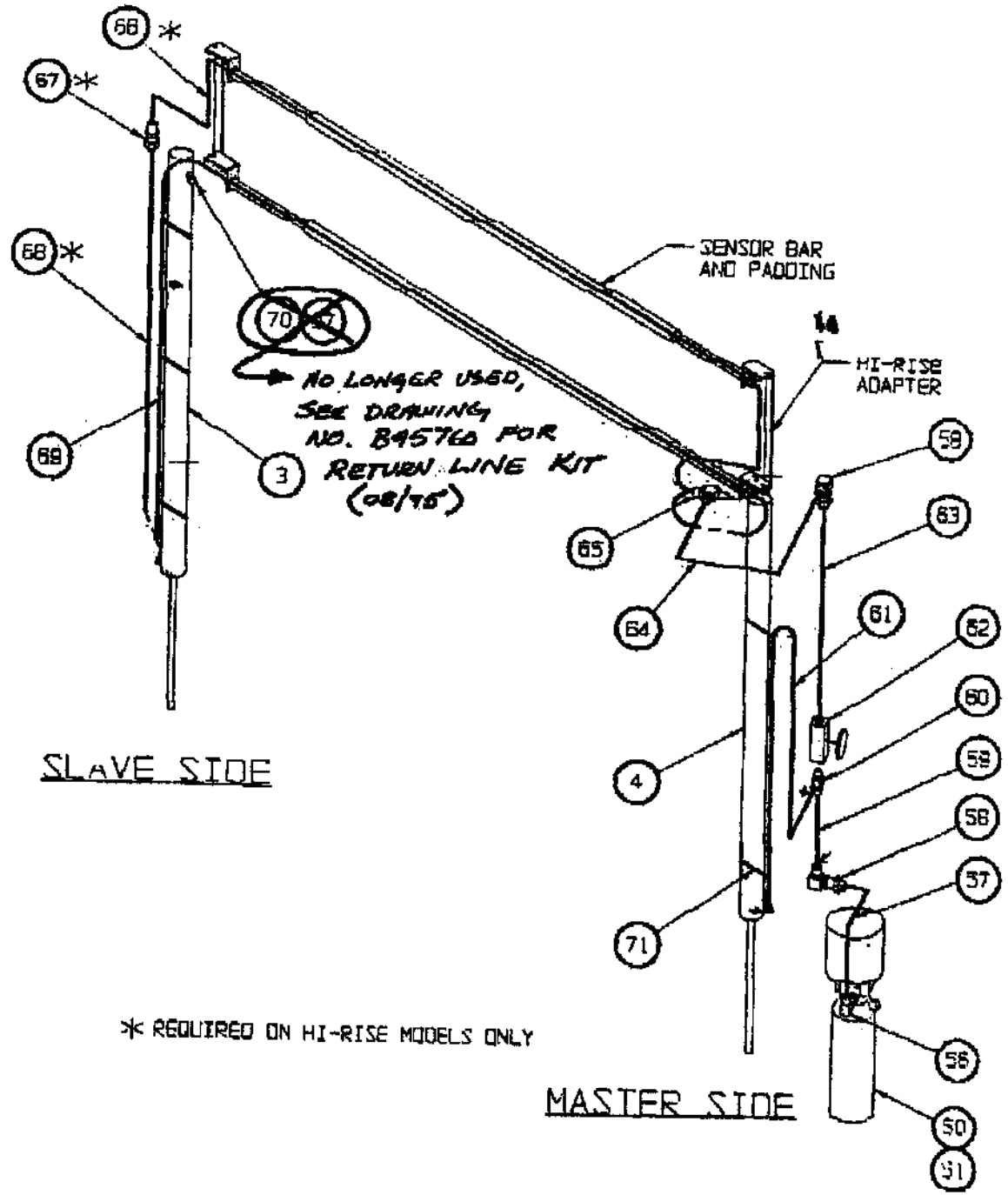
**Fig. 10**  
**MASTER COLUMN EXPLOSION**

**PANZITTA SALES & SERVICE**  
 72 George Avenue  
 Wilkes-Barre, PA 18705  
 570-822-6720 800-822-6720  
 www.panzittasales.com



**Fig. 11**  
**PNEUMATIC CIRCUIT**

**PANZITTA SALES & SERVICE**  
**72 George Avenue**  
**Wilkes-Barre, PA 18705**  
**570-822-6720 800-822-6720**  
**www.panzittasales.com**



**Fig. 12**  
**HYDRAULIC CIRCUIT**

**PANZITTA SALES & SERVICE**  
**72 George Avenue**  
**Wilkes-Barre, PA 18705**  
**570-822-6720 800-822-6720**  
**www.panzittasales.com**

ITEM	GLOBE PART NO.	NAME	COMMENT	STD. QTY.	HI-RISE QTY.
1	B45204-G03	COLUMN WELDMENT, SLAVE		1	1
2	B45204-G01	COLUMN WELDMENT, MASTER		1	1
3	B45200-G01	CYLINDER ASSEMBLY, SLAVE		1	1
4	B45199-G01	CYLINDER ASSEMBLY, MASTER		1	1
5	507302	1/2-13 UNC X 5" LG. SCREW		2	2
6	511551	1/2-13 LOCK NUT		2	2
7	C45459-G02	CARRIAGE WELDMENT, SLAVE		1	1
8	C45459-G01	CARRIAGE WELDMENT, MASTER		1	1
9	A45281-001	RAIL SHOE INSERT		8	8
10	B45276-001	RAIL SHOE		8	8
11	507055	3/8-16 UNC X 1" LG. SCREW	SELF-LOCKING	10	12
12	A45277-001	CLIP RETAINER		16	16
13	731859	NO. 8 LOCK WASHER		32	32
14	733348	NO. 8-32 X 1/2" LG. SHC SCREW		32	32
15	B45632-002	SPUR GEAR, 180° SEGMENT 1 3/4" P <sub>d</sub>		2	2
16	B45632-001	SPUR GEAR, 90° SEGMENT 1 3/4" P <sub>d</sub>		2	2
17	B45456-002	BOTTOM PLATE, SLAVE		1	1
18	B45456-001	BOTTOM PLATE, MASTER		1	1
19	913800	1/4-20 UNC X 1/2" LG. SHC SCREW	SELF-LOCKING	4	4
20	913850	WAVE SPRING		2	2
21	A45454-001	LARGE WASHER No. 4 - 002		2	2
22	A45663-001	ROD NUT		2	2
23	733302	COTTER PIN		2	2
24	B45644-G01	CLEVIS WELDMENT, REAR		2	2
25	B45652-G01	SLEEVE ASSEMBLY, REAR	INCL. nos. 28 & 29	2	2
26	B45644-G02	CLEVIS WELDMENT, FRONT		2	2
27	B45627-G02	SLEEVE ASSEMBLY, FRONT	INCL. nos. 28 & 29	2	2
28	359XH075	STOP PIN		8	8
29	B34355	SWIVEL PAD		4	4
30	A45274-003	PIN, ARM RESTRAINT		4	4
31	B45555-G01	ARM RESTRAINT WELDMENT		4	4
32	907215	RETAINING RING		8	8
33	B45655-001	CLEVIS PIN		4	4
34	B45279-001	COLUMN STRAP		2	2
35	507331	3/8-16 UNC X 3/4" LG. PAN HD SCR		4	4
36	902018	3/8 LOCK WASHER		4	6
37	916388	SENSOR BAR PADDING		1	1
38	B45504-002	SENSOR BAR		1	1
39	B45607-001	HI-RISE ADAPTER			2
40	732946	NO. 6-32 X 1 1/4" LG. SCREW		2	2
41	916387	MICROSWITCH	(2) REQ'D 3-PHASE	1	1
42	916389	SWITCH COVER	(2) REQ'D 3-PHASE	1	1
43	916385	CONDUIT BUSHING		2	2
44	B45513-001	SENSOR BAR BRACKET		2	2
45	732559	NO. 6 LOCK WASHER		2	2
46	732947	NO. 6-32 NUT		2	2
47	511275	3/8-16 HEX NUT		2	4
48	507205	1/4-20 UNC X 3/4" LG. SCREW		4	4
49	902016	1/4" LOCK WASHER		4	4
50	A44010-001	POWER UNIT, SINGLE PHASE	STANDARD	1	1
51	A44030-001	POWER UNIT, THREE PHASE	OPTIONAL	1	1

**PANZITTA SALES & SERVICE**

**72 George Avenue**

**Wilkes-Barre, PA 18705**

**570-822-6720 800-822-6720**

**www.panzittasales.com**

ITEM	GLOBE PART NO.	NAME	COMMENT	STD. QTY.	HI-RISE QTY.
51	A44030-001	POWER UNIT, THREE PHASE	OPTIONAL	1	1
52	512796	3/8-16 UNC SET SCREW	HALF DOG POINT	4	4
53	916386	CONDUIT LOCK NUT		1	1
54	507205	MASONRY ANCHOR, 3/4" X 5 1/2"		12	12
55	507827	1/4-20 HEX NUT		4	4
56	511534	ELBOW, SAE O-RING X 9/16 JIC		1	1
57	511535	3/8 HOSE WITH 9/16 JIC ENDS	30" LONG	1	1
58	511536	3/8 TUBE BULKHEAD ELBOW		2	2
59	511537	3/8 HOSE WITH 9/16 JIC ENDS	9" LONG	1	1
60	511538	TEE, RUN 9/16 JIC (2) X 1/4 NPTF		1	1
61	511554	3/8 HOSE WITH 9/16 JIC ENDS	65" LONG ✓	1	1
62	511539	LEVELING VALVE		1	1
63	511544	3/8 HOSE, 1/4 NPT X 9/16 JIC ENDS	52" LONG	1	1
64	511545	1/2 HOSE, 9/16 JIC X 3/4 JIC ENDS	18" LONG	1	1
65	511559	TEE, RUN 3/8 NPTM X (2) 3/4 JIC		1	1
66	511550	1/2 HOSE 3/4 JIC 90° X 3/4 JIC	146" LONG ✓	1	1
67	511560	1/2 TUBE BULKHEAD FITTING		1	1
68	511555	1/2 HOSE, 9/16 JIC X 3/4 JIC ENDS	67 1/2" LONG ✓	1	1
69	511547	1/2 HOSE, 9/16 JIC X 3/4 JIC ENDS	204" LONG	1	1
<del>70</del>	<del>733283</del>	<del>1/4 NPT AIR MUFFLER</del>		<del>1</del>	<del>1</del>
71	916490	STRAP, CABLE-TIE X 15 1/2" LG.		5	5
72	913802	ADAPTER, STRAIGHT	1/8 NPT TO 1/4 Q.C.	3	3
73	913820	RUBBER GROMMET	5/16 I.D.	4	4
74	913804	ADAPTER, ELBOW	1/8 NPT TO 1/4 Q.C.	1	1
75	918575	NEEDLE VALVE	CLIPPARD MNVP	1	1
76	917001	VALVE, 3-WAY	CLIPPARD MJV-3	1	1
77	913840	BUTTON, PUSH	CLIPPARD 11916-2	1	1
78	913805	ELBOW, 90°	1/4 Q.C. NYCOIL	2	2
79	917006	COILED AIR LINE, 34 COILS	1/40.D.X.062 WALL	2	2
80	913807	TEE, BRANCH	1/8 NPT TO 1/4 Q.C.	3	3
81	913806	ADAPTER, STRAIGHT	#10-32 TO 1/8 NPT	3	3
82	913830	AIR CYLINDER, 9/16 BORE	1.5" STROKE	2	2
83	913831	FOOT BRACKET, AIR CYLINDER		2	2
84	916985	COMPRESSION SPRING		2	2
85	B45490-001	LOCK RELEASE BRACKET		2	2
86	918040	VALVE, 2-WAY	CLIPPARD MJVO-2	2	2
87	A45714-001	AIR LINE, 1/4 O.D. X .062 WALL	77 1/2" LONG	1	1
88	A45714-002	AIR LINE, 1/4 O.D. X .062 WALL	62" LONG	1	1
89	A45714-003	AIR LINE, 1/4 O.D. X .062 WALL	342" LONG	1	1
90	A45714-004	AIR LINE, 1/4 O.D. X .062 WALL	364" LONG	1	1
91	A45714-005	AIR LINE, 1/4 O.D. X .062 WALL	28" LONG	2	2
92	905120	SHIM, BASE PLATE		24	24
93	913801	3/8-16 UNC X 3/4" LG. SCREW	SELF-LOCKING	32	32
94	913735	3/8-16 UNC X 3" LG. SCREW	TAP BOLT	2	2
95	507334	NO. 10-32 X 1/2" LG. SHC SCREW	SELF-LOCKING	4	4
96	918587	1/8 NPT X 1 1/2" LG. NIPPLE		1	1
<del>97</del>	<del>112X-002</del>	<del>1/4" STREET ELBOW</del>		<del>1</del>	<del>1</del>
98	913443	RUBBER BUMPER STRIP	100" LONG	1	1

911634 NY/oke  
 B45760-601 Return line kit  
 -602 for Hi Rise