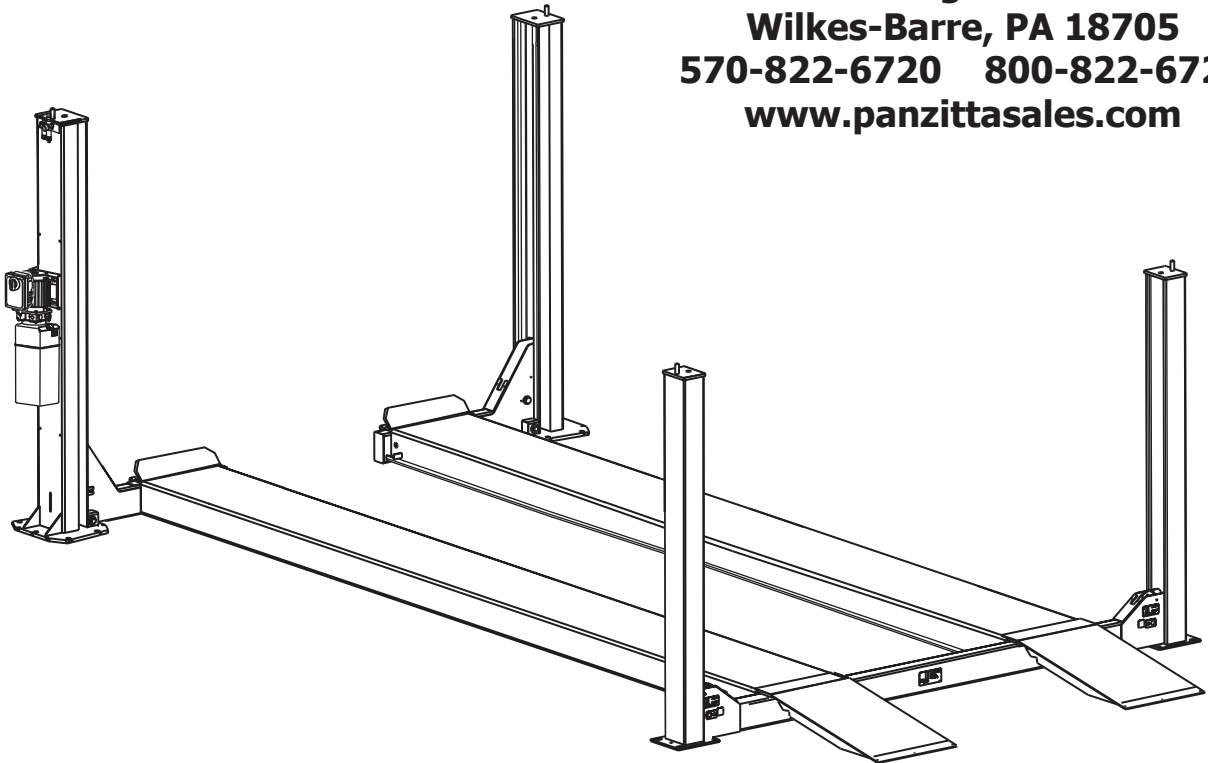


CR014

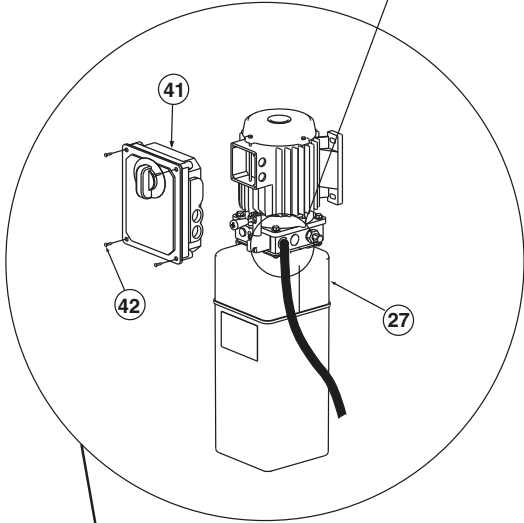
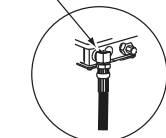
Parts Breakdown

Four Post Surface Mounted Lift
Capacity 14,000 lbs. (7,000 lbs. per axle)
Maximum Wheelbases of 212-1/2", 192-1/2"

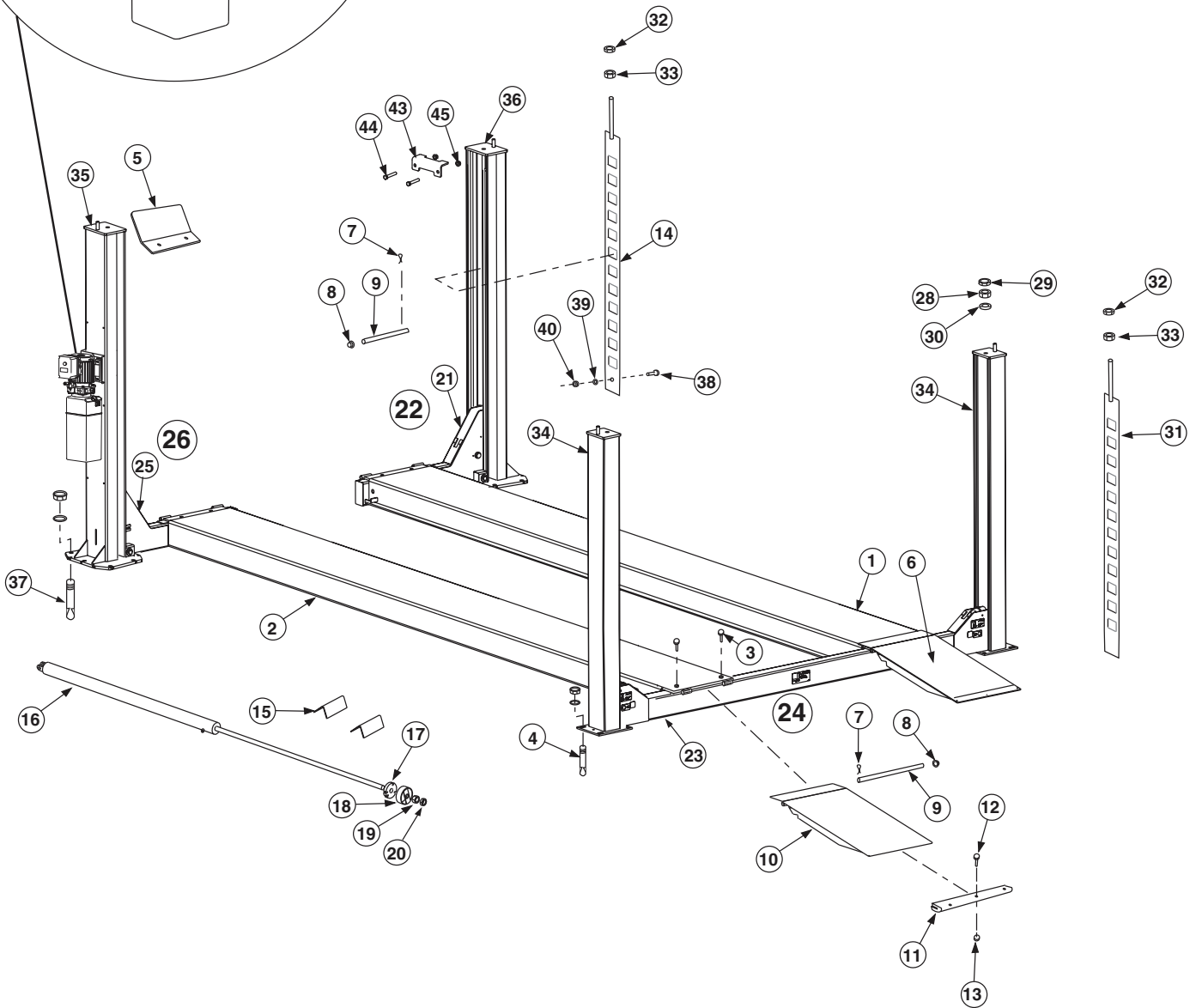
PANZITTA SALES & SERVICE
72 George Avenue
Wilkes-Barre, PA 18705
570-822-6720 800-822-6720
www.panzittasales.com



P1028-4 (Used on some models between Power Unit and Hose.)



RUNWAYS		
LIFT MODEL	Left Hand Runway Assembly <i>(Includes cylinder, cables and sheaves)</i>	Right Hand Runway Assembly/ Weldment
CR014EL	S110321	S120723
CR014L	S110320	S120721

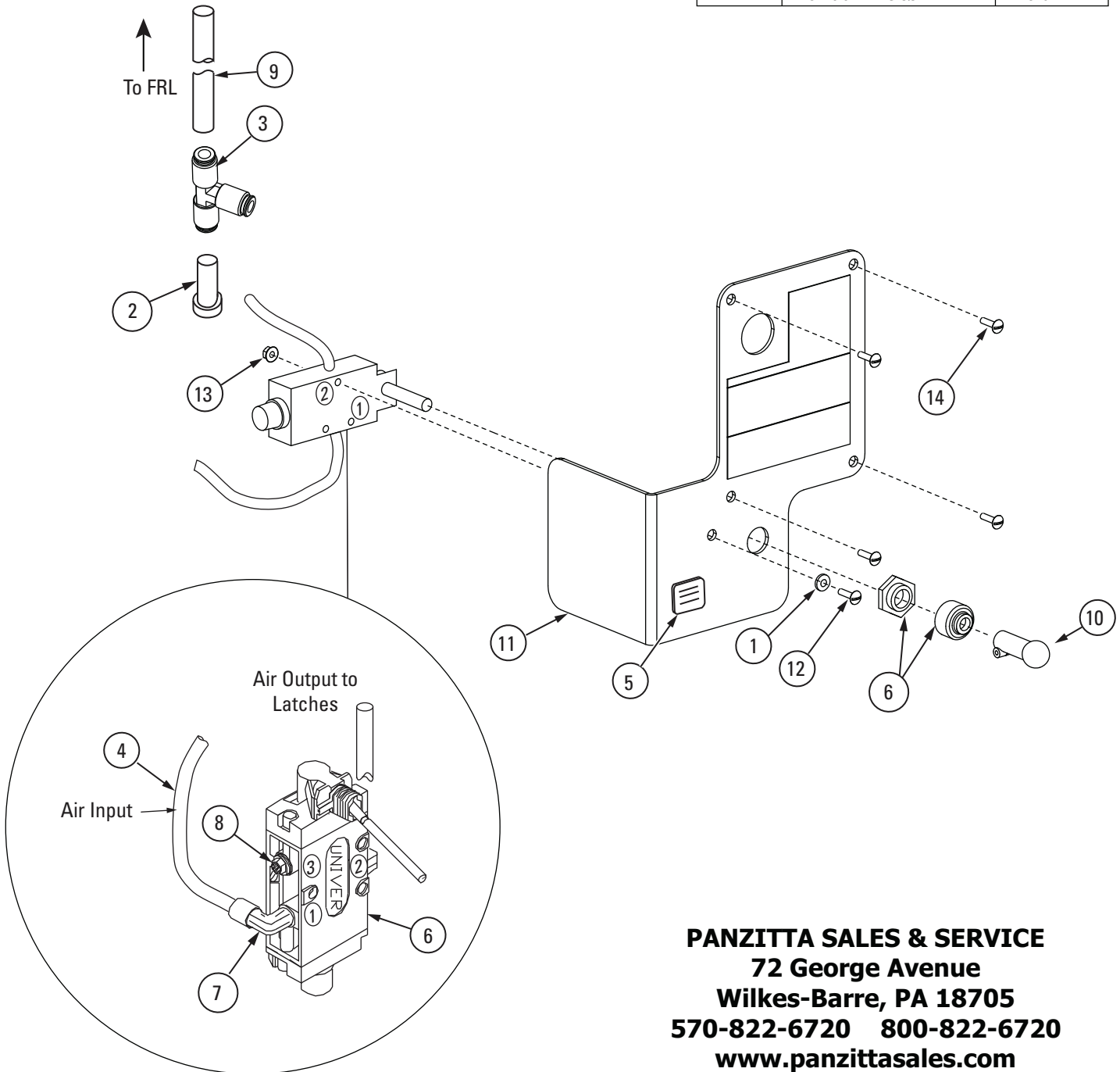


PANZITTA SALES & SERVICE
72 George Avenue
Wilkes-Barre, PA 18705
570-822-6720 800-822-6720
www.panzittasales.com

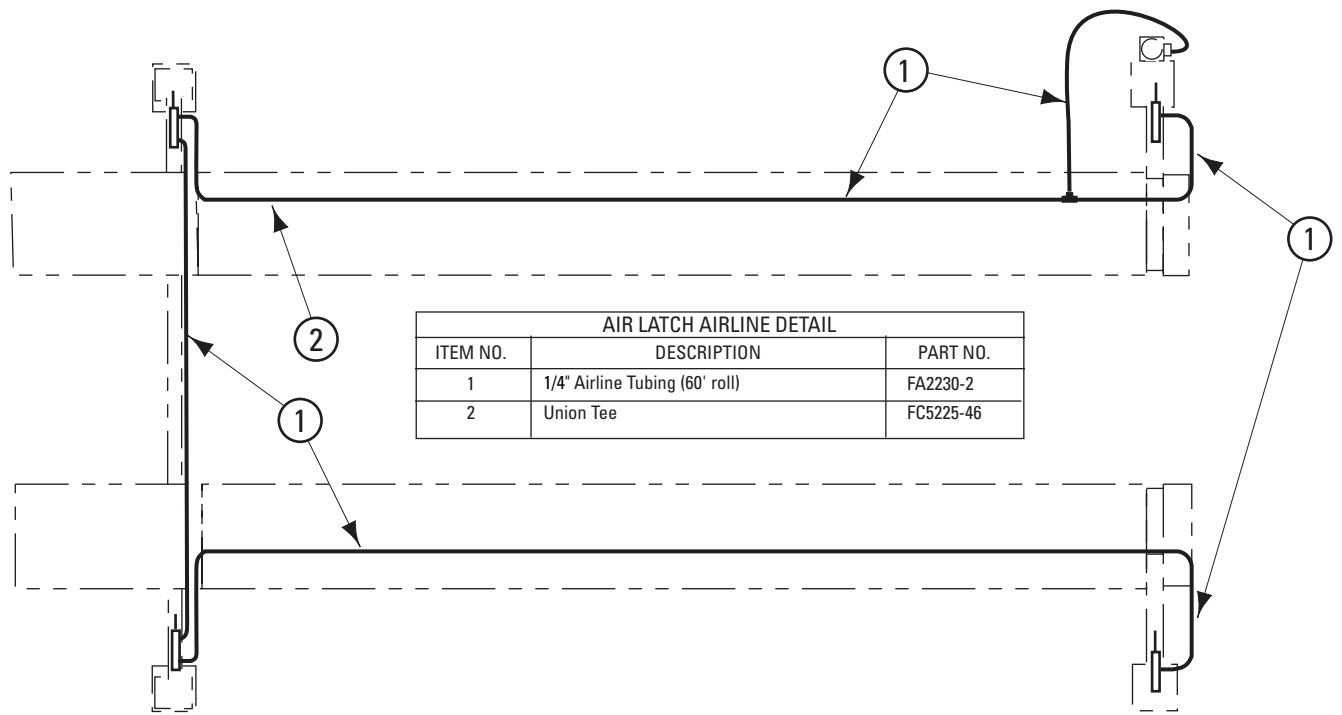
CRO14 PARTS		
ITEM NO.	DESCRIPTION	PART NO.
1	R.H. Runway Assembly	Refer to Table on Opposite Page
2	L.H. Runway Assembly (Includes cylinder, cables and sheaves)	
3	1/2" — 13NC x 1 1/4" Flg. Whiz-Lock HHCS (High Strength)	40279
4	5/8" Anchor Bolt	FC5228
5	Wheel Stop	FC342
6	Ramp Chock Assembly	S110302
7	5/32" x 1" Lg. Cotter Pin	41202
8	5/8" Push Nut Fastener — TRW #PW625019 Or Equal	FC5179-4
9	Hinge Pin	FC134-99
10	Ramp Chock Weld	S120689
11	Ramp Chock Slide	FC134-33
12	#10-24NC x 3/4" SLTRUSSHMS	40050
13	#10-24NC Flg. Whiz-Lock Nut	40633
14	Front Latch Bar	S120729
15	Triangular Wheel Chock	FC320
16	Hydraulic Cylinder	S130156
17	Cable Pull Bar	S120706
18	Cable Retainer	S120068
19	1 3/8"-6NC Hex Nut	40771
20	1 3/8"-6NC Hex Jam Nut	40773
21	Right Front Yoke Weldment	S120736
22	Right Front Yoke Ass'y (Including Latches)	S110325
23	Rear Yoke Weldment	S120732
24	Rear Yoke Ass'y (Including Latches)	S110322
25	Left Front Yoke Weldment	S120735
26	Left Front Yoke Assembly (Including Latches)	S110324
27	1Ø Power Unit	P3536
	3Ø Power Unit	P3047
28	1"-8NC Hex Nut	40763
29	1"-8NC Hex Jam Nut	40767
30	1" Flat Washer	41113
31	Rear Latch Bar	S120028
32	3/4"-10NC Hex Jam Nut	40759
33	3/4"-10NC Hex Nut	40760
34	Rear Column	S120687
35	Power Unit Column	S110328
36	Front Column	S110350
37	3/4" x 5-1/2" Anchor Bolt	FJ7380
38	1/4"-20NCx1 3/4" HHCS	40101
39	1/4" USS Flat Washer Plated	40782
40	Nut	40642
41	Control Box	FA7366
	Capacitor Box	FA7147-1
	Capacitor Box Cover	FA7366-2
	Drum Switch	FA7364
	Drum Switch Lever	FA7364-1
42	M5 x 45 PHMS, Plated	41672
43	O.F. Column Tie Bar	S120804
44	1/2"-13NCx3" HHCS Grade 8	40247
45	1/2"-13NC Whiz-Lock Nut	40704

PANZITTA SALES & SERVICE
72 George Avenue
Wilkes-Barre, PA 18705
570-822-6720 800-822-6720
www.panzittasales.com

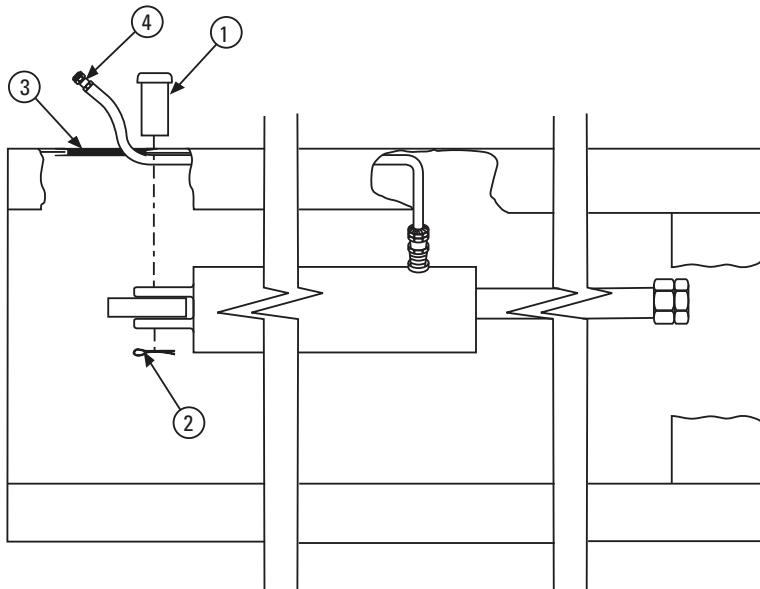
AIR LOCK RELEASE VALVE DETAIL		
ITEM NO.	DESCRIPTION	PART NO.
1	#8 SAE Flat Washer	40788
2	3/8" Plug	FA2230-16
3	Union Tee	FA2242-1
4	1/4" Tubing	FC2230-2
5	Nameplate	NP280
6	Control Ass'y.	T140073
7	Swivel Elbow	T140074
8	Filter / Muffler	T140075
9	3/8" tubing (40ft roll)	FA2230-15
10	Air Lock Handle	T140119
11	Control Bracket 1Ø	S110274
	Control Bracket 3Ø	S110286
12	#8-32NC x 1-1/2" PHMS	40007
13	#8-32NC Nylon Locknut	40649
14	M5 x 0.8 PHMS 3Ø	41549



PANZITTA SALES & SERVICE
72 George Avenue
Wilkes-Barre, PA 18705
570-822-6720 800-822-6720
www.panzittasales.com



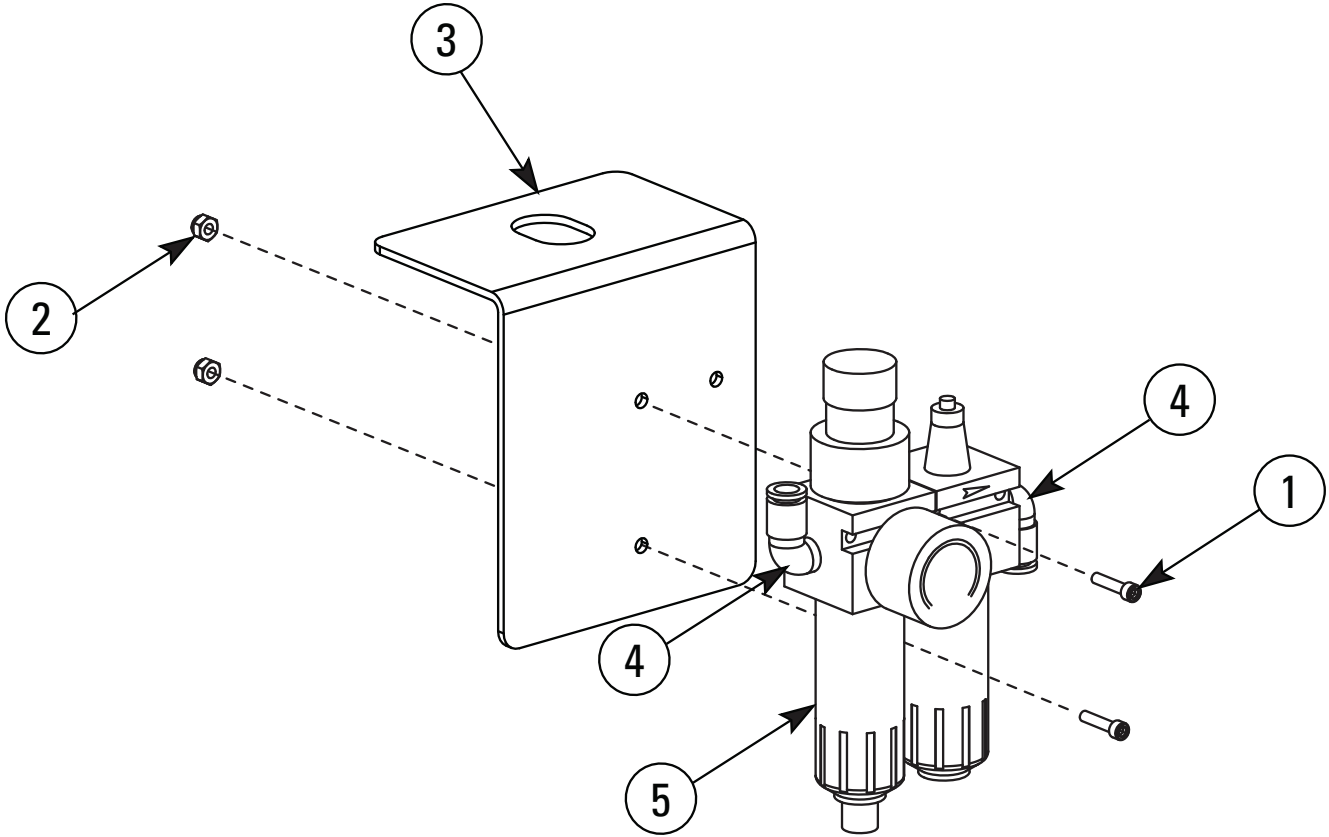
AIR LATCH AIRLINE DETAIL		
ITEM NO.	DESCRIPTION	PART NO.
1	1/4" Airline Tubing (60' roll)	FA2230-2
2	Union Tee	FC5225-46



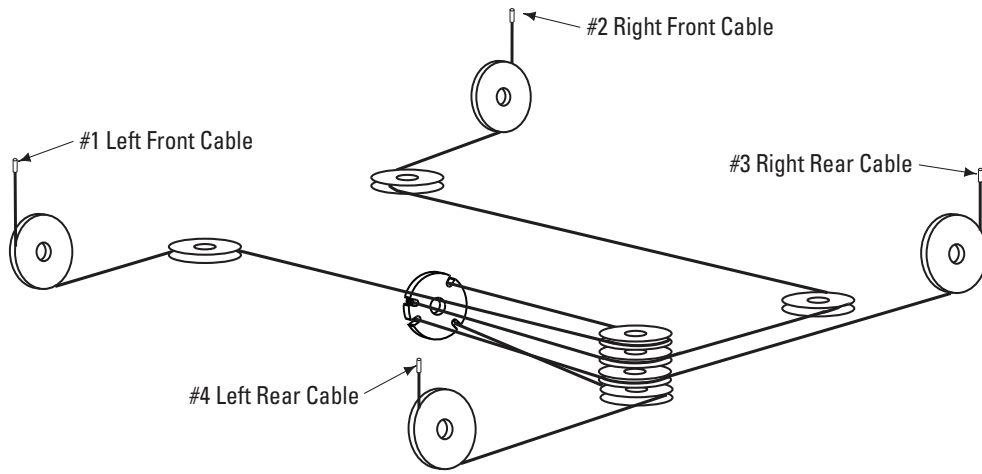
HYDRAULIC HOSE DETAIL		
ITEM NO.	DESCRIPTION	
1	Clevis Pin	S130158
2	3/16" x 1-1/4" Lg. Cotter Pin	41247
3	Grommet	2 1/2" Hole
		1 1/2" Hole
4	Hose	
	"S" Model	S130149
	"L" Model	S130154
	"EL2" Model	S130155

PANZITTA SALES & SERVICE
72 George Avenue
Wilkes-Barre, PA 18705
570-822-6720 800-822-6720
www.panzittasales.com

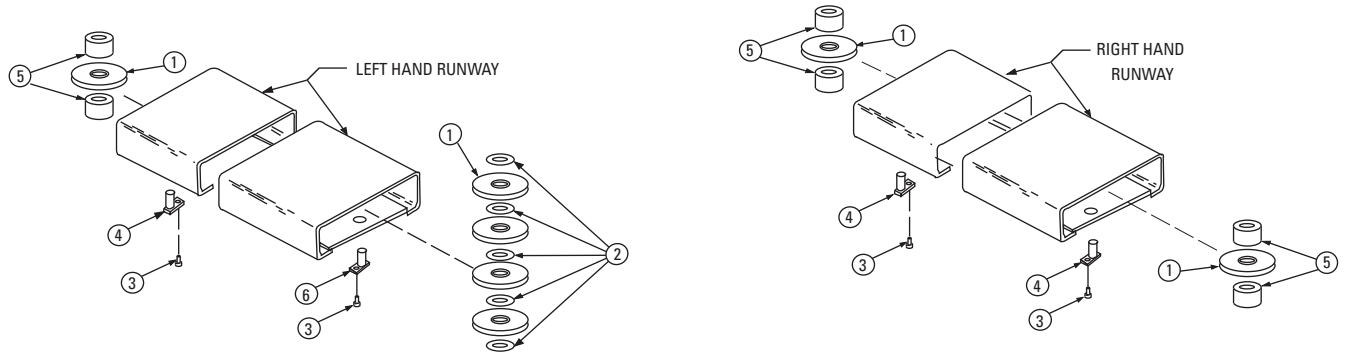
FRL DETAIL		
ITEM NO.	DESCRIPTION	PART NO.
1	#10-24 x 3/4" Hex SHCS	AP00027
2	#10-24 Nylon Lock Nut	40811
3	Adapter Bracket	S120674
4	Elbow	FC147-7
5	Filter/Regulator/Lubricator	S130080



PANZITTA SALES & SERVICE
72 George Avenue
Wilkes-Barre, PA 18705
570-822-6720 800-822-6720
www.panzittasales.com

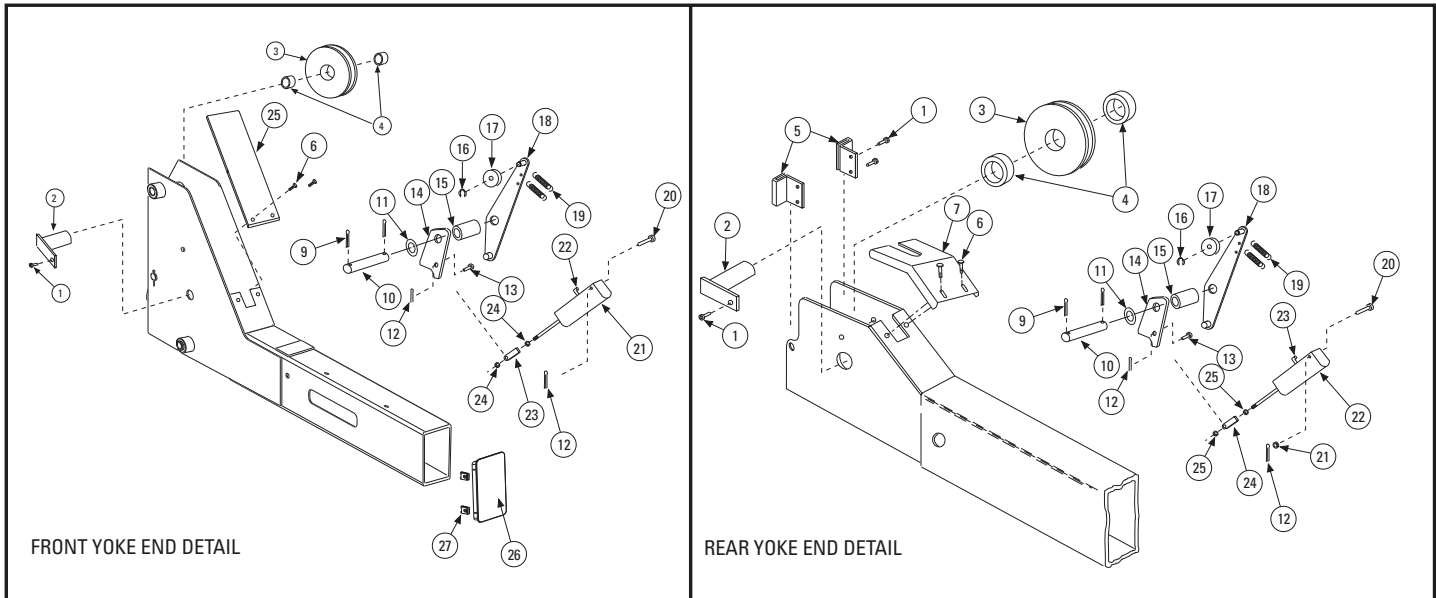


CABLES			
ITEM NO.	DESCRIPTION	PART NO.	
		CR014	
		192" WB	212" WB
1	Left Front Cable	S130171	S130167
2	Right Front Cable	S130172	S130168
3	Right Rear Cable	S130164	S130164
4	Left Rear Cable	S130163	S130163

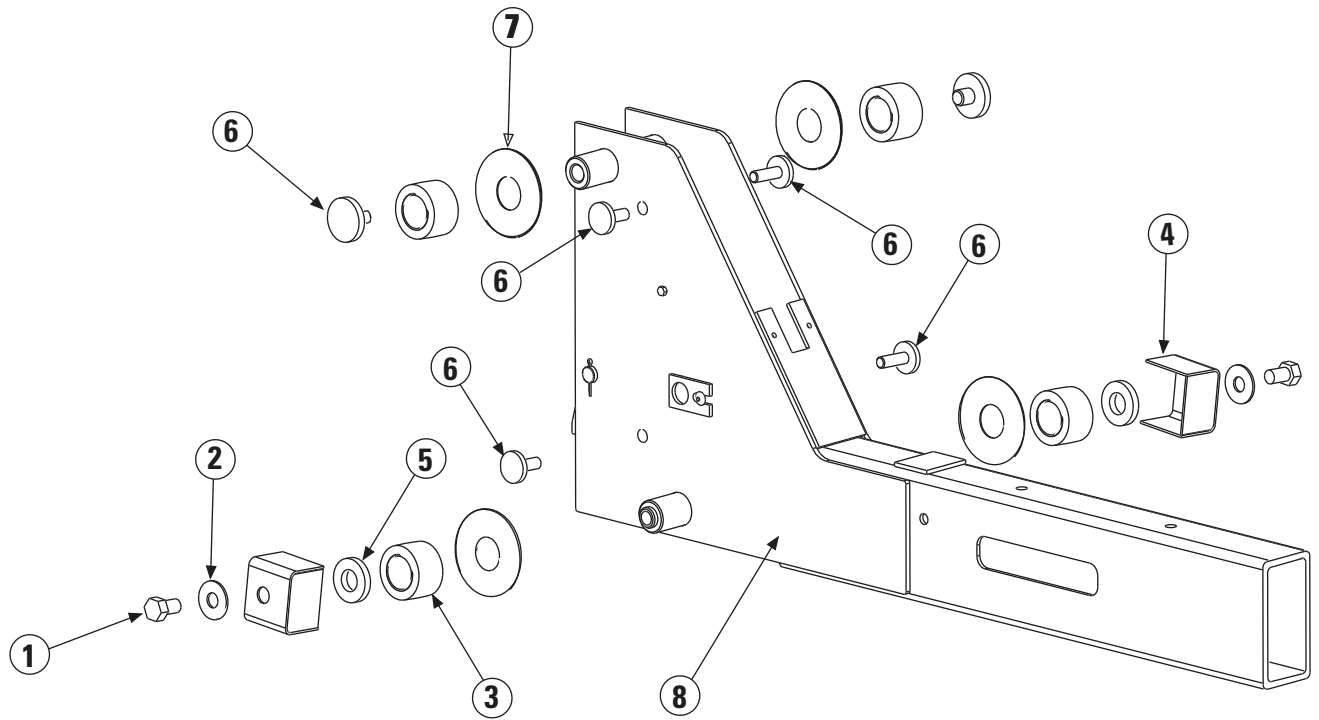


SHEAVE DETAIL		
ITEM NO.	DESCRIPTION	PART NO.
1	Sheave	FC5810-10
2	Bearing	FC5225-17
3	5/16"-18NC x 1/2" Lg. HHCS	40401
4	Sheave Pin (Standard)	FC555-1
	Sheave Pin (Chrome)	FC5728-7
5	Sheave Spacer	S130192
6	Sheave Pin (STD)	S120675
	Sheave Pin (Chrome)	S120676

PANZITTA SALES & SERVICE
72 George Avenue
Wilkes-Barre, PA 18705
570-822-6720 800-822-6720
www.panzittasales.com



FRONT YOKE END DETAIL					
ITEM	DESCRIPTION	PART NO.	ITEM	DESCRIPTION	PART NO.
1	5/16"-18NC x 3/4" Lg. HHCS	40252	15	Spacer	FC5706-9
2	Sheave Pin	standard	16	3/8" Snap Ring TRUARC #5304-37	41410
		chrome plated	17	Slack Cable Roller	FC553-21
3	Sheave	FC5810-10	18	Kicker	S120103
4	Plastic Spacer	S130203	19	Extension Spring	FC522-25
5	Slider	FC5706-16	20	Clevis Pin	S130051
6	Nylon Tree Rivet	S130120	21	Air Cylinder	1-Port \ S130061
7	Guard	FC5802-18			2-Port \ S130017
8	Number Not Used	N/A	22	Elbow	FC5224-39
9	Cotter Pin, 1/8" X 1 1/4"	41201	23	Clevis	FC5706-7
10	Latch Shaft	FC5901-7	24	1/4" -28NF Hex Nut	40622
11	Washer	FC5301-98	25	Guard	S130014
12	1/4" Hairpin Cotter Pin (.05" dia. wire)	41901	26	Tube Cap	FC248
13	Clevis Pin	FA2230-12	27	Spring Clip	FC7115
14	Latch	FC5706-10			
REAR YOKE END DETAIL					
ITEM	DESCRIPTION	PART NO.	ITEM	DESCRIPTION	PART NO.
1	5/16"-18NC x 3/4" Lg. HHCS	40252	15	Spacer	FC5706-9
2	Sheave Pin	standard	16	3/8" Snap Ring TRUARC #5304-37	41410
		chrome plated	17	Slack Cable Roller	FC553-21
3	Sheave	FC5810-10	18	Kicker	S120103
4	Plastic Spacer	S130203	19	Extension Spring	FC522-25
5	Slider	FC5706-16	20	Clevis Pin	S130051
6	Nylon Tree Rivet	S130120	21	Air Cylinder	40782
7	Guard	FC5802-18			1-Port \ S130061
8	Number Not Used	N/A	2-Port \ S130017		
9	Cotter Pin, 1/8" X 1 1/4"	41201	22	Elbow	FC5224-39
10	Latch Shaft	FC5901-7	23	Clevis	FC5706-7
11	Washer	FC5301-98	24	Clevis	FC5706-7
12	1/4" Hairpin Cotter Pin (.05" dia. wire)	41901	25	1/4" -28NF Hex Nut	40622
13	Clevis Pin	FA2230-12			
14	Latch	FC5706-10			



ROLLER ASSEMBLY AND SLIDERS			
ITEM NO.	DESCRIPTION	PART NO.	
1	5/8"-11 x 1" lg. HHCS	40340	
2	5/8" Flat Washer	40980	
3	Roller Assembly	FC5905	
4	Wheel Cover	FC5905-5	
5	Wheel Bearing	FC5905-3	
6	Slider (7/32" thick)	S130206	
7	Wheel Spacer	FC5905-9	
8	Front Yoke		
		Left	S120735
		Right	S120736

PANZITTA SALES & SERVICE
72 George Avenue
Wilkes-Barre, PA 18705
570-822-6720 800-822-6720
www.panzittasales.com