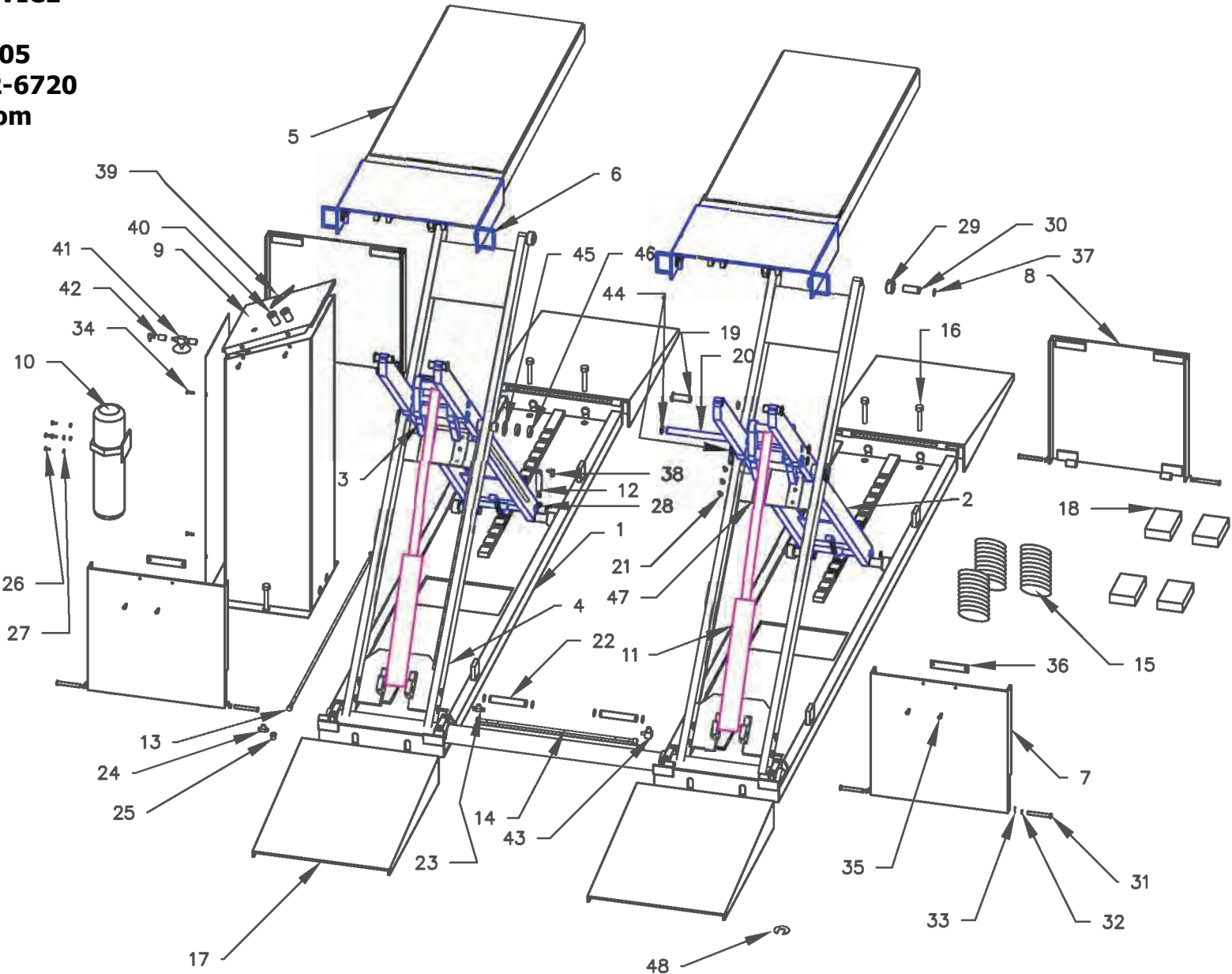


PANZITTA SALES & SERVICE
72 George Avenue
Wilkes-Barre, PA 18705
570-822-6720 800-822-6720
www.panzittasales.com

#	ITEM #	DESCRIPTION	QTY
1	-	RAMP ASSEMBLY	2
2	-	INNER ARM ASSEMBLY	2
3	-	CYLINDER GUIDE ASSY	2
4	-	OUTER ARM ASSEMBLY	2
5	-	LIFT COVER ASSEMBLY	2
6	5210908	LIFT COVER EXTENSION	2
7	-	RAMP COVER/ CYL SIDE	2
8	-	RAMP COVER/ SAFETY S	2
9	5210770	POWER UNIT STAND	1
10	5585079	POWER UNIT AB-1466	1
11	5502180	3 x 20 CYLINDER	2
12	5502196	13mm AIR CYLINDER	2
13	5570130	1/4" HYDR. HOSE 132"	1
14	5570851	1/4" HYDR. HOSE 53"	1
15	5570795	1/4" POLY FLOW	3
16	5530455	3/4x4 3/4 ANCHOR BOLT	20
17	-	DRIVE-UP RAMP	4
18	5715095	RUBBER PAD	4
19	-	INNER ARM CONN. PIN	4
20	-	INNER ARM PIN	2
21	-	M10-1.5x10 SOCKET CS	12
22	-	CYLINDER CONN. PIN	2
23	5550400	1/4 POLYTITE BRANCH T	1
24	5550148	1/4 NPT T 1/4 SAE 2PL	1
25	5550121	1/4 NPT REDUCER 3/8 F	1
26	5530260	5/16-18 x 3/4 HHB	4
27	5535122	5/16-18 NYLOCK NUT	4
28	5535140	1/2-13 JAM NYLOCK NUT	2
29	-	OUTER ARM ROLLER	4
30	-	OUTER ARM ROLLER PIN	4
31	-	HINGE PIN	8
32	-	12mm FLAT WASHER	8
33	-	2 x 24mm COTTER PIN	8
34	-	1/4-20 x1/2 HHB	8
35	-	M6-1.0x8 MACHINE SCR.	4
36	-	ALUMINUM PLATE	2
37	-	24mm SNAP RING	20
38	5550410	1/8 NPT 90*1/4 BR. FIT.	3
39	5520331	UP & DOWN LEGEND PL.	1
40	5525220	PUSH BUTTON ASSY	2
41	5590175	PUSH BUTTON AIR VALVE	1
42	5550405	1/4x1/8 BELL REDUCER	2
43	5550106	3/8 NPT 90* 1/4 SAE	1
44	-	28mm SNAP RING	8
45	-	30mm FLAT WASHER	2
46	-	M30-1.5 LOCK NUT	4
47	-	CYL. GUIDE SUPPORT	4
48	5545535	C-SHIM	25



 PROJECTION APPROVED	TOLERANCES: XX ± 0.02 XXX ± 0.005 FRACTIONS ± 1/16 SURFACE 63/ DIA. Ø ± 0.005 ANGLES ± 1/2° QTY REQ'D	BEND-PAK 1645 LEMONWOOD DRIVE SANTA PAULA, CA 93060	
		SP-7X	
		MAT'L:	
		DATE: 02/12/04	REV.
CAGE CODE ØA223	NEXT ASSY	SCALE:	

NOTES: UNLESS OTHERWISE SPECIFIED