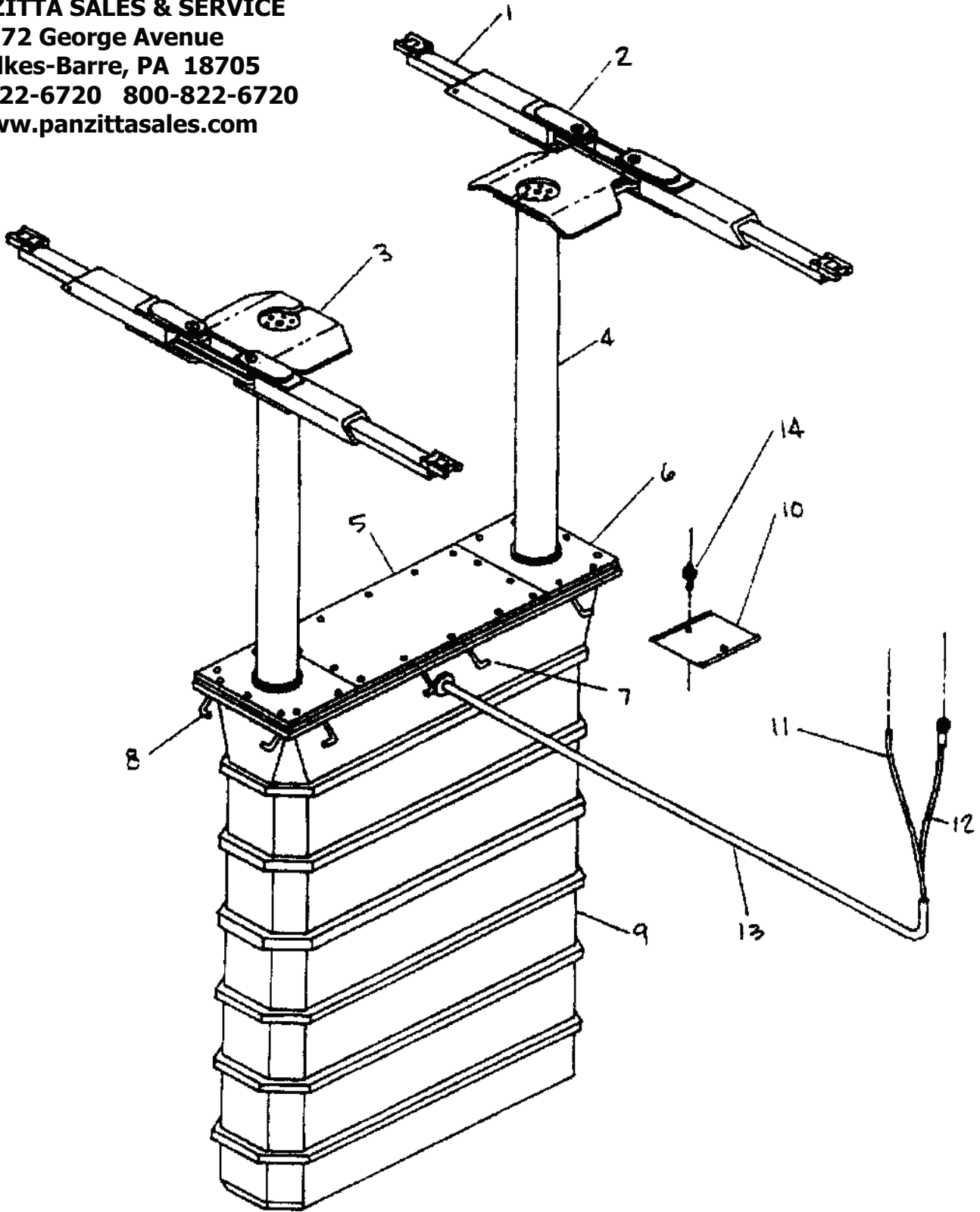
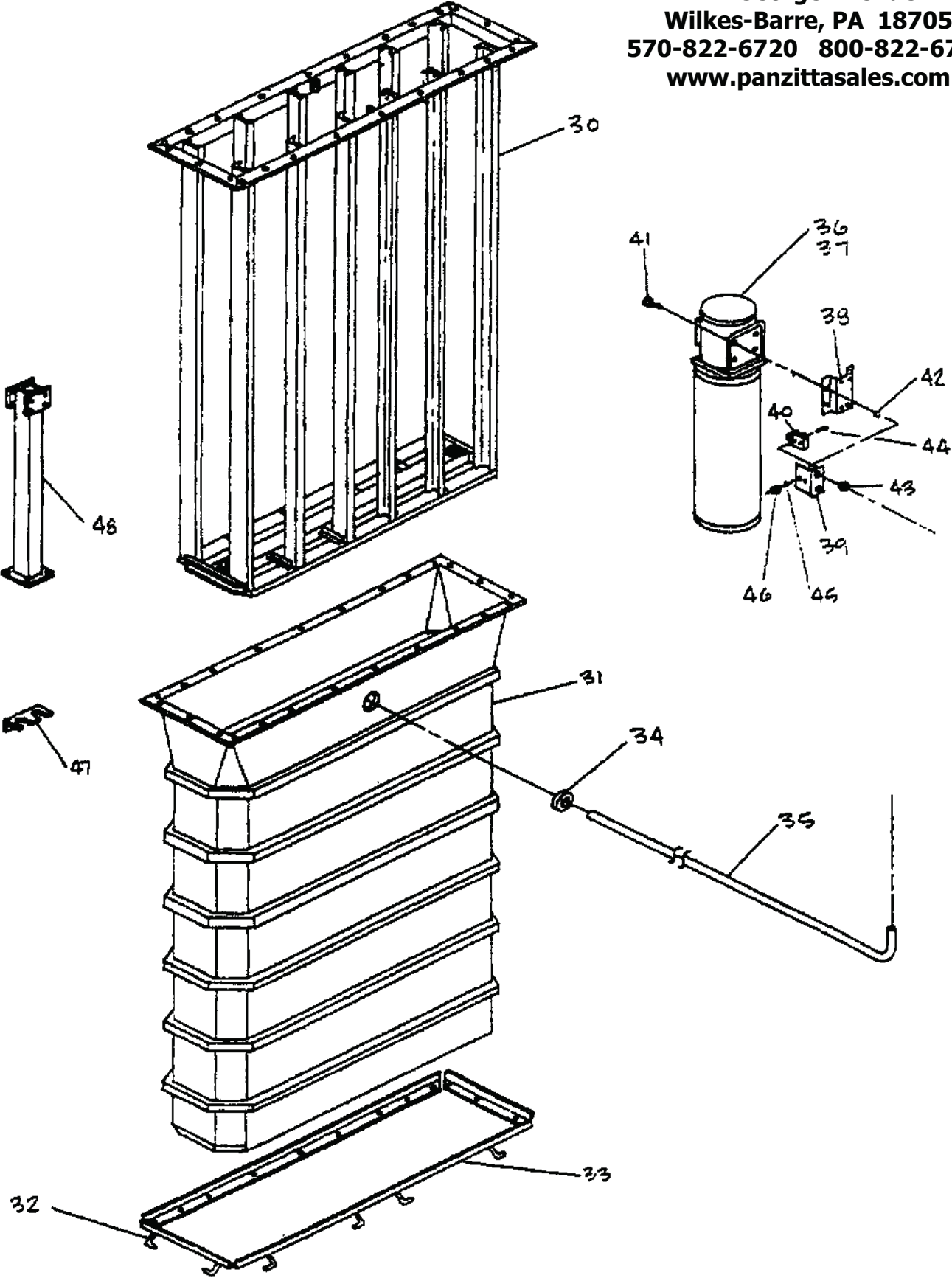


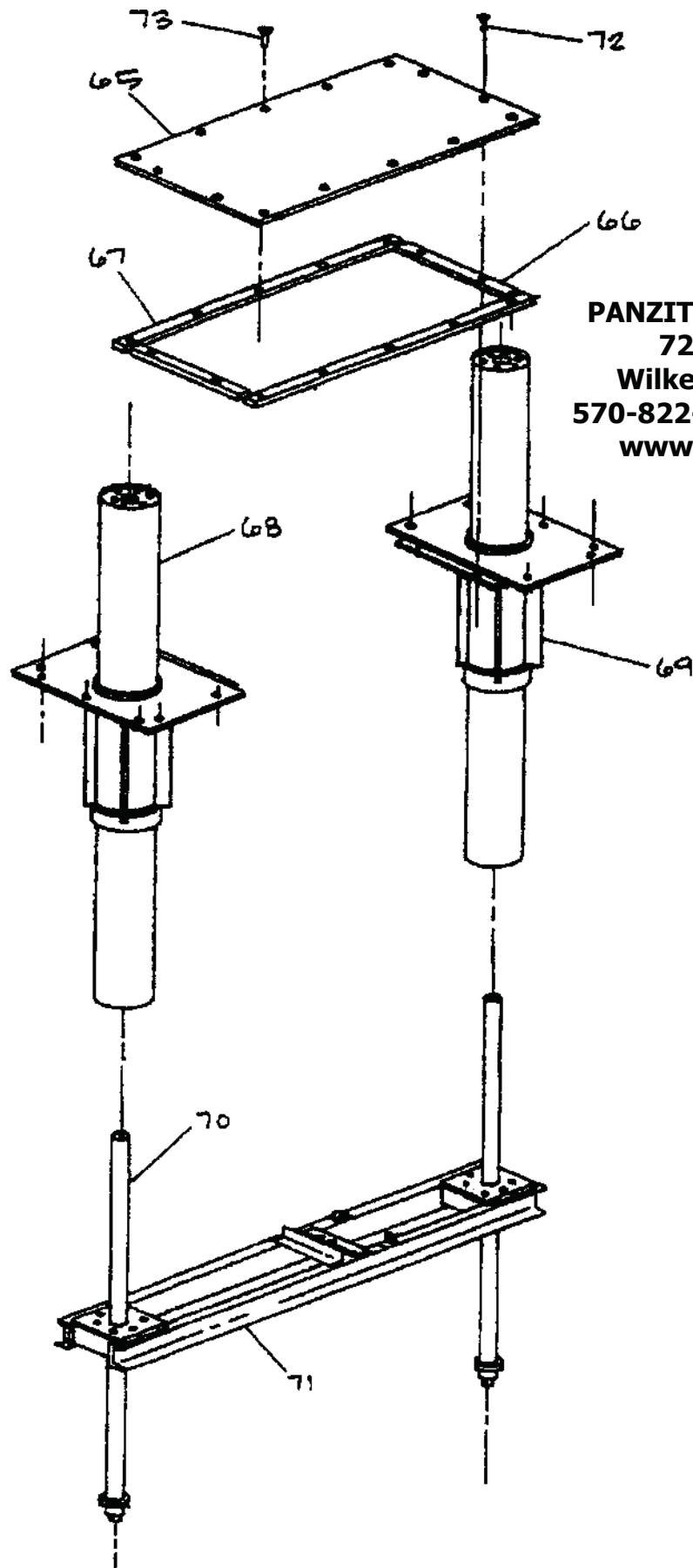
GPI-9,9A,7P PARTS BREAKDOWN

PANZITTA SALES & SERVICE
72 George Avenue
Wilkes-Barre, PA 18705
570-822-6720 800-822-6720
www.panzittasales.com



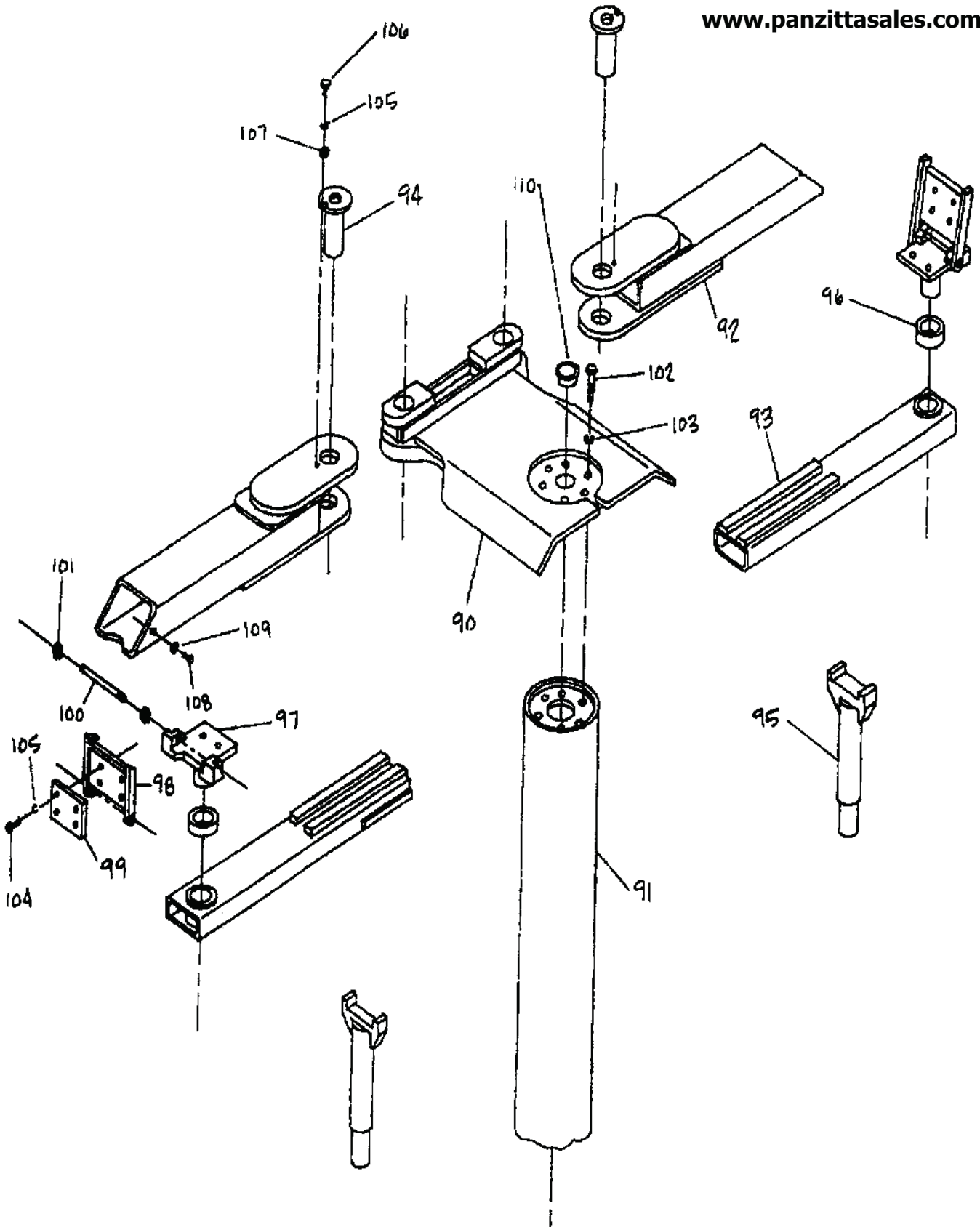
PANZITTA SALES & SERVICE
72 George Avenue
Wilkes-Barre, PA 18705
570-822-6720 800-822-6720
www.panzittasales.com



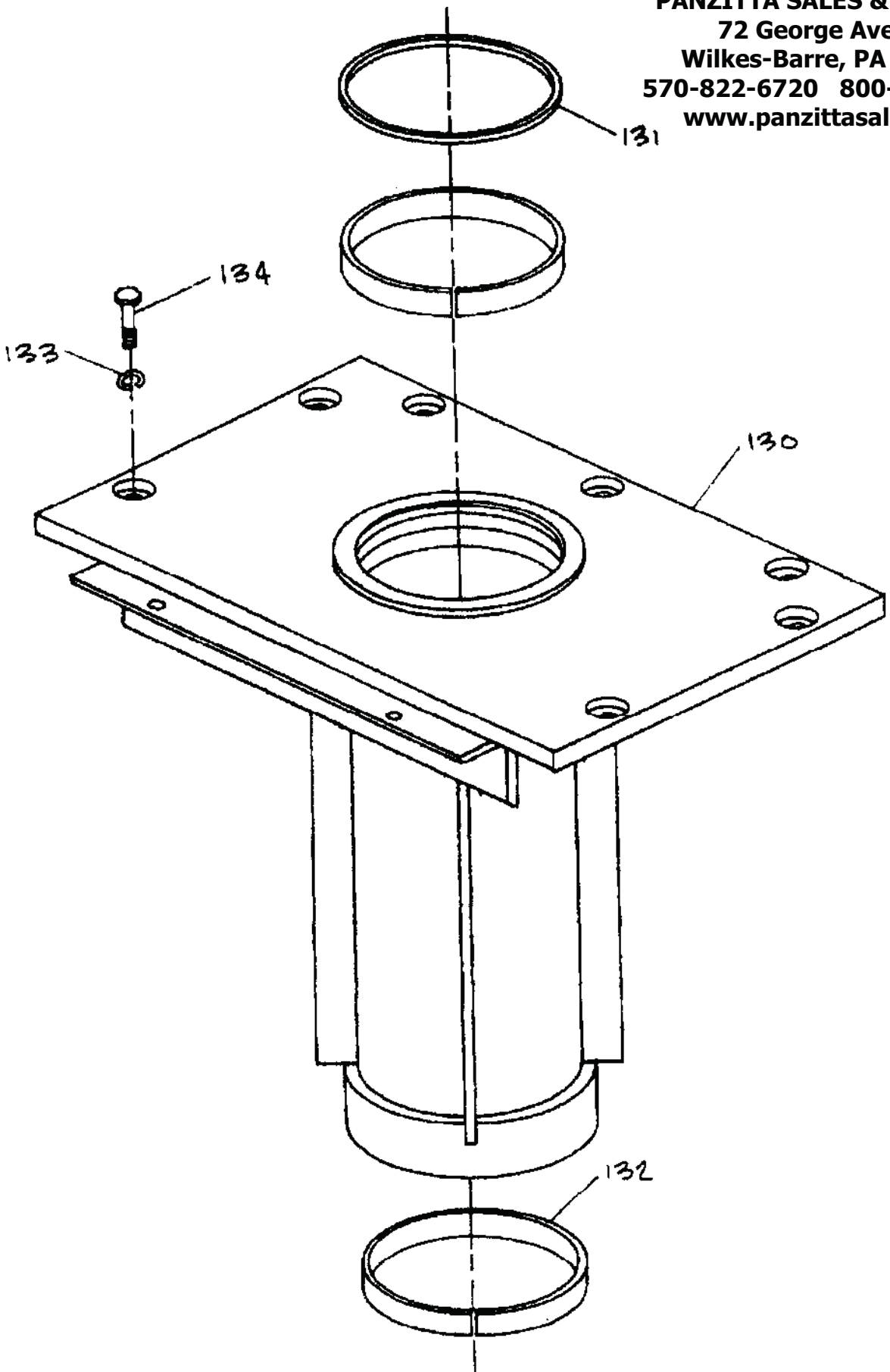


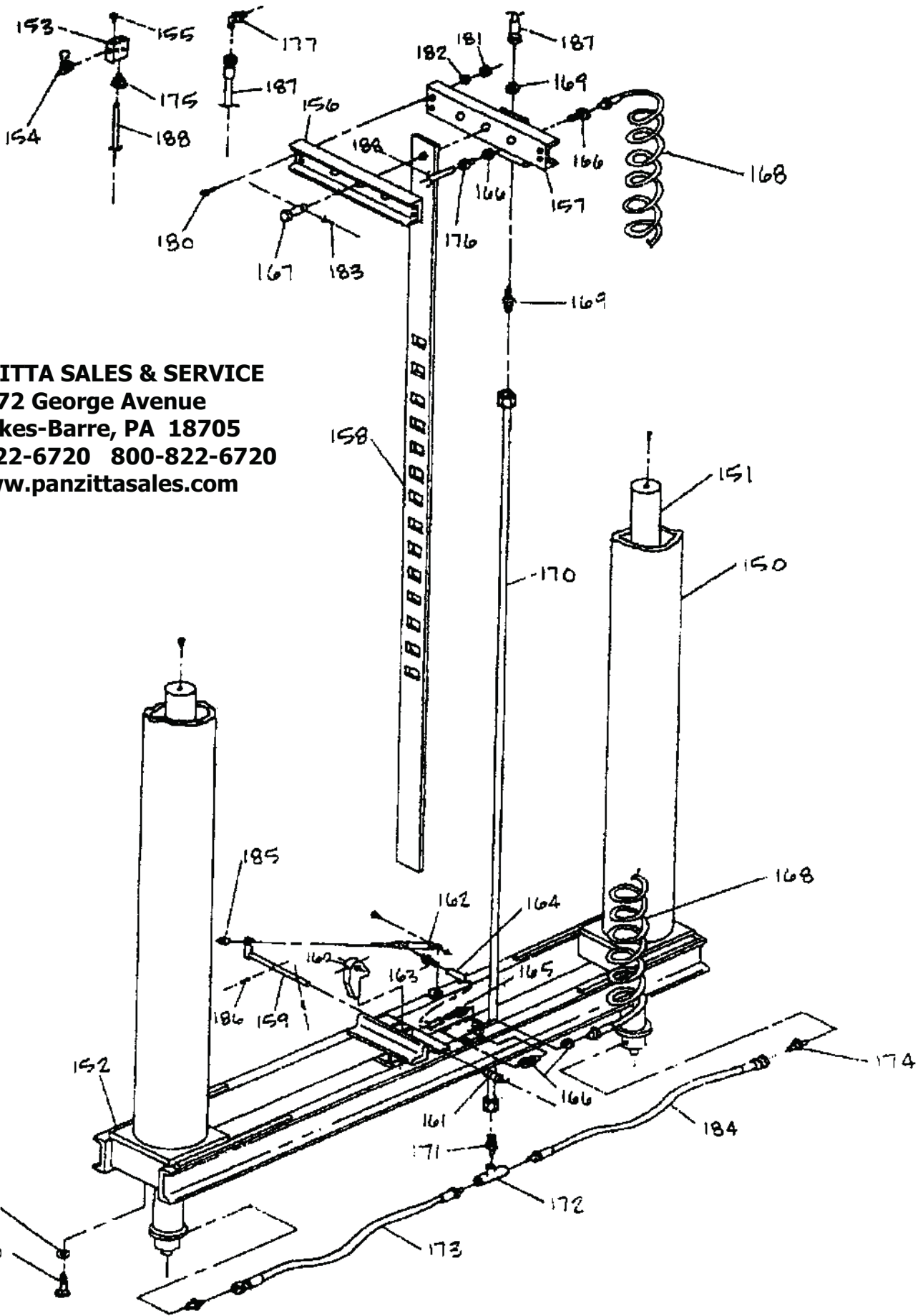
PANZITTA SALES & SERVICE
72 George Avenue
Wilkes-Barre, PA 18705
570-822-6720 800-822-6720
www.panzittasales.com

PANZITTA SALES & SERVICE
72 George Avenue
Wilkes-Barre, PA 18705
570-822-6720 800-822-6720
www.panzittasales.com



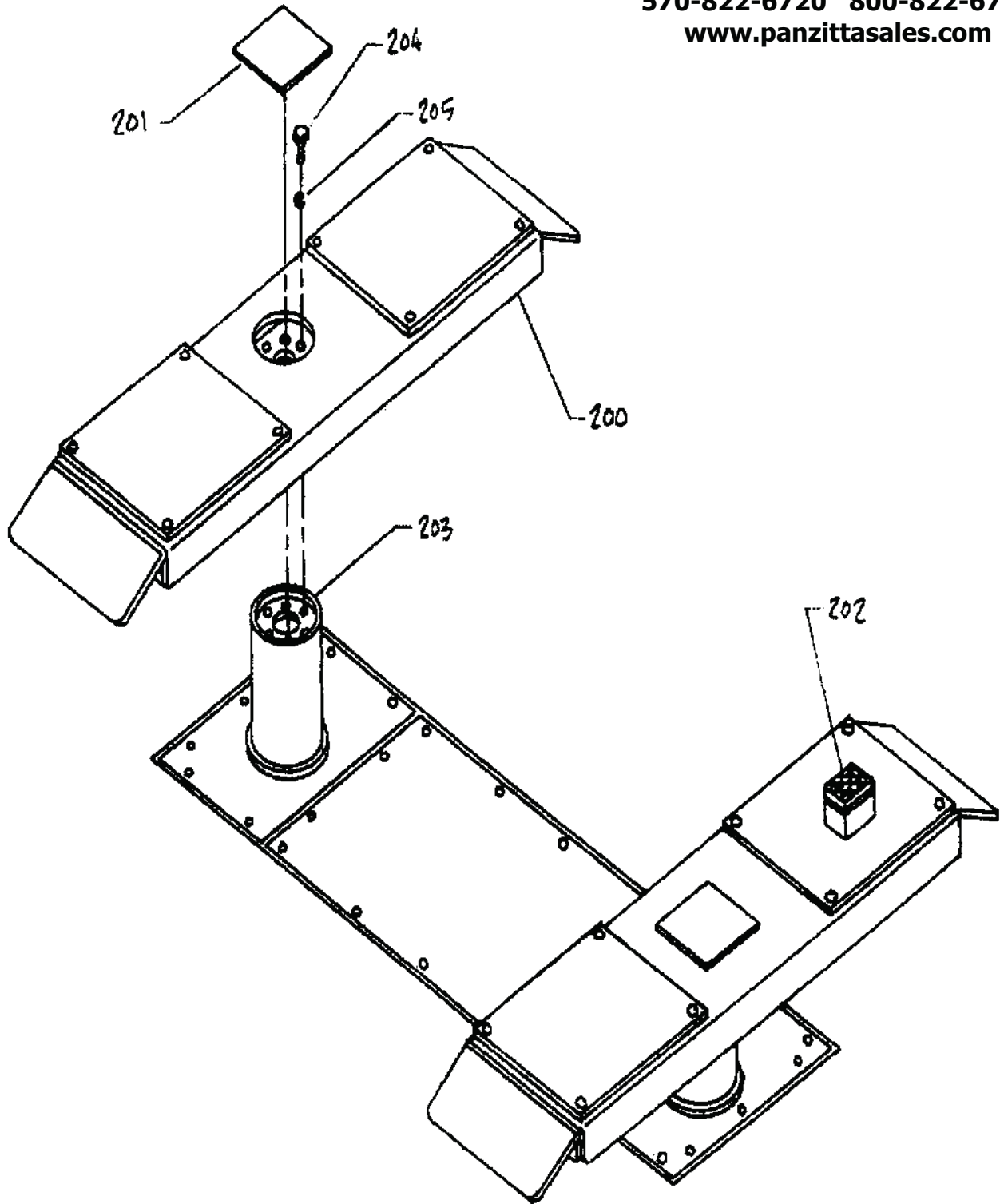
PANZITTA SALES & SERVICE
72 George Avenue
Wilkes-Barre, PA 18705
570-822-6720 800-822-6720
www.panzittasales.com





PANZITTA SALES & SERVICE
 72 George Avenue
 Wilkes-Barre, PA 18705
 570-822-6720 800-822-6720
 www.panzittasales.com

PANZITTA SALES & SERVICE
72 George Avenue
Wilkes-Barre, PA 18705
570-822-6720 800-822-6720
www.panzittasales.com



GPI-9,-9A,-7P PARTS BREAKDOWN

ITEM	PART NO.	DESCRIPTION	GPI-9 QTY	-9A QTY	-7P QTY
1	200112	Arm Extension Assy	4		
2	200108	Arm Assy	4		
3	200103	Bolster Assy	2		
4	200006	Plunger Assy	2	2	2
5	200027	Center Sheet	1	1	1
6	200089	Bearing Assy	2	2	2
7	200079	Side Anchor Assy	2	2	2
8	200078	End Anchor Assy	2	2	2
9	200009	Container	1	1	1
10	200158	Wheel Spotting Dish	1		
11	200174-1	1/4" O.D. Polyethylene Tube	1	1	1
12		3/8" I.D. Hydraulic Hose Assy (By Installer)	1	1	1
13		2" P.V.C Tube (By Installer)	1	1	1
14	101131	Anchor Bolt	2	2	2
30	200090	Frame Assy	1	1	1
31	200009	Container	Ref.	Ref.	Ref.
32	200078	End Anchor Assy	Ref.	Ref.	Ref.
33	200079	Side Anchor Assy	Ref.	Ref.	Ref.
34	200019	Insulation Grommet	1	1	1
35		2" P.V.C. Tube (By Installer)	Ref.	Ref.	Ref.
36	200178	Electric/Hydraulic Pump (1 Phase)	1	1	1
37	200179	Electric/Hydraulic Pump (3 Phase)	1	1	1
38	200115	Pump Mount Brkt.	1	1	1
39	200114	Air Valve Brkt.	1	1	1
40	500373	Air Valve	1	1	1
41	5/16-18 x 3/4	Hex Head Bolt Gr.5	4	4	4
42	5/16	Split Lock Washer	4	4	4
43	5/16-18	Hex Nut	4	4	4
44	#10-32 x 1 1/8	Phil. Pan Head Screw	2	2	2
45	3/16	Split Lock Washer	2	2	2
46	#10-32	Hex Nut	2	2	2
47	300878-1	Truck Adapter Bracket (Optional)	2		
48	200138	Pump Stand Assy (Optional)	1	1	1

PANZITTA SALES & SERVICE

72 George Avenue

Wilkes-Barre, PA 18705

570-822-6720 800-822-6720

www.panzittasales.com

PARTS BREAKDOWN

ITEM	PART NO.	DESCRIPTION	GP-9 QTY	-9A QTY	-9P QTY
65	200027	Center Sheet	Ref.	Ref.	Ref.
66	200030	End Gasket	2	2	2
67	200031	Side Gasket	2	2	2
68	200006	Plunger Assy	Ref.	Ref.	Ref.
69	200089	Bearing Assy	Ref.	Ref.	Ref.
70	200010	Hydraulic Cylinder	2	2	2
71	200072	Synchronizer Assy	1	1	1
72	5/16-18 x 1 3/4"	Flat Head Socket Head Screw	4	4	4
73	5/16-18 x 2 1/4"	Flat Head Socket Head Screw	10	10	10
90	200103	Bolster Assy	Ref.		
91	200006	Plunger Assy	Ref.	Ref.	Ref.
92	200108	Arm Assy	Ref.		
93	200112	Arm Extension Assy	Ref.		
94	200106	Arm Pin Assy	2		
95	200065	Truck Adapter Assy (Optional)	2		
96	200068	Adapter Spacer	2		
97	200017	Flip Up Base	2		
98	200057	Flip Up Adapter	2		
99	200071	Adapter Urethane Pad	2		
100	200113	Adapter Pin	2		
101	300218-16	Retaining Ring	4		
102	3/4-10 x 2 3/4	Hex Head Bolt Gr. 5	8		
103	3/4	Split Lock Washer	6		
104	1/4-20 x 1/2	Phil. Pan Head Screw	8		
105	1/4	Split Lock Washer	10		
106	1/4-20 x 5/8	Hex Head Bolt	2		
107	1/4	SAE Flat Washer	2		
108	3/8-16 x 3/4	Hex Head Bolt	2		
109	3/8	Split Lock Washer	2		
110	200161	Bolster Caplug	1		
130	200089	Bearing Assy	Ref.	Ref.	Ref.
131	200016	Wiper Ring	1	1	1
132	200023	Wear Ring	2	2	2
133	1/2	Split Lock Washer	7	7	7
134	1/2-13 x 2"	Hex Head Bolt Gr. 5	7	7	7

PANZITTA SALES & SERVICE

72 George Avenue

Wilkes-Barre, PA 18705

570-822-6720 800-822-6720

www.panzittasales.com

PARTS BREAKDOWN

ITEM	PART NO.	DESCRIPTION	GPI-9 QTY	-9A QTY	-7P QTY
150	200006	Piunger Assy	Ref.	Ref.	Ref.
151	200010	Hydraulic Cylinder	Ref.	Ref.	Ref.
152	200072	Synchronizer Assy	Ref.	Ref.	Ref.
153	500373	Air Valve	Ref.	Ref.	Ref.
154	500374	Finger Tip Operator	1	1	1
155	500376	Breather Muffler	1	1	1
156	200032-1	Lock Bar Support Channel	1	1	1
157	200080	Fitting Bracket Assy	1	1	1
158	200037	Lock Bar	1	1	1
189	200055	Pin Lock Assy	1	1	1
160	300807	Lock Latch	1	1	1
161	300269	Safety Lock Spring	1	1	1
162	200077	Lock Release Air Cylinder	1	1	1
163	200189	Hose Barb	1	1	1
164	500399-19	Rubber Hose	1	1	1
165	200096	Hose Barb	1	1	1
166	500915	Anchor Connector	2	2	2
167	200120	Lock Bar Clevis Pin	1	1	1
168	200098	Retracting Air Hose	1	1	1
169	200093	Bulkhead Fitting	1	1	1
170	200171	Hydraulic Line Assy	1	1	1
171	200097	Male Connector Fitting	1	1	1
172	200094	Female Tee	1	1	1
173	200119	Hydraulic Hose Assy (30 5/8")	1	1	1
174	200099	Connector Fitting	2	2	2
175	200100	Male Connector	1	1	1
176	200116	Male Connector	1	1	1
177	500393	37° Flare to St. Thd. O-ring 90° Elbow	1	1	1
178	3/4-10 x 2"	Hex Head Bolt Gr.5	12	12	12
179	3/4	Split Lock Washer	12	12	12
180	7/16-14 x 1 1/2	Hex Head Bolt Gr.5	4	4	4
181	7/16-14	Hex Head Stop Nut	4	4	4
182	7/16	Split Lock Washer	4	4	4
183	5/32 x 1 1/2	Cotter Pin	1	1	1
184	200119-1	Hydraulic Hose Assy (24 5/8")	1	1	1
185	1/4-28	Nylon Insert Lock Nut	1	1	1
186	5/32 x 1 1/2	Roll Pin	2	2	2
187		3/8" I.D. Hydraulic Hose Assy (Installer)	Ref.	Ref.	Ref.
188	200174-1	1/4" O.D. Polyethylene Tube	Ref.	Ref.	Ref.

PANZITTA SALES & SERVICE

72 George Avenue

Wilkes-Barre, PA 18705

570-822-6720 800-822-6720

www.panzittasales.com