

PANZITTA SALES & SERVICE  
72 George Avenue  
Wilkes-Barre, PA 18705  
570-822-6720 800-822-6720  
www.panzittasales.com

**WALKER**

**SERVICE  
DIVISION**

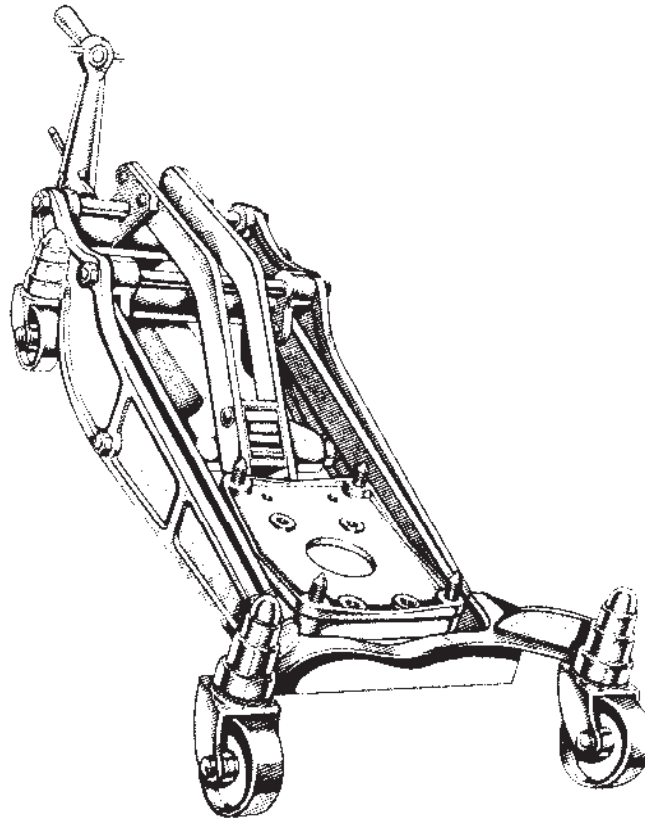
## Jack Parts Sheet

**MODEL J-798**

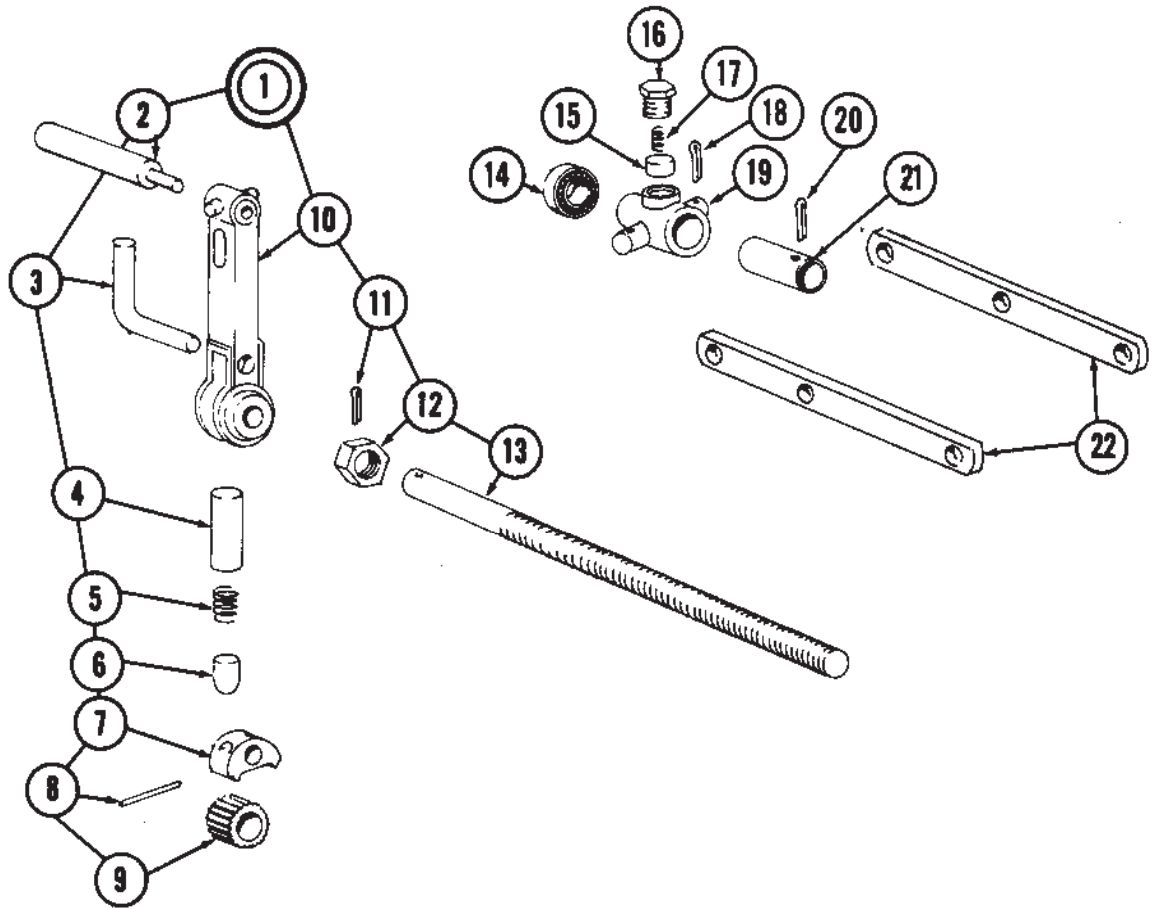
**SERIES "E"**

**TRANSMISSION JACK**

**¼ TON CAPACITY**



**MODEL J-798 SERIES "E"**

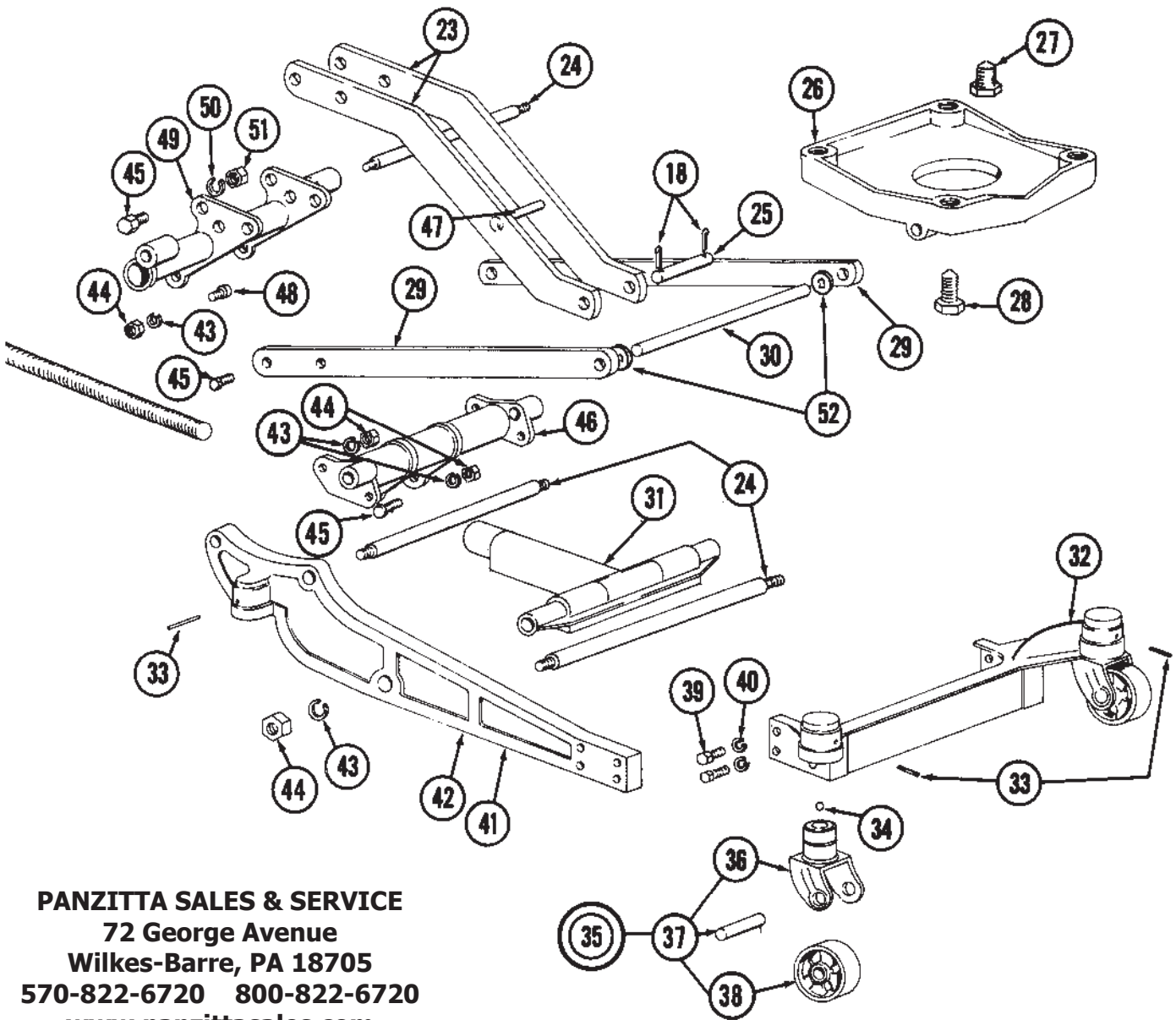


**PANZITTA SALES & SERVICE**  
**72 George Avenue**  
**Wilkes-Barre, PA 18705**  
**570-822-6720 800-822-6720**  
**www.panzittasales.com**

Code No.	Part No.	Description	No. Req.	Code No.	Part No.	Description	No. Req.
1	225876	Handle & Screw Assy.	1	12	226312	Collar	1
2	226282	Handle Grip	1	13	226246	Screw	1
3	226283	Control Lever	1	14	900934	Bearing Assy.	1
4	226281	Holder	1	15	226286	Drag Plug	1
5	226372	Spring	1	16	226285	Drag Adjusting Plug	1
6	226280	Plunger	1	17	226375	Drag Spring	1
7	226273	Dog	1	18	204509	Cotter Pin	4
8	217873	Roll Pin	1	19	226524	Trunnion	1
9	226279	Ratchet Wheel	1	20	204549	Cotter Pin	1
10	226528	Ratchet Lever	1	21	226284	Drag Tube	1
11	204543	Cotter Pin	1	22	226296	Lever Link	2

**ORDER BY PART NUMBER, NOT BY CODE NUMBER**  
**SEE BACK PAGE FOR COMPLETE NUMERICAL LISTING**

**MODEL J-798 SERIES "E"**



**PANZITTA SALES & SERVICE**  
 72 George Avenue  
 Wilkes-Barre, PA 18705  
 570-822-6720 800-822-6720  
 www.panzittasales.com

Code No.	Part No.	Description	No. Req.	Code No.	Part No.	Description	No. Req.
23	226244	Arm	2	38	226518	Wheel	4
24	226289	Stay Rod	3	39	212651	Cap Screw	8
25	226288	Rear Cap Pin	1	40	209967	Lockwasher	8
26	226521	Cap	1	41	225407	L.H. Sideplate	1
27	205345	Set Screw	2	42	225406	R.H. Sideplate	1
28	205321	Set Screw	2	43	201110	Lockwasher	10
29	226248	Side Arm	2	44	203295	Nut	10
30	226287	Cross Pin	1	45	212675	Bolt	8
31	226526	Tee Nut	1	46	226523	Lever	1
32	225403	Front Bracket	1	47	226371	Spacer	1
33	225923	Rollpin	4	48	226290	Link Stud	4
34	203205	Ball	4	49	226522	Rear Lever	1
35	225450	Wheel & Fork Assy.	4	50	209970	Lockwasher	8
36	225409	Fork	4	51	203349	Nut	8
37	226232	Axle	4	52	204337	Washer	2

ORDER BY PART NUMBER, NOT BY CODE NUMBER  
 SEE BACK PAGE FOR COMPLETE NUMERICAL LISTING

**MODEL J-798 SERIES "E"**

**NUMERICAL LISTING OF PARTS**

Part No.	Code No.	Part No.	Code.No.	Part No.	Code No.	Part No.	Code No.
201110	43	225403	32	226282	2	226521	26
203205	34	225406	42	226283	3	226522	49
203295	44	225407	41	226284	21	226523	46
203349	51	225409	36	226285	16	226524	19
204337	52	225450	35	226286	15	226526	31
204509	18	225876	1	226287	30	226528	10
204543	11	225923	33	226288	25	900934	14
204549	20	226232	37	226289	24		
205321	28	226244	23	226290	48		
205345	27	226246	13	226296	22		
209967	40	226248	29	226312	12		
209970	50	226273	7	226371	47		
212651	39	226279	9	226372	5		
212675	45	226280	6	226375	17		
217873	8	226281	4	226518	38		

ORDER BY PART NUMBER, NOT BY CODE NUMBER

**PANZITTA SALES & SERVICE**  
**72 George Avenue**  
**Wilkes-Barre, PA 18705**  
**570-822-6720 800-822-6720**  
**www.panzittasales.com**