

**PANZITTA SALES & SERVICE**  
72 George Avenue  
Wilkes-Barre, PA 18705  
570-822-6720 800-822-6720  
[www.panzittasales.com](http://www.panzittasales.com)

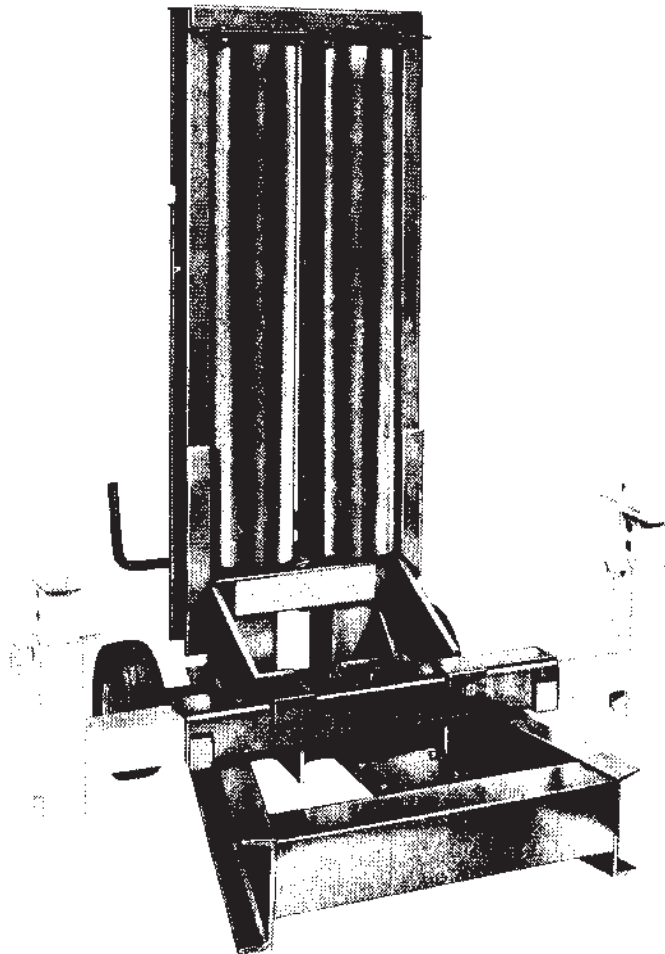
---

# **WALKER SERVICE DIVISION**

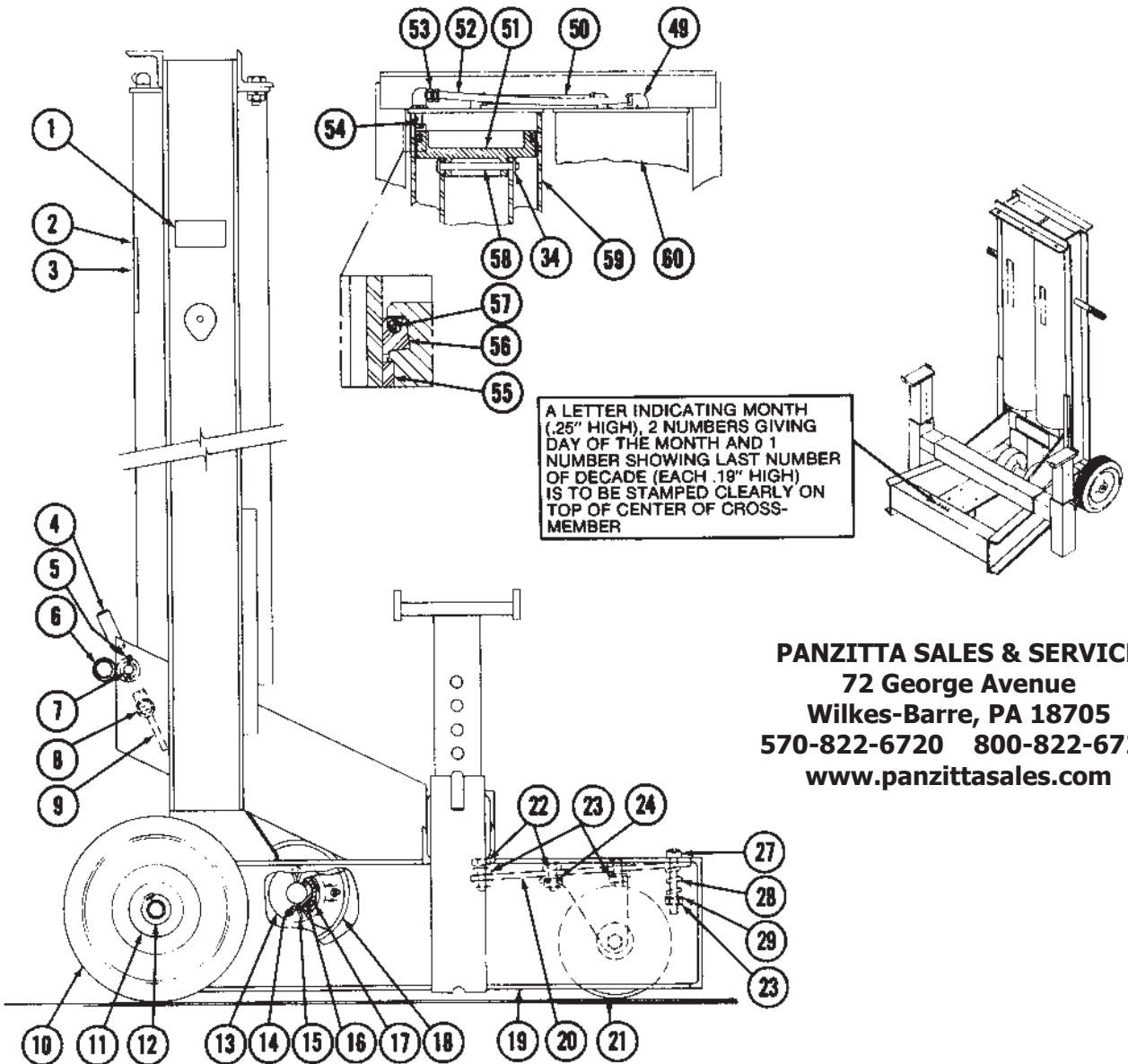
---

**JACK PARTS MANUAL**  
**MODEL J-199**  
**SERIES "A"**

**7 TON CAPACITY**



# MODEL J-199 SERIES "A"



**PANZITTA SALES & SERVICE**  
 72 George Avenue  
 Wilkes-Barre, PA 18705  
 570-822-6720 800-822-6720  
 www.panzittasales.com

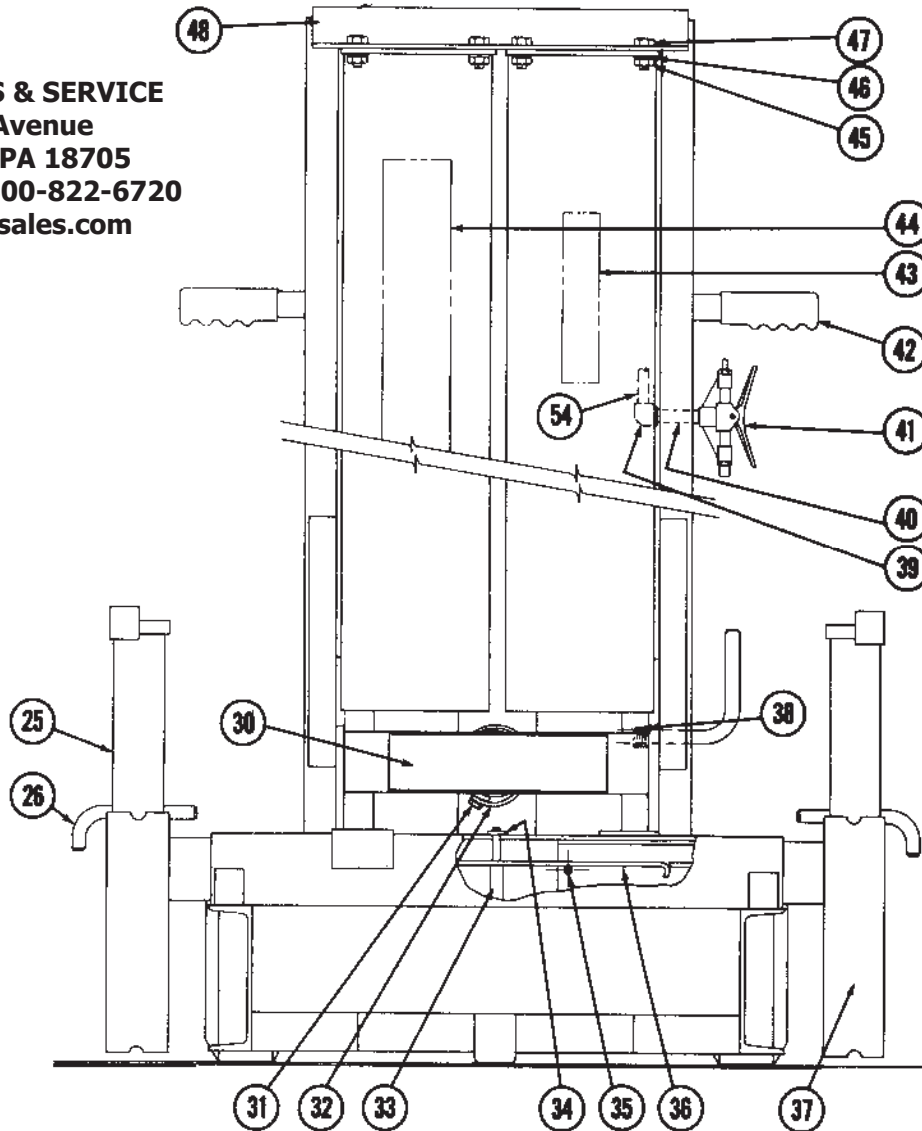
**NOTE: NEW CAUTION and INSTRUCTION PLATES, must be replaced on every repair.**  
 (Code Numbers 2, 3 & 30)

Code No.	Part No.	Part Name	No. Req'd	Code No.	Part No.	Part Name	No. Req'd
1	227657	Name Plate	1	16	227638	Spacer	1
2	226601	Instruction Plate	1	17	209746	Roller	26
3	227917	Instruction Plate	1	18	900283	Wheel & Bushing Ass'y	2
4	227643	Handle - Safety Stop	1	19	227603	Column & Base Ass'y	1
5	204543	Cotter Pin	2	20	227656	Caster Plate	1
6	227633	Tank Retainer Ass'y	1	21	223135	Caster - Swivel	1
7	227652	Cross Pin	1	22	212624	Bolt	5
8	226603	Roll Pin	1	23	207169	Nut	8
9	227616	Handle Stop Ass'y	1	24	201090	Lockwasher	4
10	227649	Wheel - Rear	2	25	227622	Saddle Ass'y	2
11	221778	Washer	4	26	227651	Position Pin	2
12	221820	Ret. Ring	2	27	200472	Screw	2
13	210735	Washer	4	28	223707	Spring	2
14	227639	Axle	1	29	204271	Washer	2
15	204530	Cotter Pin	2	30	227658	Instruction Plate	1

**ORDER BY PART NUMBER, NOT BY CODE NUMBER**  
 SEE BACK PAGE FOR COMPLETE NUMERICAL LISTING

## MODEL J-199 SERIES "A"

**PANZITTA SALES & SERVICE**  
 72 George Avenue  
 Wilkes-Barre, PA 18705  
 570-822-6720 800-822-6720  
 www.panzittasales.com



**NOTE: NEW CAUTION and INSTRUCTION PLATES, must be replaced on every repair.**  
 (Code Numbers 2, 3 & 30)

Code No.	Part No.	Part Name	No. Req'd	Code No.	Part No.	Part Name	No. Req'd
31	212622	Bolt	1	46	225254	Lockwasher	4
32	227650	Skid Ring	1	47	212688	Bolt	4
33	227637	Pin	1	48	227589	Lift Frame Ass'y	1
34	220018	Ret. Ring	3	49	223964	Elbow	3
35	227653	Roll Pin	2	50	227647	Air Hose - Short	1
36	228061	Positioning Bar Ass'y	1	51	227640	Piston	2
37	227619	Saddle Arm Ass'y	2	52	227648	Air Hose - Long	1
38	227644	Spring	1	53	227646	Coupling - Hose	1
39	227631	Elbow - 90°	1	54	227642	Air Tube	1
40	221356	Pipe Nipple	1	55	227655	Slip Ring	2
41	228111	Air Valve	1	56	223575	"U" Cup	2
42	224641	Grip - Handle	2	57	228017	Tube - Expander	2
43	227998	Capacity Label	1	58	227654	Pin	2
44	228000	Logo Label	1	59	227629	Air Cyl. Ass'y - L.H.	1
45	203272	Nut	4	60	227626	Air Cyl. Ass'y - R.H.	1

**ORDER BY PART NUMBER, NOT BY CODE NUMBER**  
 SEE BACK PAGE FOR COMPLETE NUMERICAL LISTING

**MODEL J-199 SERIES "A"**

**NUMERICAL LISTING OF PARTS**

<b>Part No.</b>	<b>Code No.</b>	<b>Part No.</b>	<b>Code No.</b>	<b>Part No.</b>	<b>Code No.</b>	<b>Part No.</b>	<b>Code No.</b>
200472	27	221820	12	227629	59	227651	26
201090	24	223135	21	227631	39	227652	7
203272	45	223575	56	227633	6	227653	35
204271	29	223707	28	227637	33	227654	58
204530	15	223964	49	227638	16	227655	55
204543	5	224641	42	227639	14	227656	20
207169	23	225254	46	227640	51	227657	1
209746	17	226601	2	227642	54	227658	30
210735	13	226603	8	227643	4	227917	3
212622	31	227589	48	227644	38	227998	43
212624	22	227603	19	227646	53	228000	44
212688	47	227616	9	227647	50	228017	57
220018	34	227619	37	227648	52	228061	36
221356	40	227622	25	227649	10	228111	41
221778	11	227626	60	227650	32	900283	18

ORDER BY PART NUMBER, NOT BY CODE NUMBER

**PANZITTA SALES & SERVICE**  
**72 George Avenue**  
**Wilkes-Barre, PA 18705**  
**570-822-6720 800-822-6720**  
**www.panzittasales.com**