
WALKER®

**SERVICE
DIVISION**

Jack Parts Sheet

MODEL 93660

SERIES A & B

10 TON CAPACITY

HYDRAULIC SERVICE JACK

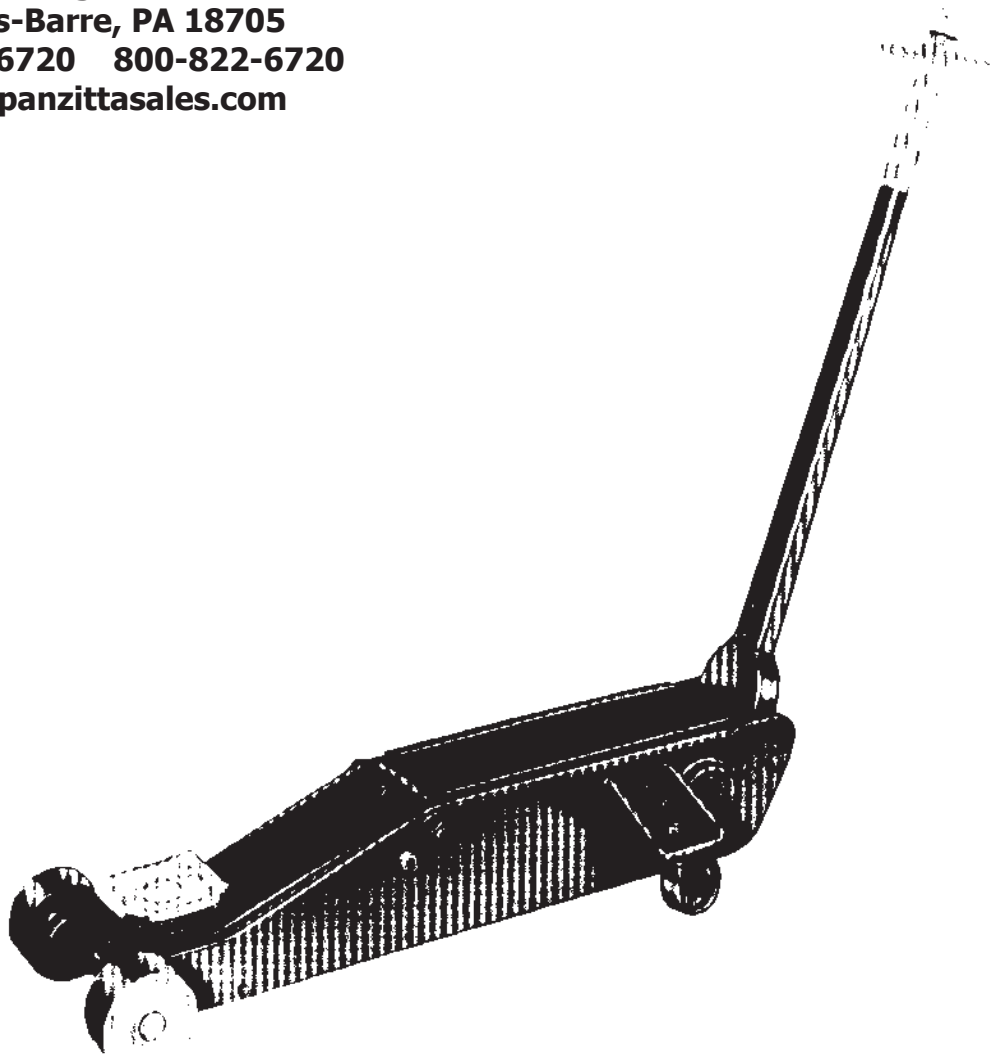
PANZITTA SALES & SERVICE

72 George Avenue

Wilkes-Barre, PA 18705

570-822-6720 800-822-6720

www.panzittasales.com

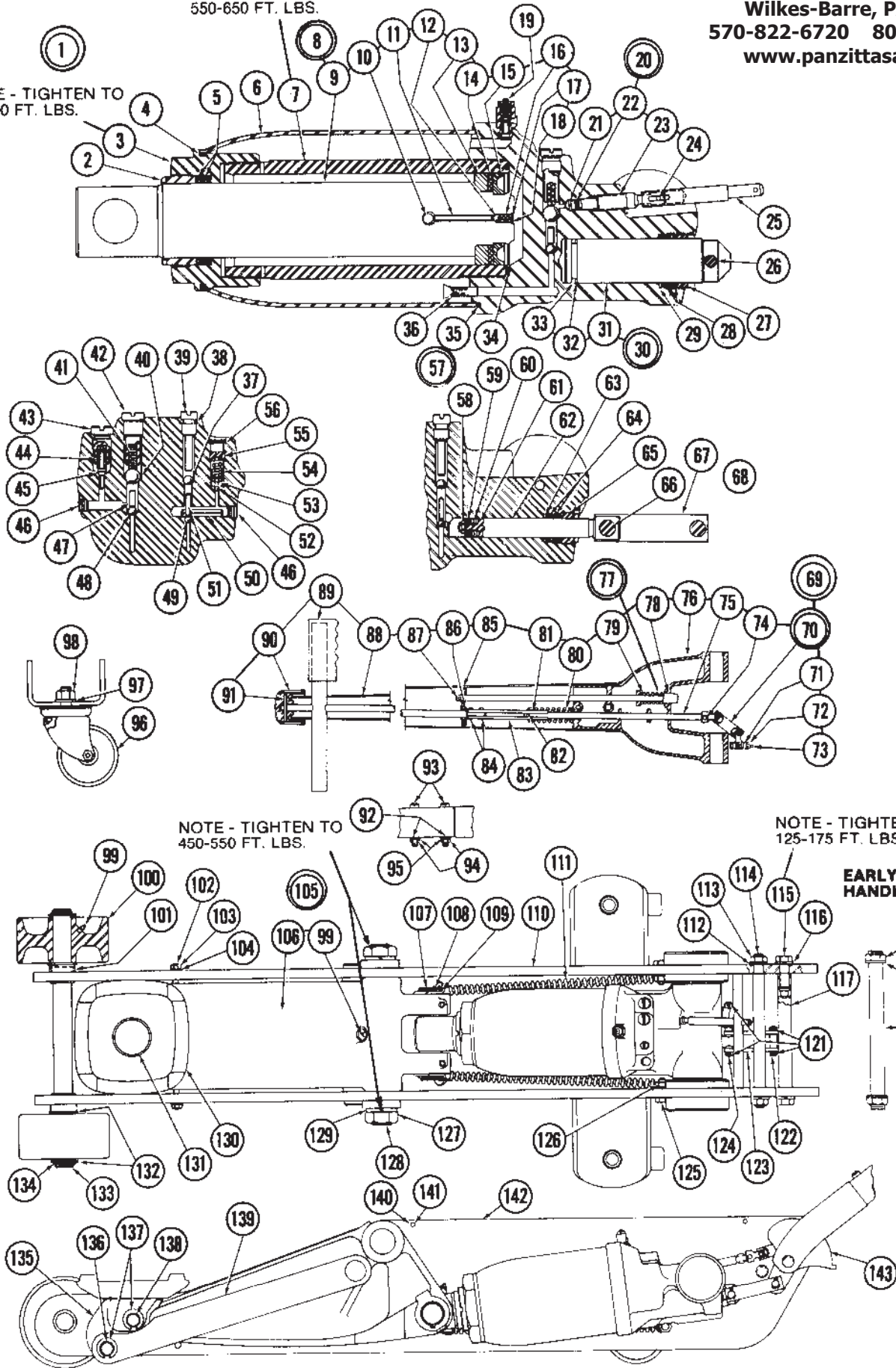


MODEL 93660

PANZITTA SALES & SERVICE
72 George Avenue
Wilkes-Barre, PA 18705
570-822-6720 800-822-6720
www.panzittasales.com

NOTE - TIGHTEN TO
550-650 FT. LBS.

NOTE - TIGHTEN TO
75-100 FT. LBS.



ORDER BY PART NUMBER, NOT BY CODE NUMBER
SEE BACK PAGE FOR COMPLETE NUMERICAL LISTING

PANZITTA SALES & SERVICE
72 George Avenue
Wilkes-Barre, PA 18705
570-822-6720 800-822-6720
www.panzittasales.com

MODEL 93660

| Code No. | Part No. | Description | No. Req'd. | Code No. | Part No. | Description | No. Req'd. |
|----------|----------|-------------------------|------------|----------|----------|------------------------------------|------------|
| 1 | 229886 | Hydraulic Unit Assembly | 1 | 76 | 229949 | Handle Socket | 1 |
| 2 | 229895 | Gland Nut | 1 | 77 | 229952 | Plunger Rod & Head Assy. | 1 |
| 3 | 229893 | Tank Nut | 1 | 78 | 226303 | Plunger Head | 1 |
| 4 | 229889 | O'Ring | 1 | 79 | 226372 | Spring | 1 |
| 5 | 229907 | Ram Packing Ring | 2 | 80 | 228875 | Spring | 1 |
| 6 | 229892 | Oil Tank | 1 | 81 | 204303 | Washer | 1 |
| 7 | 229898 | Cylinder | 1 | 82 | 218988 | Rollpin | 1 |
| 8 | 231945 | Ram Assy. | 1 | 83 | 227398 | Slide Rods | 2 |
| 9 | 229897 | Ram | 1 | 84 | 202294 | Rivets | 2 |
| 10 | 229902 | Cross Pin | 1 | 85 | 227397 | Link | 1 |
| 11 | 229903 | Up-Stop Pin | 1 | 86 | 204277 | Washer | 1 |
| 12 | 203199 | Ball | 1 | 87 | 204461 | Cotter Pin | 1 |
| 13 | 229956 | Heel Plate | 1 | 88 | 221781 | Handle & Tube Assy. | 1 |
| 14 | 229900 | Back Up Washer | 1 | 89 | 221809 | Handle Grip | 2 |
| 15 | 229899 | 'U' Cup | 1 | 90 | 221937 | Release Knob | 1 |
| 16 | 226331 | Spring | 1 | 91 | 221938 | Rollpin | 1 |
| 17 | 223166 | Screen | 1 | 92 | 204270 | Washer | 2 |
| 18 | 210411 | Washer | 1 | 93 | 200472 | Bolt | 2 |
| 19 | 227095 | Filler Plug | 1 | 94 | 203344 | Nut | 2 |
| 20 | 222095 | Release Stem Assy. | 1 | 95 | 209964 | Lockwasher | 2 |
| 21 | 212227 | Valve | 1 | 96 | 229937 | Caster | 2 |
| 22 | 214555 | 'O' Ring | 1 | 97 | 201115 | Lock Washer | 2 |
| 23 | 212875 | Release Stem | 1 | 98 | 203297 | Nut 3/4 | 2 |
| 24 | 220769 | Pin | 1 | 99 | 226318 | Grease Fittings | 5 |
| 25 | 229909 | Slotted Tube | 1 | 100 | 231963 | Wheel | 2 |
| 26 | 216646 | Pump Pin | 1 | 101 | 217653 | Roll Pin | 2 |
| 27 | 226326 | Packing Nut | 1 | 102 | 229938 | Pin | 1 |
| 28 | 213171 | Packing | 2 | 103 | 207169 | Nut | 2 |
| 29 | 204372 | Washer | 1 | 104 | 201789 | Lock Washer | 2 |
| 30 | 222098 | Speed Pump Assy. | 1 | 105 | 231474 | Lifting Arm Assy. | 1 |
| 31 | 221770 | Speed Pump | 1 | 106 | 229913 | Lifting Arm (Less Grease Fittings) | 1 |
| 32 | 221771 | Washer | 1 | 107 | 229934 | Ram Pin | 1 |
| 33 | 221772 | Quad Ring | 1 | 108 | 229933 | Pull Back Plate | 2 |
| 34 | 229887 | 'O' Ring | 1 | 109 | 229910 | Retaining Ring | 2 |
| 35 | 229888 | 'O' Ring | 1 | 110 | 231416 | R.H. Side Plate Assy. | 1 |
| 36 | 222533 | Screen | 2 | 111 | 229932 | Pull Back Spring | 2 |
| 37 | 203201 | Ball 5/16 | 1 | 112 | 201110 | Lock Washer | 2 |
| 38 | 204842 | Gasket | 1 | 113 | 203299 | Nut | 2 |
| 39 | 229905 | Pressure Plug | 1 | 114 | 229931 | Bumper Pin | 1 |
| 40 | 203207 | Ball 1/2 | 1 | 115 | 231420 | Bolt | 2 |
| 41 | 222201 | Spring | 1 | 116 | 201110 | Lock Washer | 2 |
| 42 | 229904 | Plug | 1 | 117 | 231419 | Handle Fulcrum Pin | 1 |
| 43 | 222257 | Plug | 1 | 118 | 219451 | Nut | 2 |
| 44 | 226353 | Spring | 1 | 119 | 201477 | Lock Washer | 2 |
| 45 | 221739 | Poppet | 1 | 120 | NOTE | Handle Pin | 1 |
| 46 | 210311 | Pipe Plug | 2 | 121 | 204444 | Cotter Pin | 4 |
| 47 | 229908 | Spacer | 1 | 122 | 216645 | Pin | 1 |
| 48 | 203200 | Ball 9/32 | 1 | 123 | 226325 | Link | 2 |
| 49 | 203198 | Ball 7/32 | 1 | 124 | 216646 | Pin | 1 |
| 50 | 218991 | Roll Pin | 1 | 125 | 212689 | Bolt | 2 |
| 51 | 221742 | Spacer | 1 | 126 | 203272 | Nut | 2 |
| 52 | 203196 | Ball 5/32 | 1 | 127 | 203323 | Nut | 2 |
| 53 | 226376 | Adapter | 1 | 128 | 226271 | Fulcrum Pin | 1 |
| 54 | 226375 | Spring | 1 | 129 | 201481 | Lock Washer | 2 |
| 55 | 226373 | Adjusting Screw | 1 | 130 | 229942 | Lifting Cap | 1 |
| 56 | 201733 | Plug | 1 | 131 | 229944 | Swivel Pin | 1 |
| 57 | 222089 | Pressure Pump Assy. | 1 | 132 | 229912 | Washer | 4 |
| 58 | 224725 | Nut | 1 | 133 | 229939 | Axle | 1 |
| 59 | 218544 | Washer | 1 | 134 | 229911 | Retaining Ring | 2 |
| 60 | 218542 | Adapter | 1 | 135 | 229927 | Cap Housing | 1 |
| 61 | 201827 | 'V' Packing | 3 | 136 | 231431 | Pin | 1 |
| 62 | 221744 | Pressure Pump | 1 | 137 | 229947 | Retaining Ring | 4 |
| 63 | 204301 | Washer | 1 | 138 | 229946 | Pin | 1 |
| 64 | 213152 | Packings | 2 | 139 | 231430 | Parallel Link | 2 |
| 65 | 226314 | Gland Nut | 1 | 140 | 211567 | Screw | 4 |
| 66 | 216646 | Pump Pin | 1 | 141 | 201785 | Lock Washer | 4 |
| 67 | 226325 | Pump Link | 2 | 142 | 229954 | Unit Cover | 1 |
| 68 | 216645 | Pump Pin | 1 | 143 | 214700 | Handle Segment | 1 |
| 69 | 231962 | Complete Handle Assy. | 1 | | | | |
| 70 | 213704 | Universal Assy. | 1 | | | | |
| 71 | 201784 | Lock Washer | 1 | | | | |
| 72 | 203332 | Nut | 1 | | | | |
| 73 | 226366 | Bolt | 1 | | | | |
| 74 | 211341 | Rivet | 1 | | | | |
| 75 | 229951 | Rod | 1 | | | | |

NOTE — When Early Series Handle Pin is needed, order 1 of part number 231419 and 2 each of part numbers 231420 and 201110.

PANZITTA SALES & SERVICE

72 George Avenue

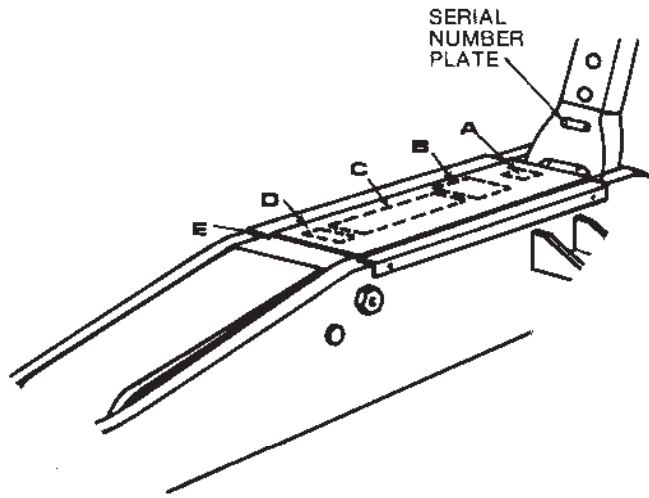
Wilkes-Barre, PA 18705

570-822-6720 800-822-6720

www.panzittasales.com

MODEL 93660

Label Locations



CAUTION
 THIS JACK IS DESIGNED FOR RAISING & LOWERING LOADS ONLY. AFTER RAISING A LOAD, ALWAYS USE JACK STANDS TO SUPPORT IT BEFORE GETTING UNDERNEATH IT OR MAKING REPAIRS. DO NOT OVERLOAD THE JACK OR JACK STANDS BEYOND THEIR RATED CAPACITIES.
FOR YOUR SAFETY

10 TON

WALKER

MODEL: RANGE:

SERIES: TONS CAP.:

WALKER MANUFACTURING, RACINE, WISCONSIN

WALKER

93660

NUMERICAL LISTING OF PARTS

| Part No. | Code No. | Part No. | Code No. | Part No. | Code No. | Part No. | Code No. |
|----------|----------|----------|-------------|----------|----------|----------|----------|
| 200472 | 93 | 211341 | 74 | 223166 | 17 | 229908 | 47 |
| 201110 | 112, 116 | 211567 | 140 | 224725 | 58 | 229909 | 25 |
| 201115 | 97 | 212227 | 21 | 226271 | 128 | 229910 | 109 |
| 201477 | 119 | 212689 | 125 | 226303 | 78 | 229911 | 134 |
| 201481 | 129 | 212875 | 23 | 226314 | 65 | 229912 | 132 |
| 201733 | 56 | 213152 | 64 | 226318 | 99 | 229913 | 106 |
| 201784 | 71 | 213171 | 28 | 226325 | 67, 123 | 229927 | 135 |
| 201785 | 141 | 213704 | 70 | 226326 | 27 | 229931 | 114 |
| 201789 | 104 | 214555 | 22 | 226331 | 16 | 229932 | 111 |
| 201827 | 61 | 214700 | 143 | 226353 | 44 | 229933 | 108 |
| 202294 | 84 | 216645 | 68, 122 | 226366 | 73 | 229934 | 107 |
| 203196 | 52 | 216646 | 26, 66, 124 | 226372 | 79 | 229937 | 96 |
| 203198 | 49 | 217653 | 101 | 226373 | 55 | 229938 | 102 |
| 203199 | 12 | 218542 | 60 | 226375 | 54 | 229939 | 133 |
| 203200 | 48 | 218544 | 59 | 226376 | 53 | 229942 | 130 |
| 203201 | 37 | 218988 | 82 | 227095 | 19 | 229944 | 131 |
| 203207 | 40 | 218991 | 50 | 227397 | 85 | 229946 | 138 |
| 203272 | 126 | 219451 | 118 | 227398 | 83 | 229947 | 137 |
| 203297 | 98 | 220769 | 24 | 228875 | 80 | 229949 | 76 |
| 203299 | 113 | 221739 | 45 | 229886 | 1 | 229951 | 75 |
| 203323 | 127 | 221742 | 51 | 229887 | 34 | 229952 | 77 |
| 203332 | 72 | 221744 | 62 | 229888 | 35 | 229954 | 142 |
| 203344 | 94 | 221770 | 31 | 229889 | 4 | 229956 | 13 |
| 204270 | 92 | 221771 | 32 | 229892 | 6 | 231416 | 110 |
| 204277 | 86 | 221772 | 33 | 229893 | 3 | 231419 | 117 |
| 204301 | 63 | 221781 | 88 | 229895 | 2 | 231420 | 115 |
| 204303 | 81 | 221809 | 89 | 229897 | 9 | 231430 | 139 |
| 204372 | 29 | 221937 | 90 | 229898 | 7 | 231431 | 136 |
| 204444 | 121 | 221938 | 91 | 229899 | 15 | 231474 | 105 |
| 204461 | 87 | 222089 | 57 | 229900 | 14 | 231945 | 8 |
| 204842 | 38 | 222095 | 20 | 229902 | 10 | 231962 | 69 |
| 207169 | 103 | 222098 | 30 | 229903 | 11 | 231963 | 100 |
| 209964 | 95 | 222201 | 41 | 229904 | 42 | | |
| 210311 | 46 | 222257 | 43 | 229905 | 39 | | |
| 210411 | 18 | 222533 | 36 | 229907 | 5 | | |