



APPLIED POWER
INC.

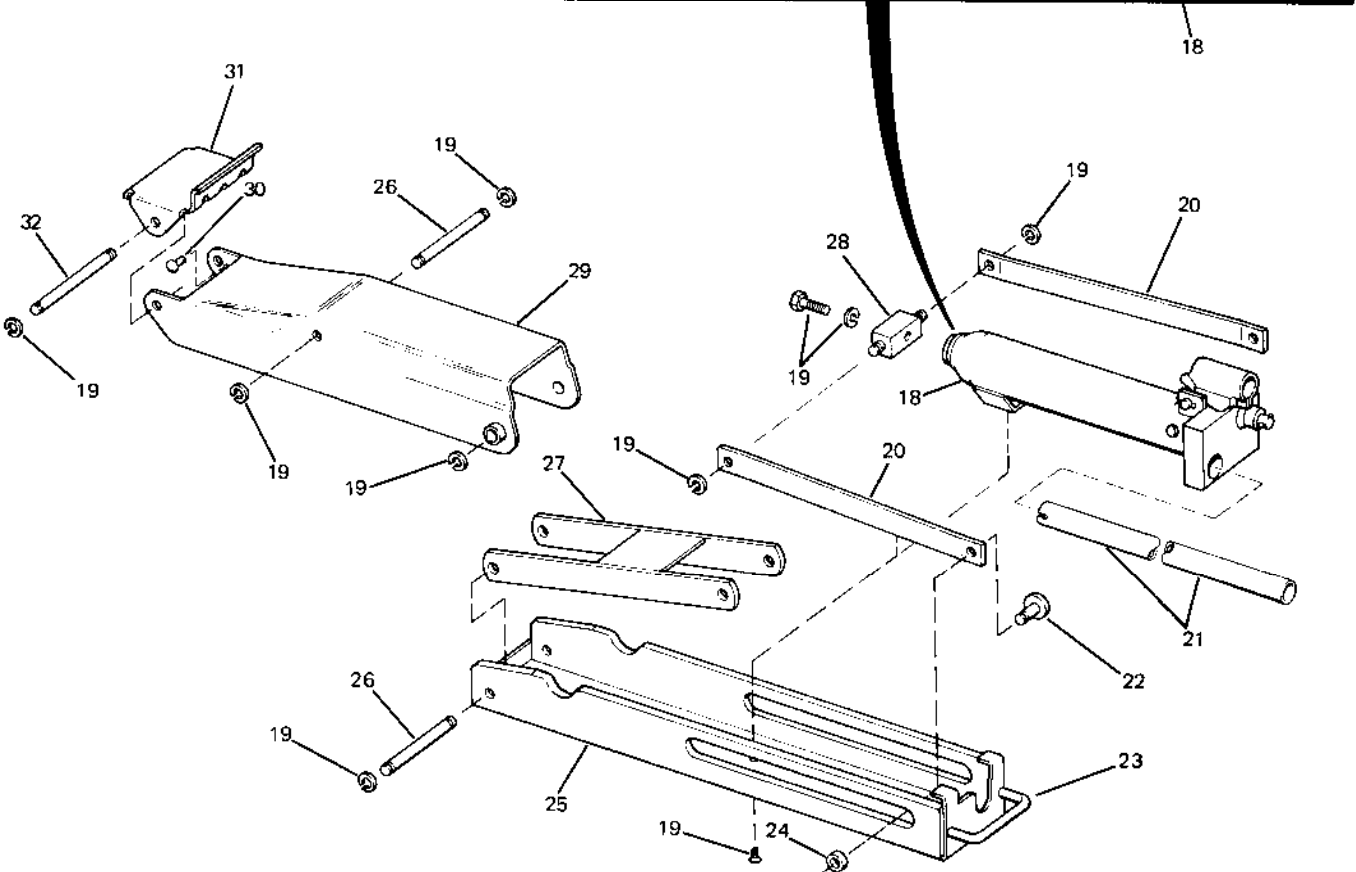
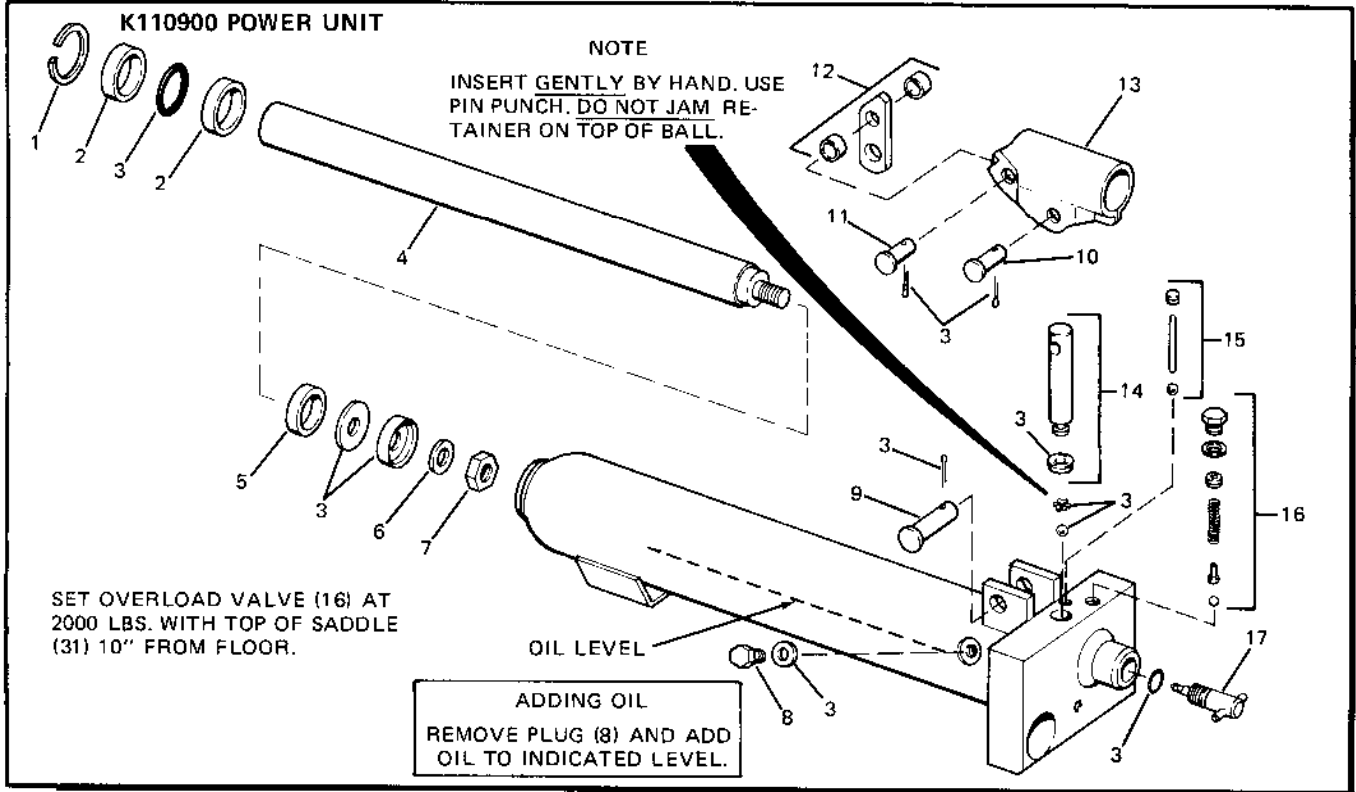
Lifting Equipment

Automotive Product Service Division

MODEL AMERICAN FJ-33
BLACKHAWK SJ-33
SERIAL CODE C

ISSUED NOVEMBER 3, 1975
SUPERSEDES PS-502

PORTABLE SERVICE JACK
CAPACITY: 2000 LBS.



REPAIR PARTS LIST

| Item No. | Part No. | No. Req. | Description |
|--|-----------|----------|----------------------------|
| 1 | K10044 | 1 | Internal Ring |
| 2 | K9044 | 2 | Retaining Ring |
| 3 | SJ33X | 1 | Repair Kit |
| 4 | K20040 | 1 | Plunger |
| 5 | D270044 | 1 | Plunger Ring |
| 6 | AJ100023 | 1 | Washer |
| 7 | AJ100019 | 1 | Nut |
| 8 | A8005006 | 2 | Plug |
| 9 | K60061 | 1 | Clevis Pin |
| 10 | AJ100062 | 1 | Piston Pin |
| 11 | AJ100063 | 1 | Link Pin |
| 12 | U30X16 | 1 | Link Kit (Pak of 2) |
| 13 | AJ100064 | 1 | Beam |
| 14 | K37040 | 1 | Piston w/Cup |
| 15 | U30X17 | 1 | Spacer Kit (Pak of 2) |
| 16 | U30X18 | 1 | Overload Valve |
| 17 | K14010 | 1 | Release Valve |
| 18 | K110900 | 1 | Power Unit |
| 19 | U30X20 | 1 | Hardware |
| 20 | K9062 | 2 | Link |
| 21 | AJ100052C | 1 | Handle |
| 22 | K57061 | 2 | Link Pin |
| 23 | K17070 | 1 | Frame Handle |
| 24 | K2281 | 2 | Roller |
| 25 | K14950 | 1 | Frame |
| 26 | K59061 | 2 | Pin |
| 27 | K4103 | 1 | Pivot Arm |
| 28 | K6132 | 1 | Link Tie Rod |
| 29 | K3103 | 1 | Lift Arm |
| 30 | U30X19 | 1 | Screw (Pak of 20) |
| 31 | K10045 | 1 | Saddle |
| 32 | K73061 | 1 | Saddle Pin |
| 33 | LX21 | | Jack Oil |
| Jack Oil is Available in Quart, Gallon and 5 Gallon Cans | | | |
| 34 | SJ33026X | 1 | Decal Kit (Pak of 1) |
| 35 | SJ33X-1 | 1 | Repair Kit (Series B Only) |
| 36 | SJ33X | | Repair Kit (All Series) |
| 37 | 820-20138 | 1 | Repair Part Sheet |

PANZITTA SALES & SERVICE
 72 George Avenue
 Wilkes-Barre, PA 18705
 570-822-6720 800-822-6720
www.panzittasales.com