



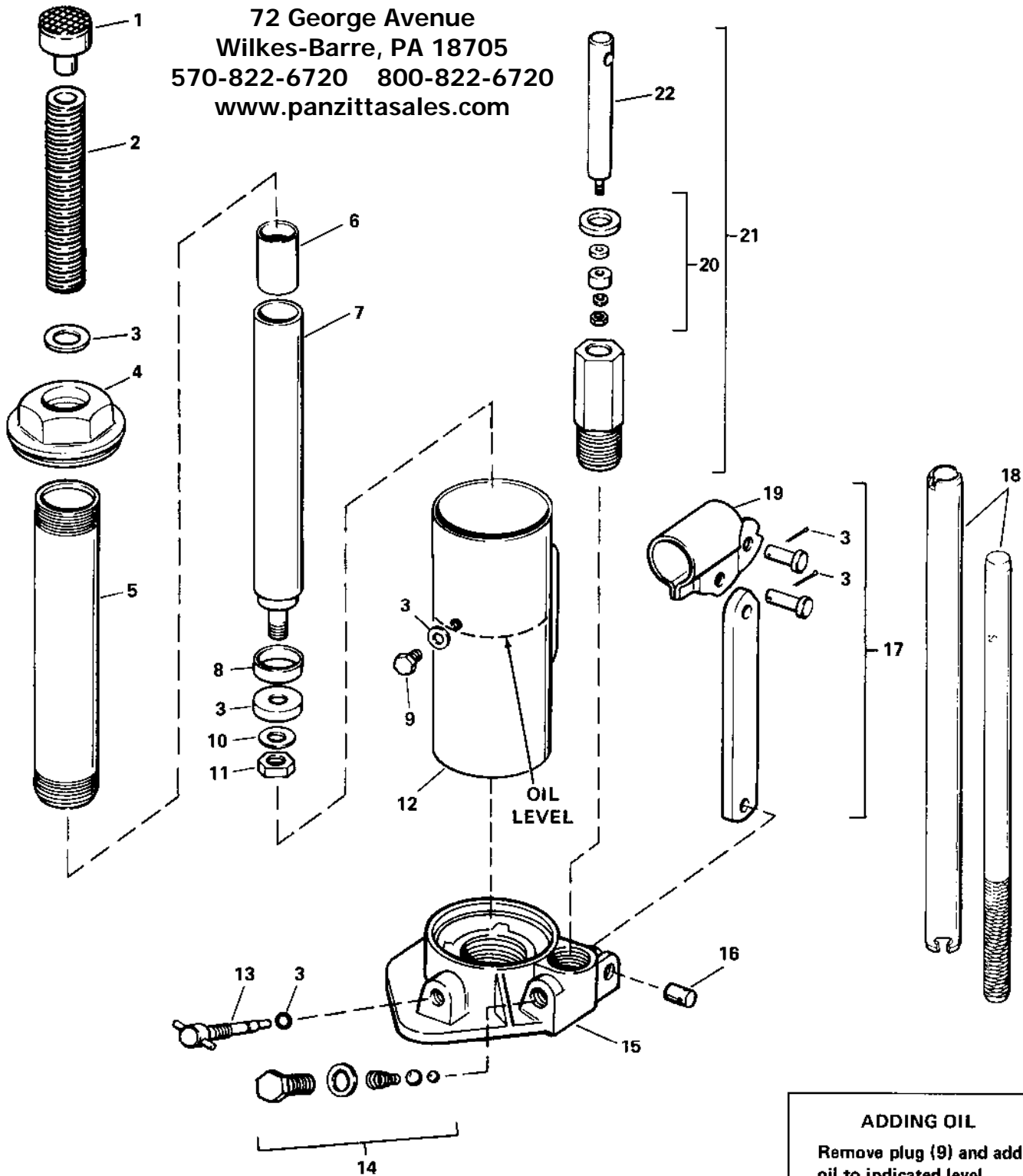
Lifting Equipment

Automotive Product Service Division

MODEL AMERICAN AH-1209D
BEAR 57353
BLACKHAWK D-87H
ISSUED AUGUST 9, 1974
SUPERSEDES PS-520/PS-625

HAND JACK
CAPACITY: 12 TONS

PANZITTA SALES & SERVICE
72 George Avenue
Wilkes-Barre, PA 18705
570-822-6720 800-822-6720
www.panzittasales.com



ADDING OIL
Remove plug (9) and add
oil to indicated level

REPAIR PARTS LIST

Item No.	Part No.	No. Req.	Description
1	KJ100012	1	Saddle
2	KJ100005	1	Adj. Screw
3	D87X2	1	Repair Kit*
4	K519.020	1	Cap
5	KJ100007	1	Cylinder
6	KJ100009	1	Sleeve
7	KJ100019	1	Plunger
8	K525044	1	Ring
9	AJ100060	1	Plug
10	KJ100011	1	Washer
11	KJ100015	1	Nut
12	K553025	1	Reservoir
13	AJ10086	1	Release Valve
14	U30X4	1	Valve Kit
15	KJ100108	1	Base w/Plug
16	K494061	1	Pin (Base)
17	K491900	1	Beam w/Link and Pins
18	H-12	1	Handle
19	AJ100064	1	Beam
20	U30X3	1	Pump Kit
21	K584.900	1	Pump Complete
22	K585040	1	Piston
†23	LX21		Jack Oil (Jack Oil is Available in Quart, Gallon and 5 Gallon Cans)
24	D87026X	1	Decal Kit (Pak of 4)
	K758026X	1	Decal Kit (Pak of 5) American
*25	D87X2	1	Repair Kit
26	820-20030	1	Part Sheet

†Not Shown
*Kit Contains Cups, O-Rings and Gaskets

PANZITTA SALES & SERVICE
 72 George Avenue
 Wilkes-Barre, PA 18705
 570-822-6720 800-822-6720
www.panzittasales.com