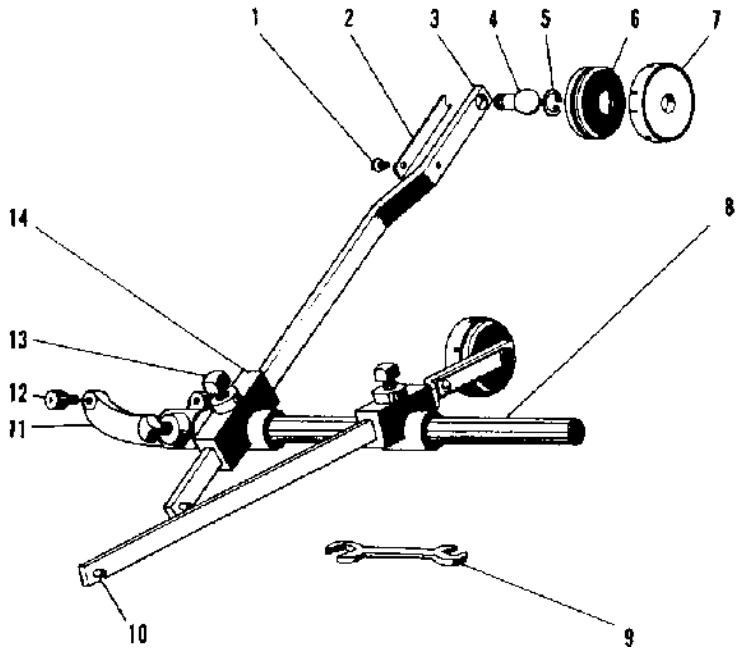


PANZITTA SALES & SERVICE
 72 George Avenue
 Wilkes-Barre, PA 18705
 570-822-6720 800-822-6720
 www.panzittasales.com

REPLACEMENT PARTS



ITEM	PART NO.	QTY.	DESCRIPTION
1	6716	2	Screw
2	10276	2	Spring
3	10605	2	Arm
4	10279	2	Connector
5	6993	2	Ring, Snap
6	10280	2	Wheel
7	9183	2	Pad (Set of 2)
8	10277	1	Rod
9	3218	1	Wrench
10	6106	2	Pin
11	10283	1	Bracket
12	3319	2	Screw
13	3216	3	Screw, Set
14	10282	2	Link

7075 FRICTION SILENCER.max